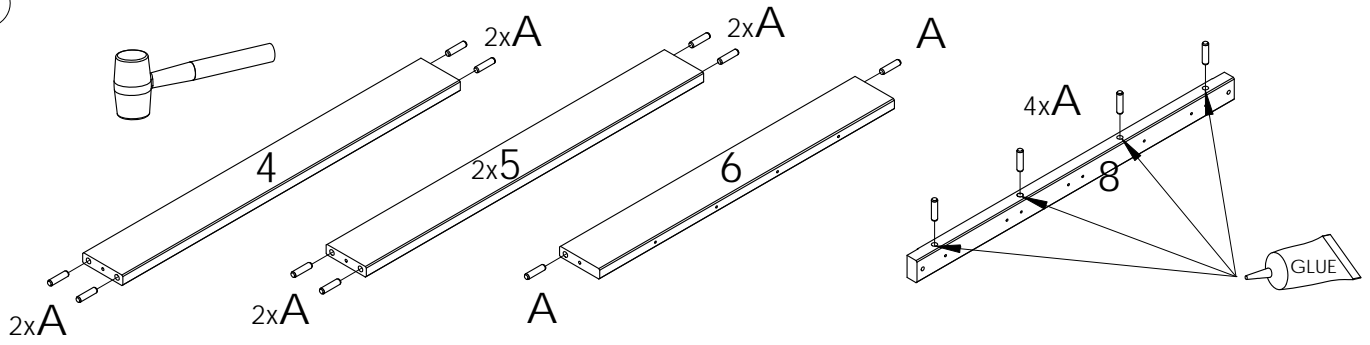


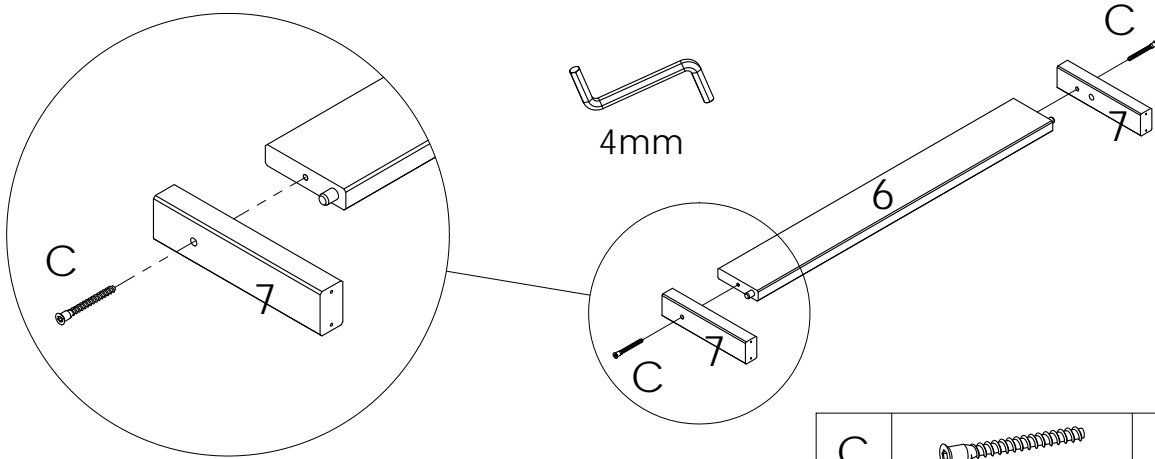
| | | | |
|---|--|--------|-----|
| A | | 10x40 | x18 |
| B | | 7x50 | x6 |
| C | | 7x60 | x4 |
| D | | 5x38 | x24 |
| E | | 5x50 | x2 |
| F | | D19x6 | x2 |
| G | | D19x16 | x2 |
| H | | D6x70 | x2 |
| J | | D26 | x2 |
| K | | 3,5x16 | x9 |
| L | | D4x13 | x6 |
| M | | 4mm | x1 |
| N | | GLUE | x1 |

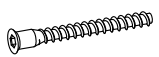
1



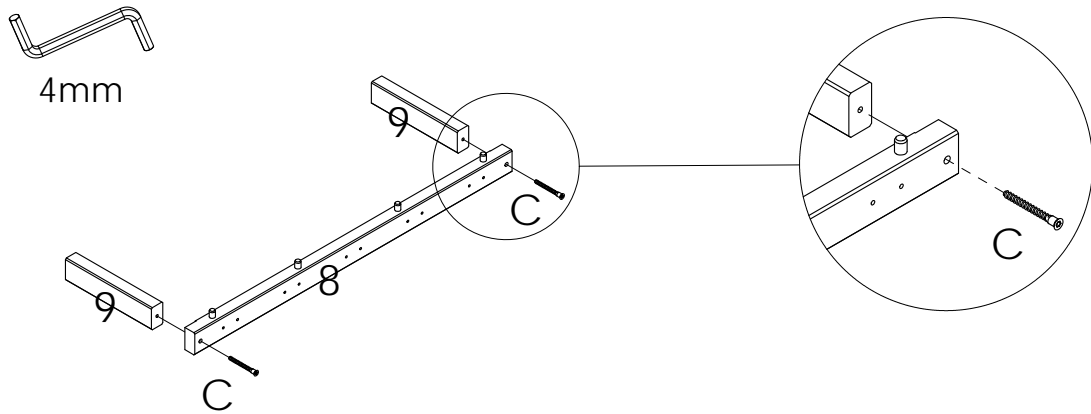
| | | | |
|---|-------------------------------------------------------------------------------------|-------|-----|
| A |  | 10x40 | x18 |
|---|-------------------------------------------------------------------------------------|-------|-----|


2



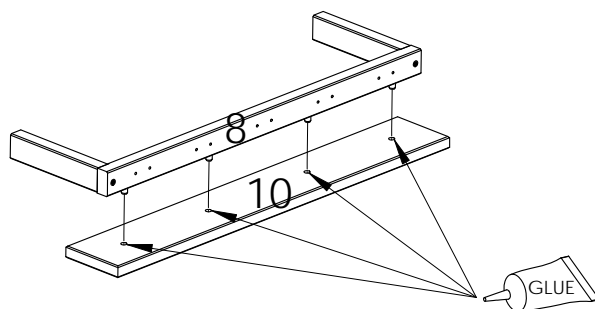
| | | | |
|---|--------------------------------------------------------------------------------------|------|----|
| C |  | 7x60 | x2 |
|---|--------------------------------------------------------------------------------------|------|----|

3

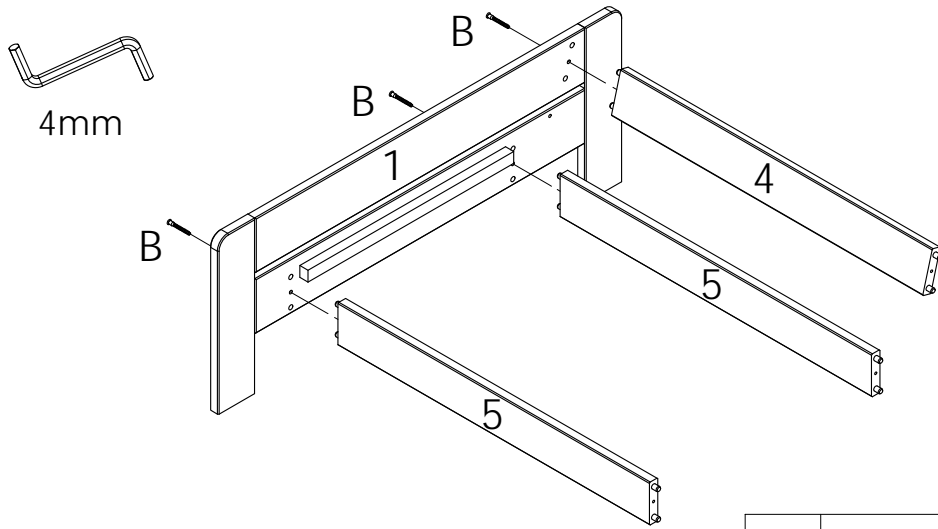



| | | | |
|---|---------------------------------------------------------------------------------------|------|----|
| C |  | 7x60 | x2 |
|---|---------------------------------------------------------------------------------------|------|----|

4

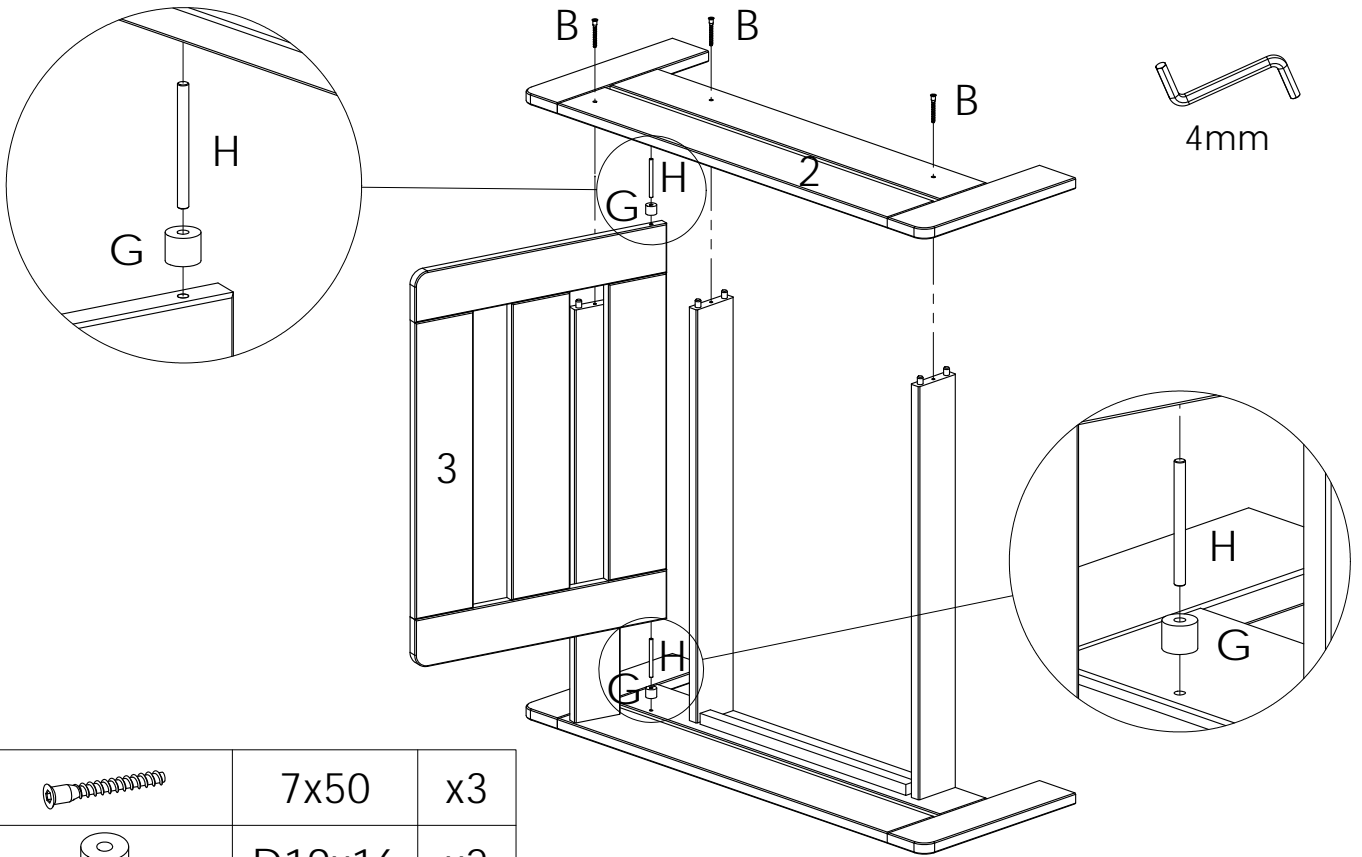





5



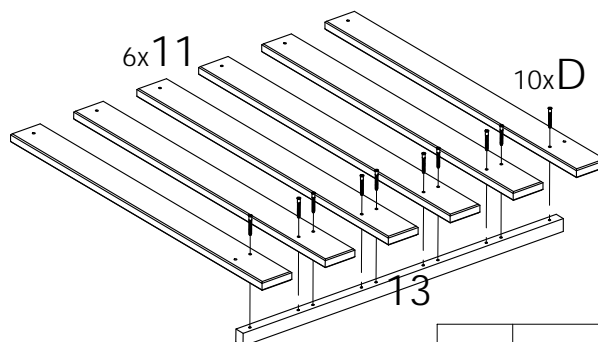
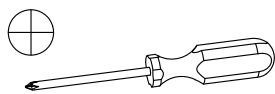
| | | | |
|---|-------------------------------------------------------------------------------------|------|----|
| B |  | 7x50 | x3 |
|---|-------------------------------------------------------------------------------------|------|----|


6



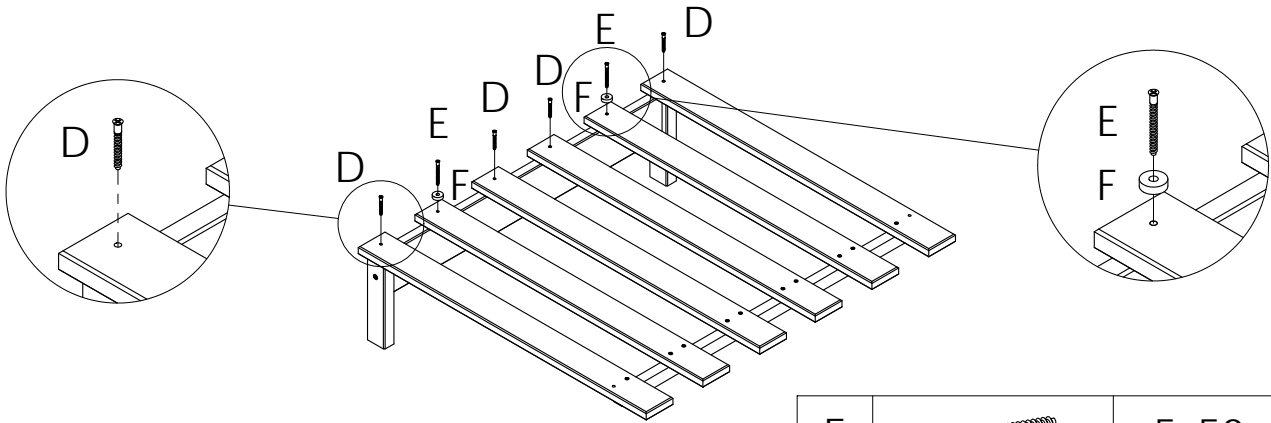
| | | | |
|---|-------------------------------------------------------------------------------------|--------|----|
| B |  | 7x50 | x3 |
| G |  | D19x16 | x2 |
| H |  | D6x70 | x2 |

7





| | | | |
|---|---------------------------------------------------------------------------------------|------|-----|
| D |  | 5x38 | x10 |
|---|---------------------------------------------------------------------------------------|------|-----|

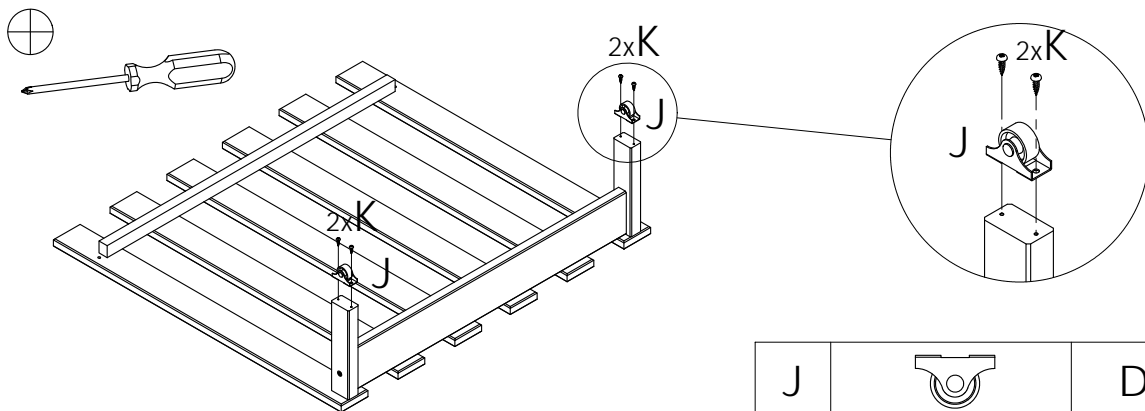
8





| | | | |
|---|-----------------------------------------------------------------------------------|------|----|
| D |  | 5x38 | x4 |
|---|-----------------------------------------------------------------------------------|------|----|

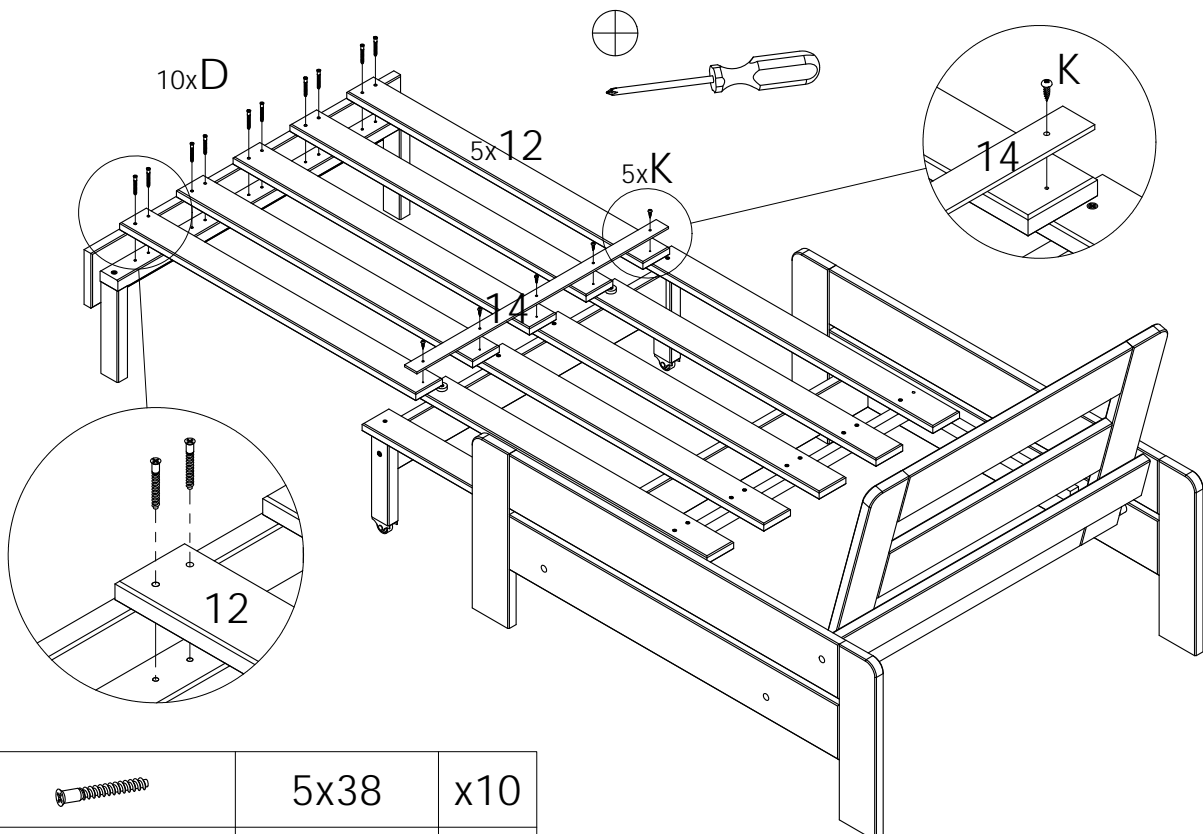
| | | | |
|---|-------------------------------------------------------------------------------------|-------|----|
| E |  | 5x50 | x2 |
| F |  | D19x6 | x2 |



9



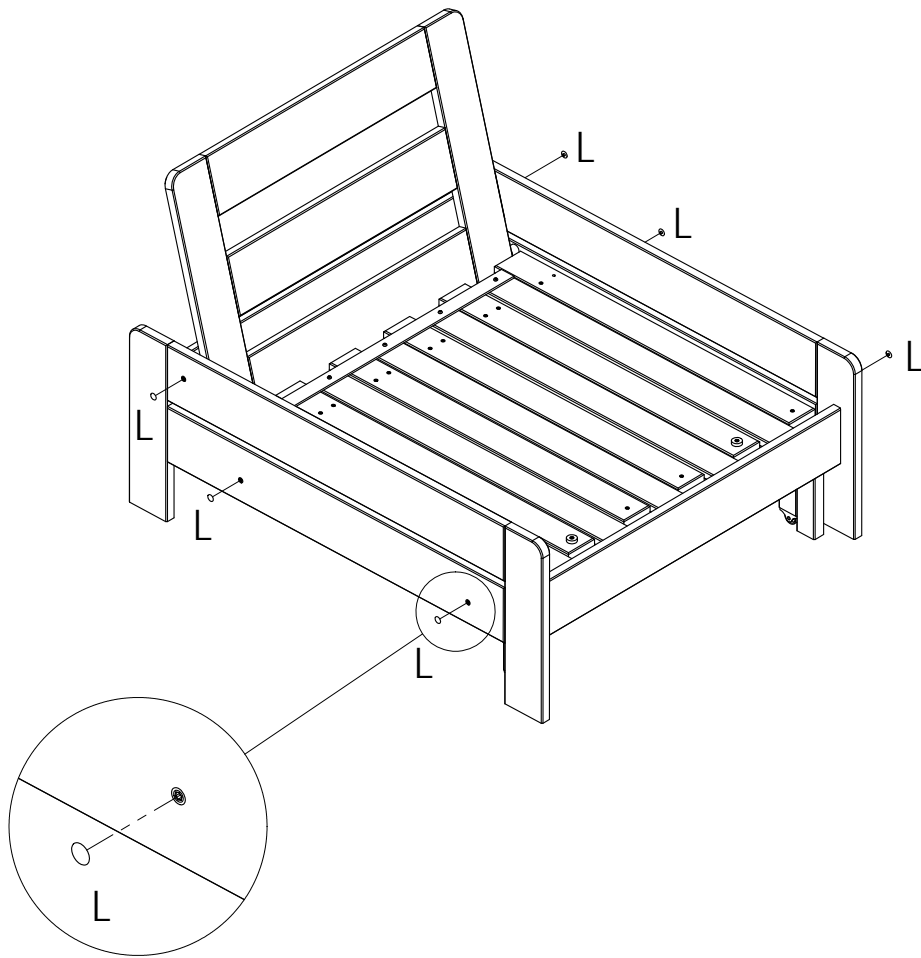
| | | | |
|---|---------------------------------------------------------------------------------------|--------|----|
| J |  | D26 | x2 |
| K |  | 3,5x16 | x4 |

10



| | | | |
|---|-------------------------------------------------------------------------------------|--------|-----|
| D |  | 5x38 | x10 |
| K |  | 3,5x16 | x5 |

11



L



D4x13

x6