





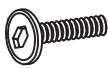

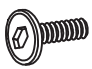
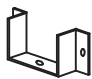


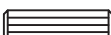

IMPORTANT – READ CAREFULLY – RETAIN FOR FUTURE REFERENCE

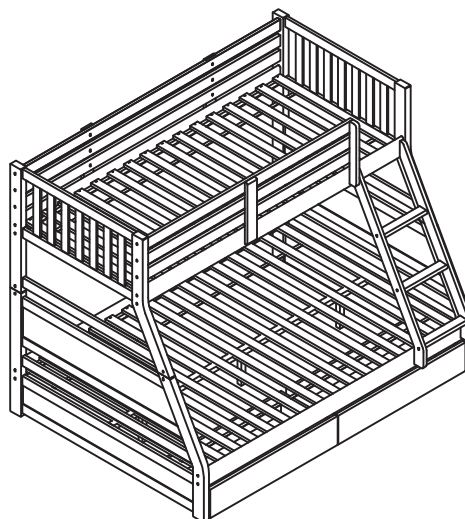
- A) **WARNING** – The upper bed of bunk beds are not suitable for children under six years old due to the risk of injury from falls.
- B) **WARNING** – Bunk beds can present a serious risk of injury from strangulation if not used correctly. Never attach or hang items to any part of the bunk bed that are not designed to be used with the bed, for example, but not limited to ropes, strings, cords, hooks, belts and bags.
- C) **WARNING** – children can become trapped between the bed and the wall, a roof pitch, the ceiling, adjoining pieces of furniture (e.g. cupboards) and the like. To avoid risk of serious injury the distance between the top safety barrier and the adjoining structure shall not exceed 75mm or shall be more than 230mm.
- D) **WARNING** – Do not use the bunk bed if any structural part is broken or missing.
- E) Always follow the manufacturer's instruction.
- F) Recommended size of mattress: upper bed: 90 x 190cm and lower bed: 135 x 190cm
- G) Maximum thickness of mattress 20cm.
- H) Periodically check and ensure that the guardrails, ladder, and other components are in their proper position, free from damage. Also, make sure the connectors are tight and secure.
- I) Ventilation of the room is necessary in order to keep the humidity low and to prevent mould in and around the bed
- J) This item meets the test standards BS EN747:2012 + A1:2015

ASSEMBLY INSTRUCTIONS

TRIPLE BUNK BED WITH 2 DRAWER

HARDWARE LIST

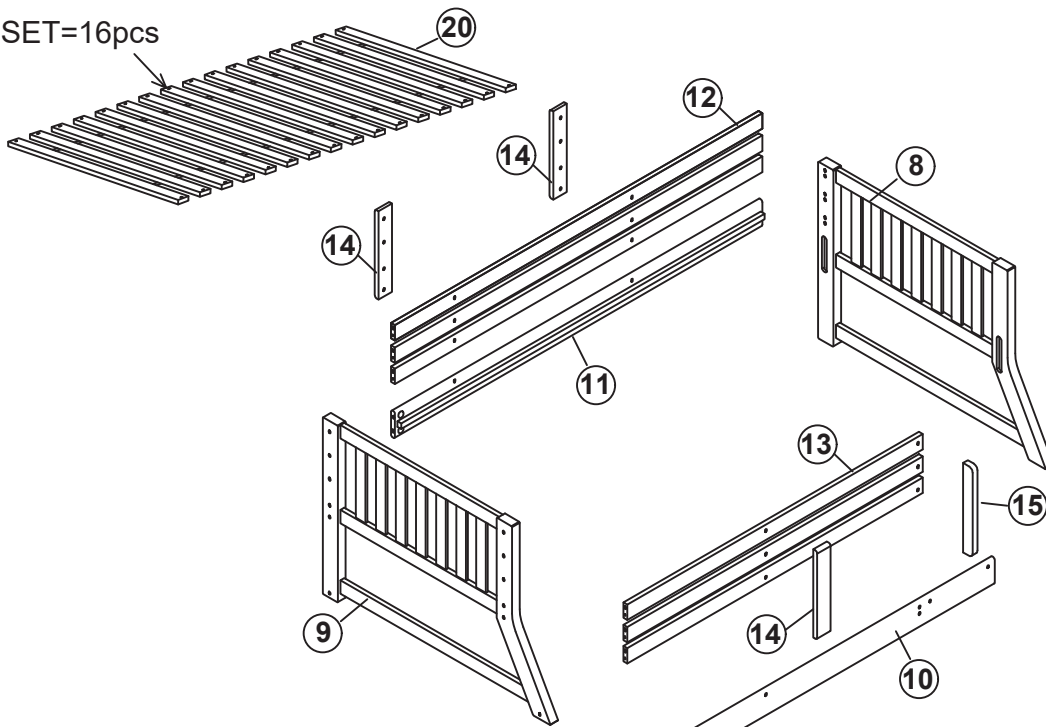
A		1/4 x 80 – JCBC BOLT	16
B		HALF MOON WASHER	16
C		7.0 x 60 – JCBC BOLT	09
D		7.0 x 50 – JCBC BOLT	06
E		1/4 x 32 – JCBC BOLT	24
F		10 x 80 – NUTS	04
G		1/4 x 25 – JCBC BOLT	08
H		CENTRE RAIL SUPPORT	02
I		4 x 30 – SCREWS	80
J		4 x 15 – SCREWS	06
K		8 x 30 – WOOD DOWEL	09
L		ALLEN KEY	01



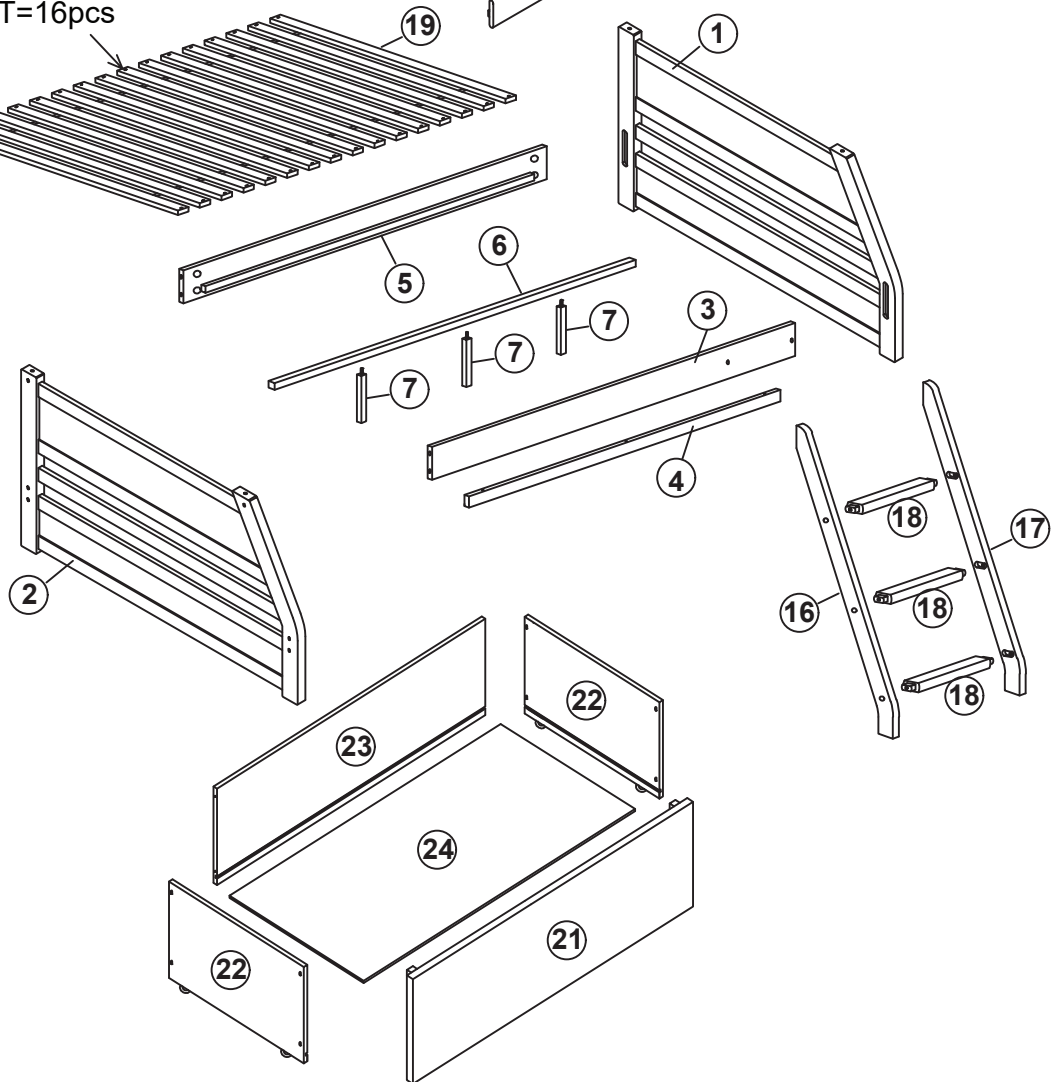
ASSEMBLY INSTRUCTIONS

TRIPLE BUNK BED WITH 2 DRAWER

1 SET=16pcs

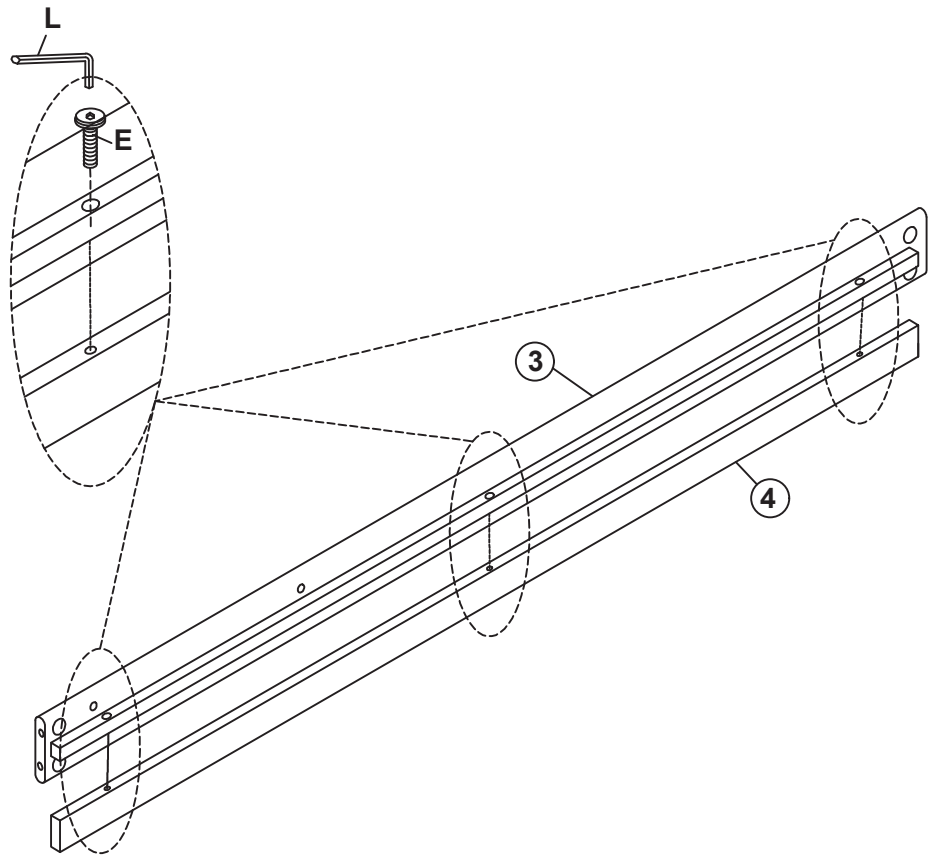


1 SET=16pcs

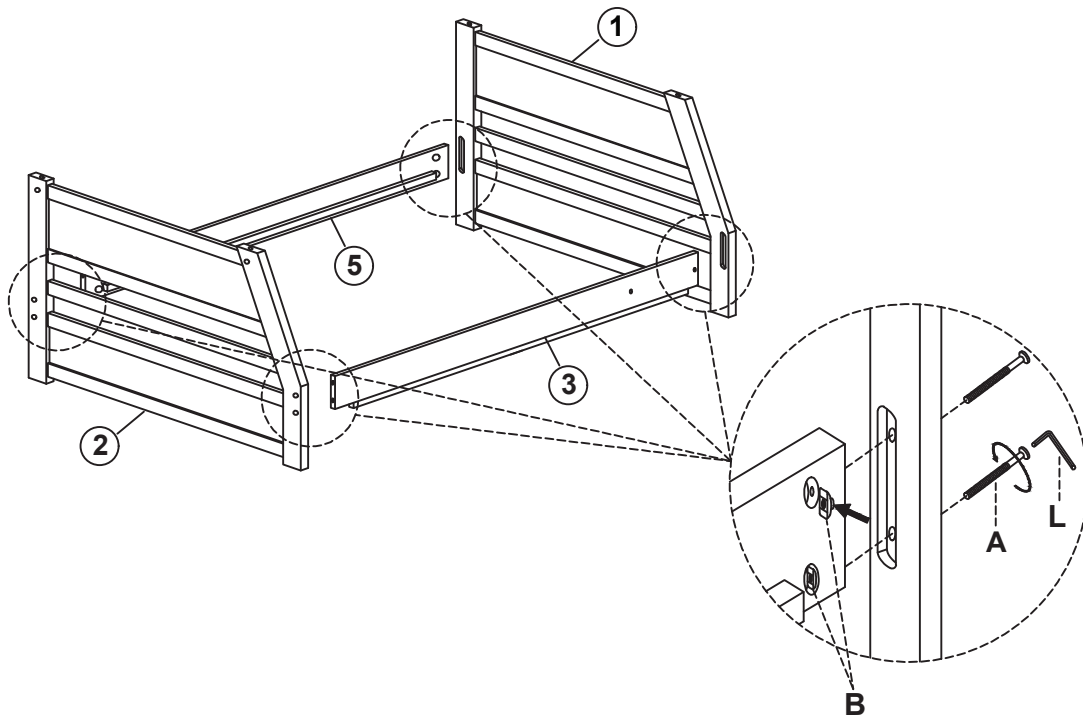


ASSEMBLY INSTRUCTIONS

TRIPLE BUNK BED WITH 2 DRAWER



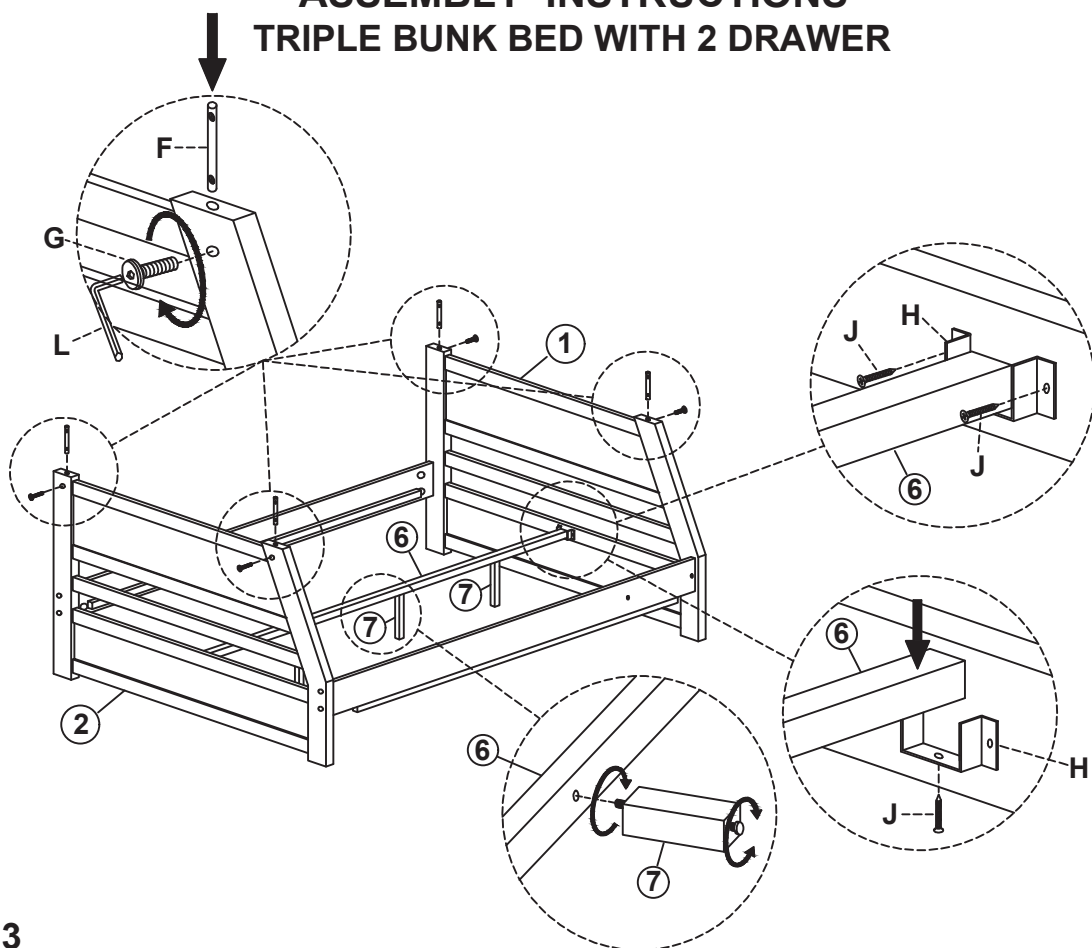
STEP 1



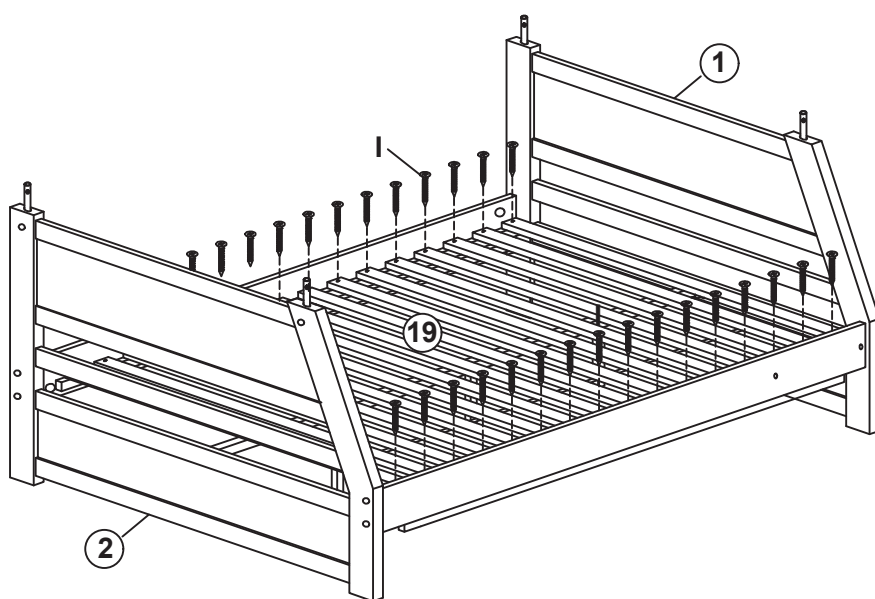
STEP 2

ASSEMBLY INSTRUCTIONS

TRIPLE BUNK BED WITH 2 DRAWER



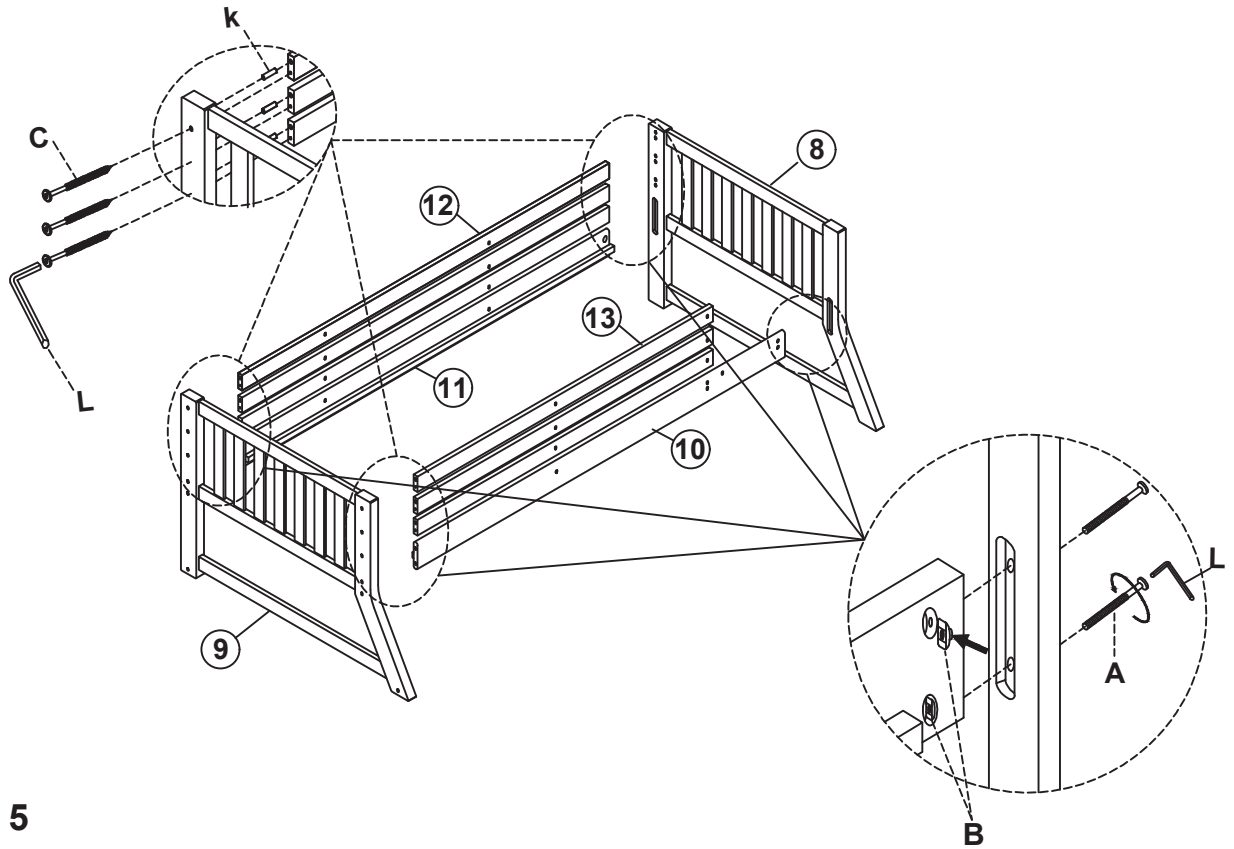
STEP 3



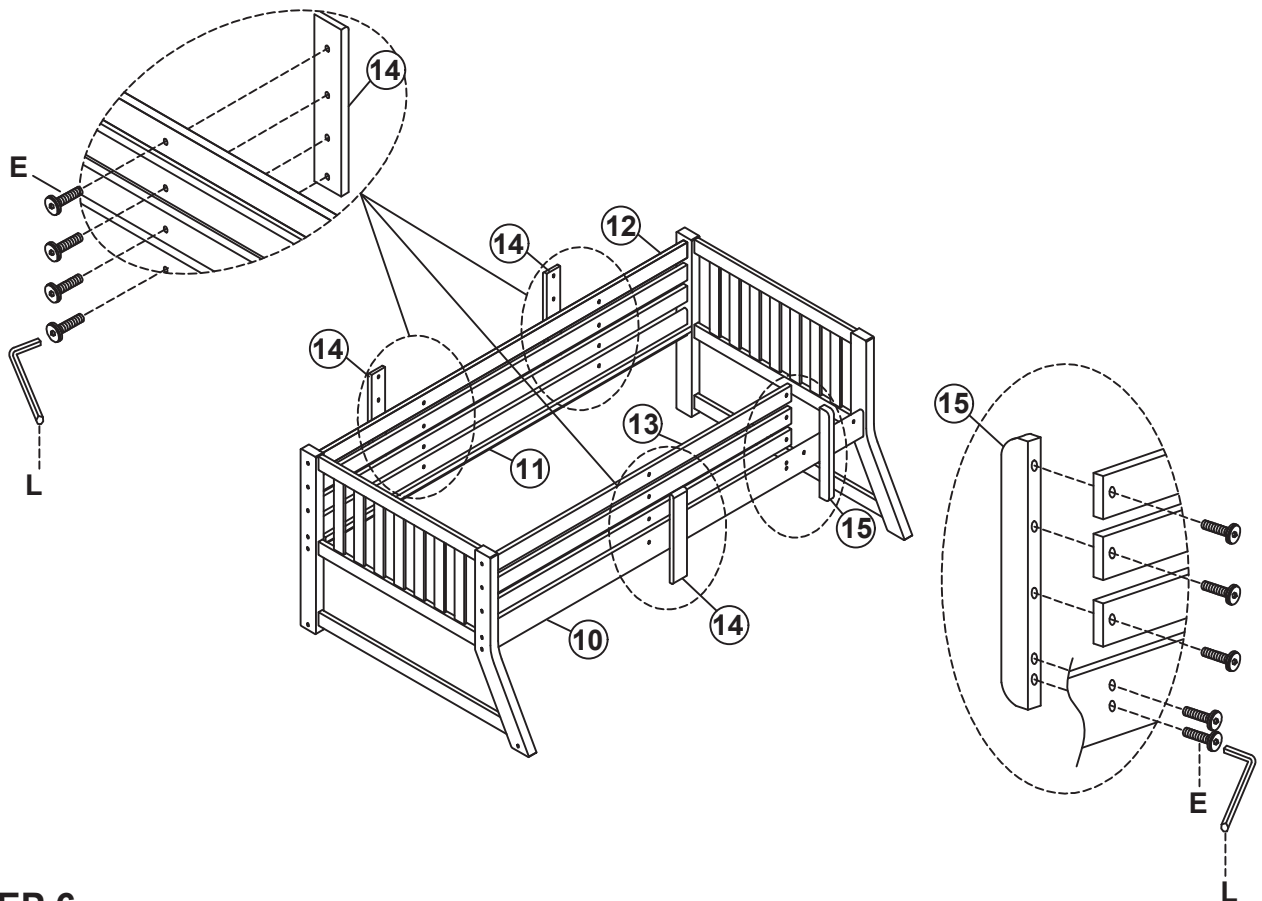
STEP 4

ASSEMBLY INSTRUCTIONS

TRIPLE BUNK BED WITH 2 DRAWER



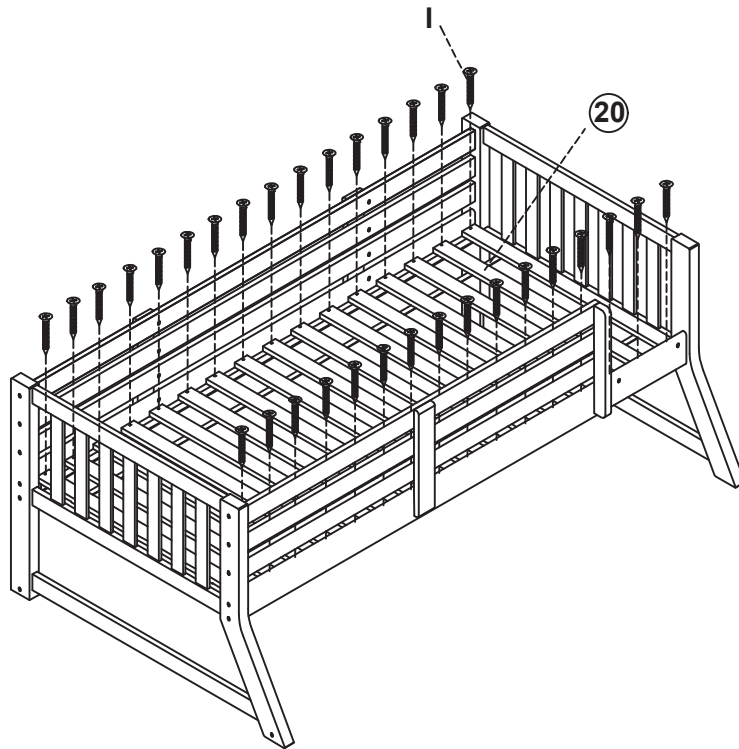
STEP 5



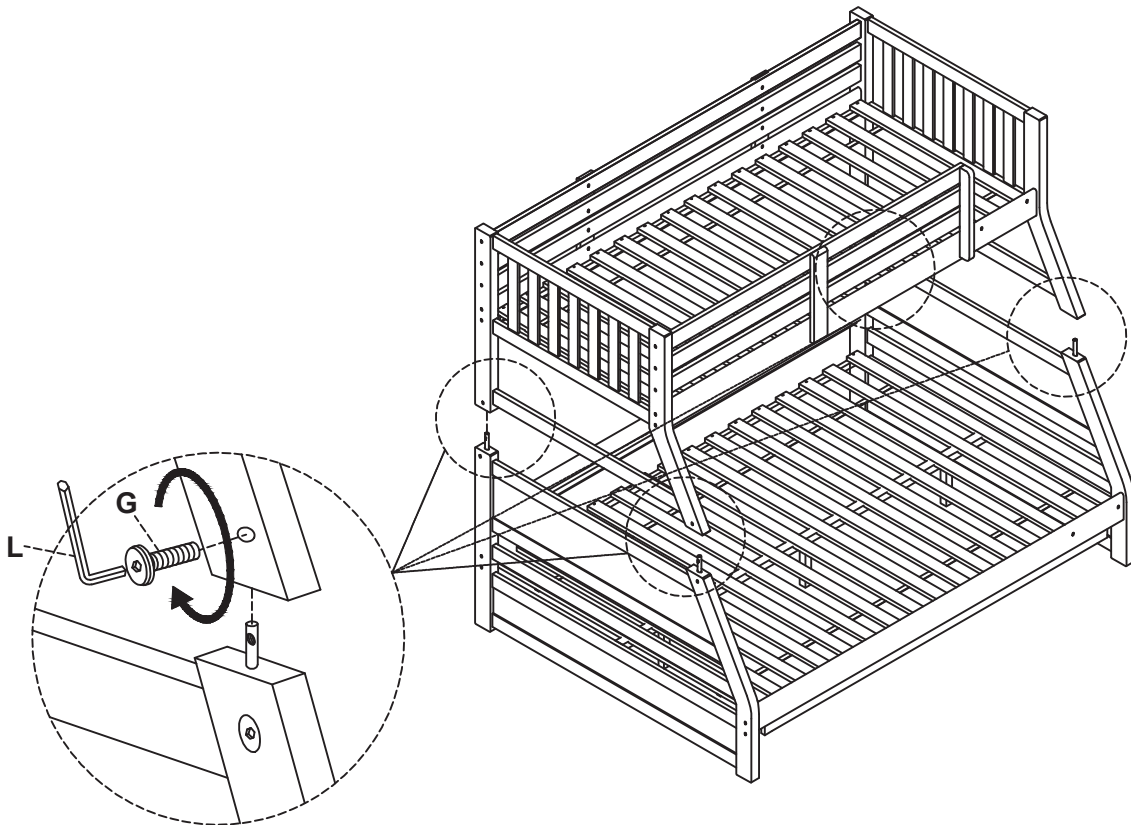
STEP 6

ASSEMBLY INSTRUCTIONS

TRIPLE BUNK BED WITH 2 DRAWER



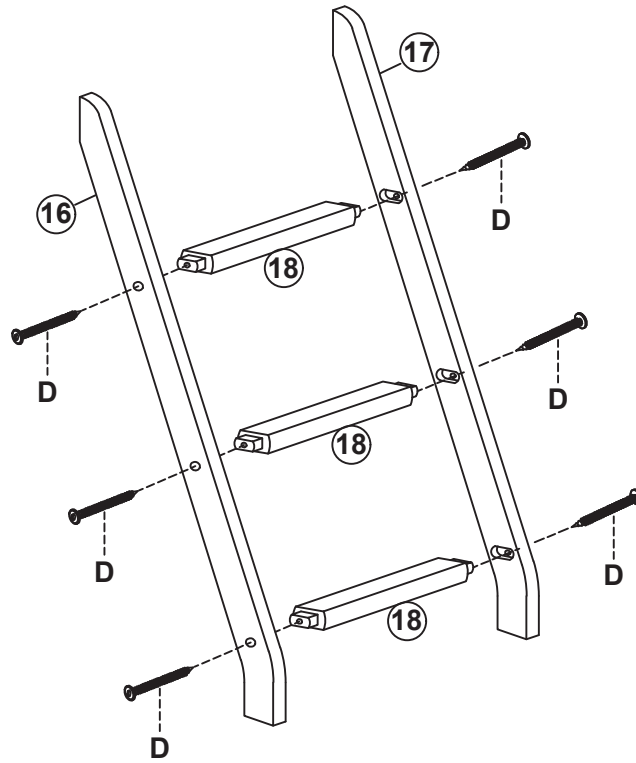
STEP 7



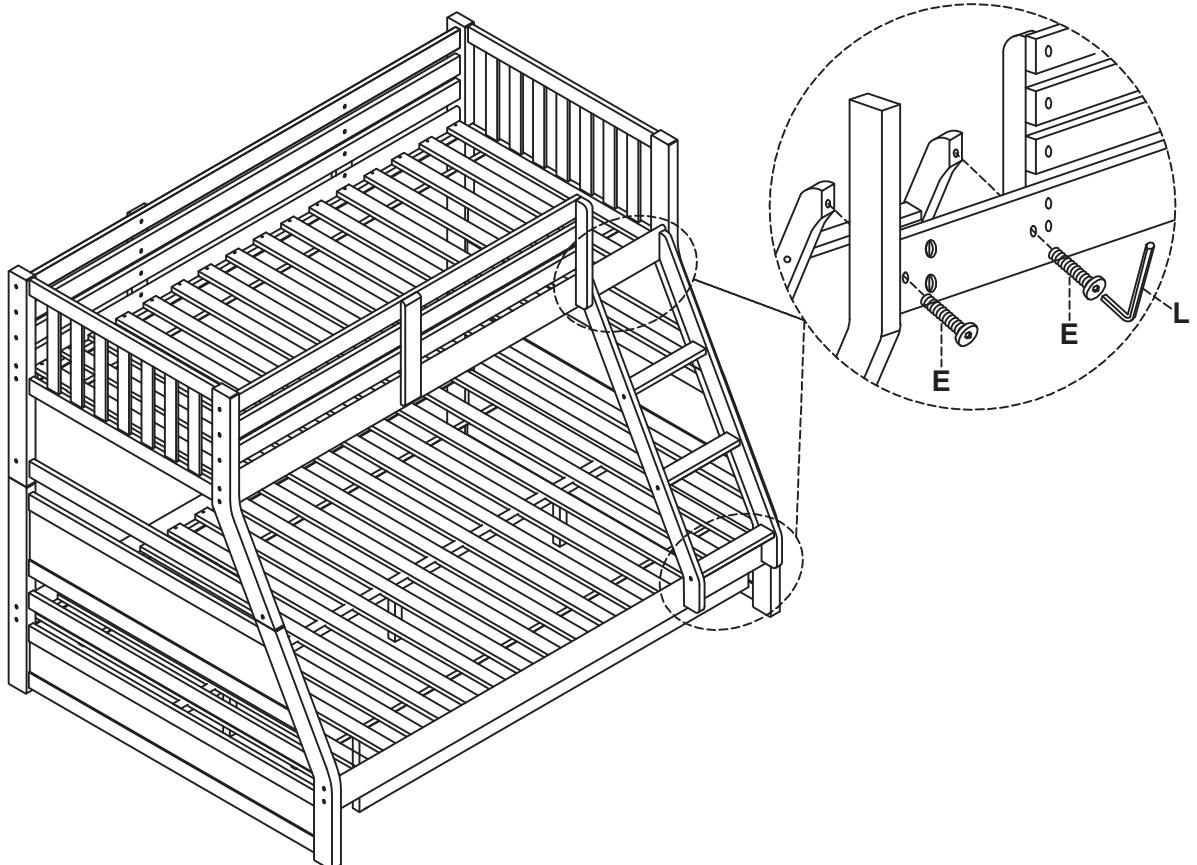
STEP 8

ASSEMBLY INSTRUCTIONS

TRIPLE BUNK BED WITH 2 DRAWER



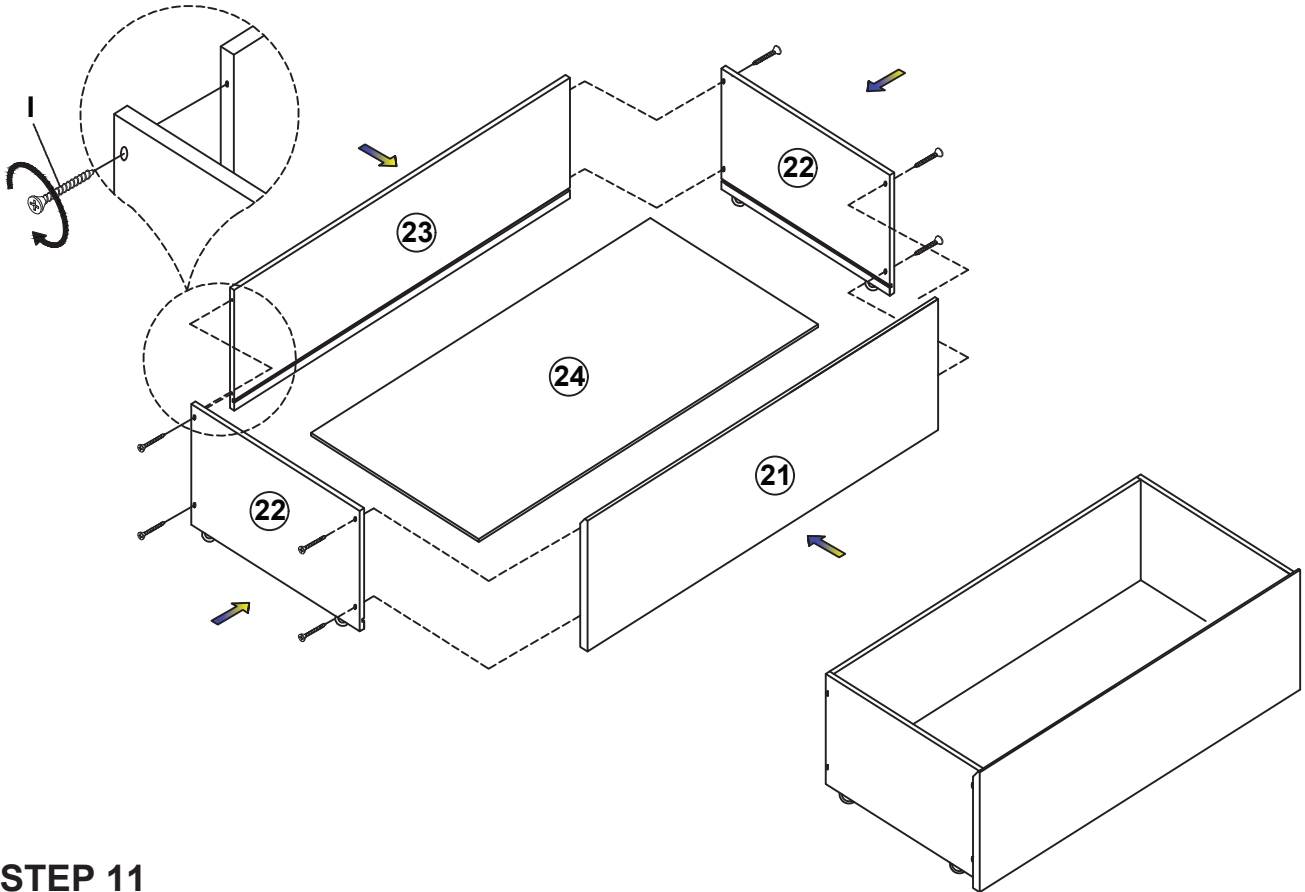
STEP 9



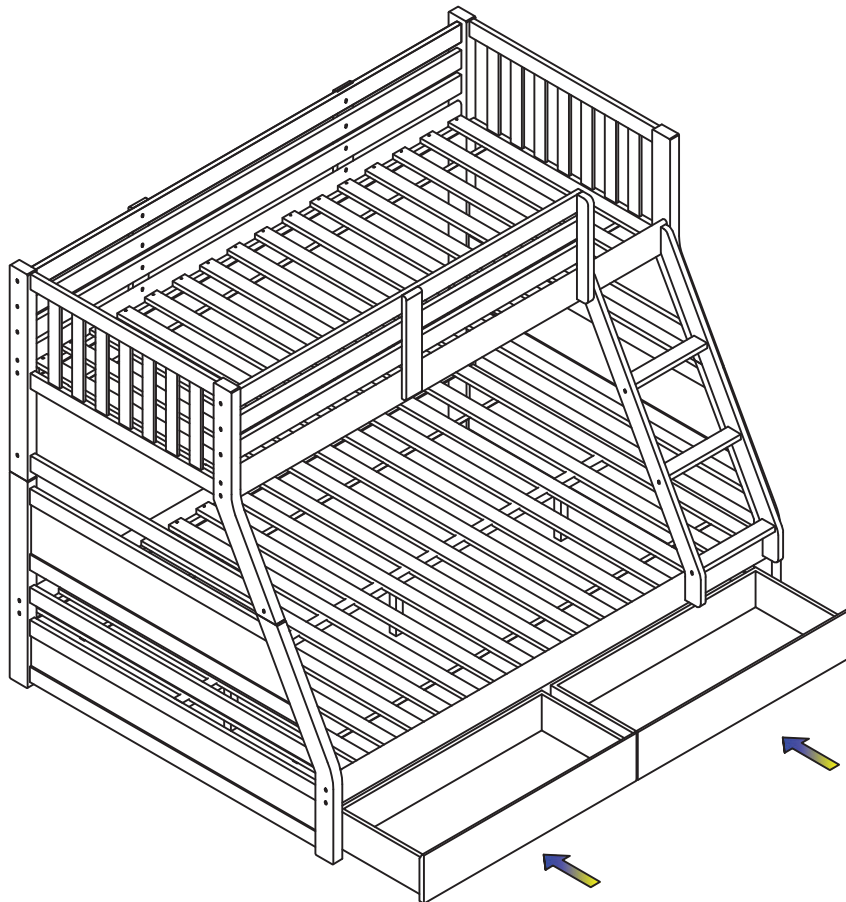
STEP 10

ASSEMBLY INSTRUCTIONS

TRIPLE BUNK BED WITH 2 DRAWER



STEP 11



STEP 12