
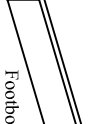

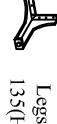








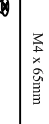


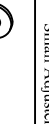
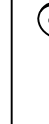
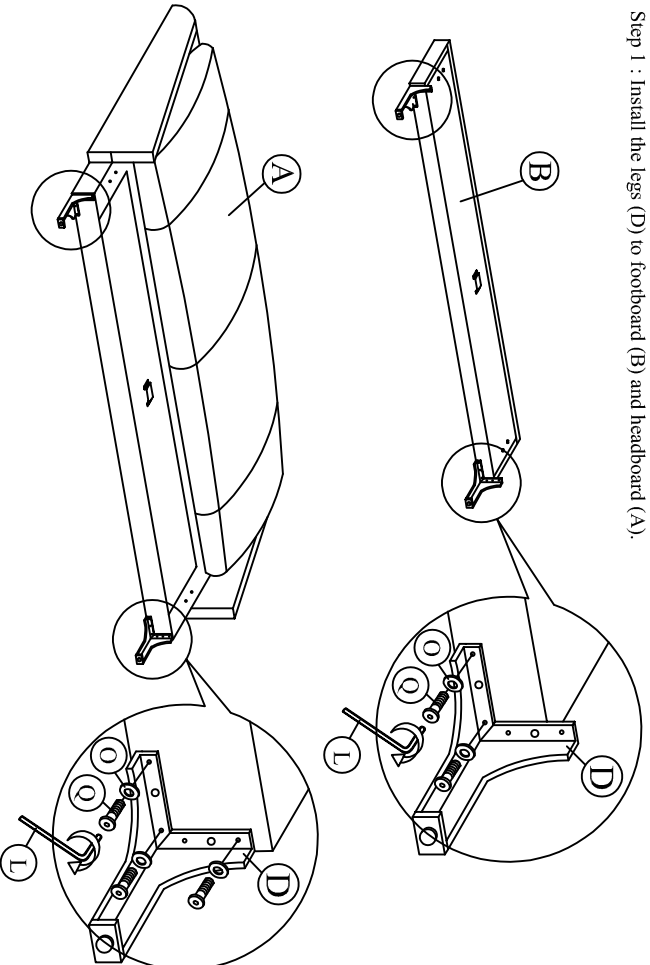


ASSEMBLY INSTRUCTION

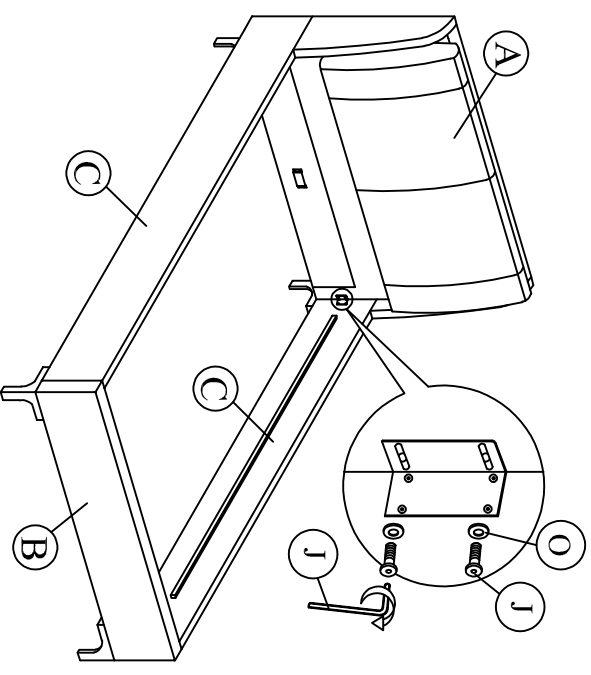
MODEL : CF 9294 (5)

A		1 pc
B		1 pc
C		2 pcs
D		4 pcs
E		1 pc
F		2 pcs
G		28 pcs
H		14 pcs
I		28 pcs
J		8 pcs
K		6 pcs
L		1 pc
M		2 pcs
N		2 pcs
O		22 pcs
P		4 pcs
Q		10 pcs

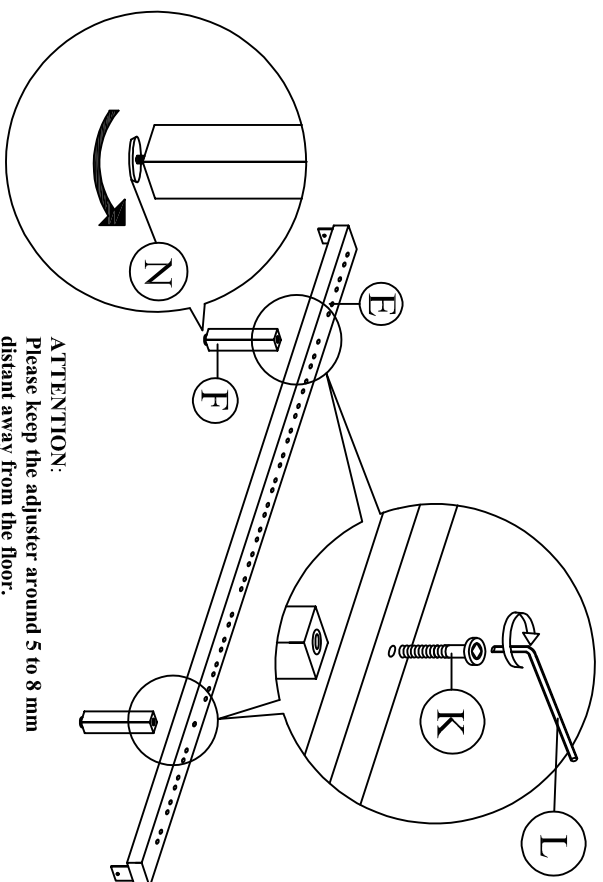
Step 1 : Install the legs (D) to footboard (B) and headboard (A).



Step 2 : Attach side rail (C) to footboard (B) and headboard (A) by pushing the bracket down to fit it.

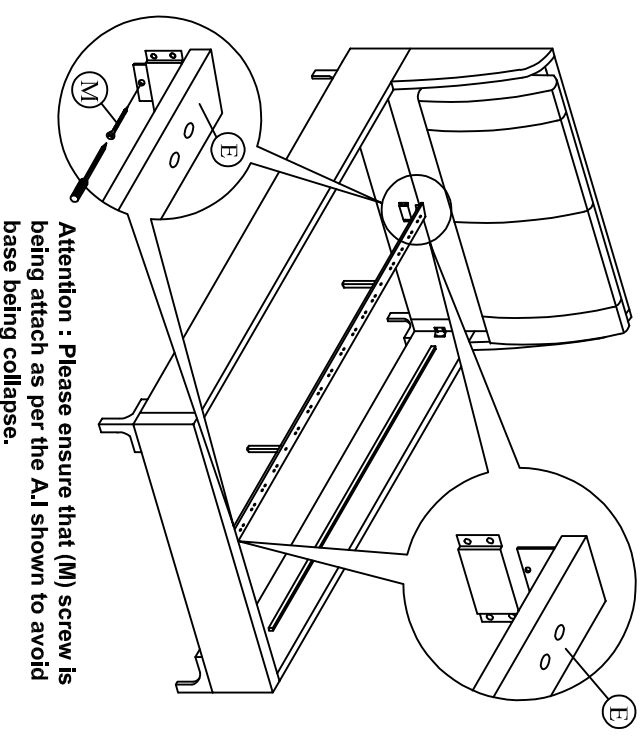


Step 3 : Attach the support legs (F) to the center rail (E) of the bed as shown.



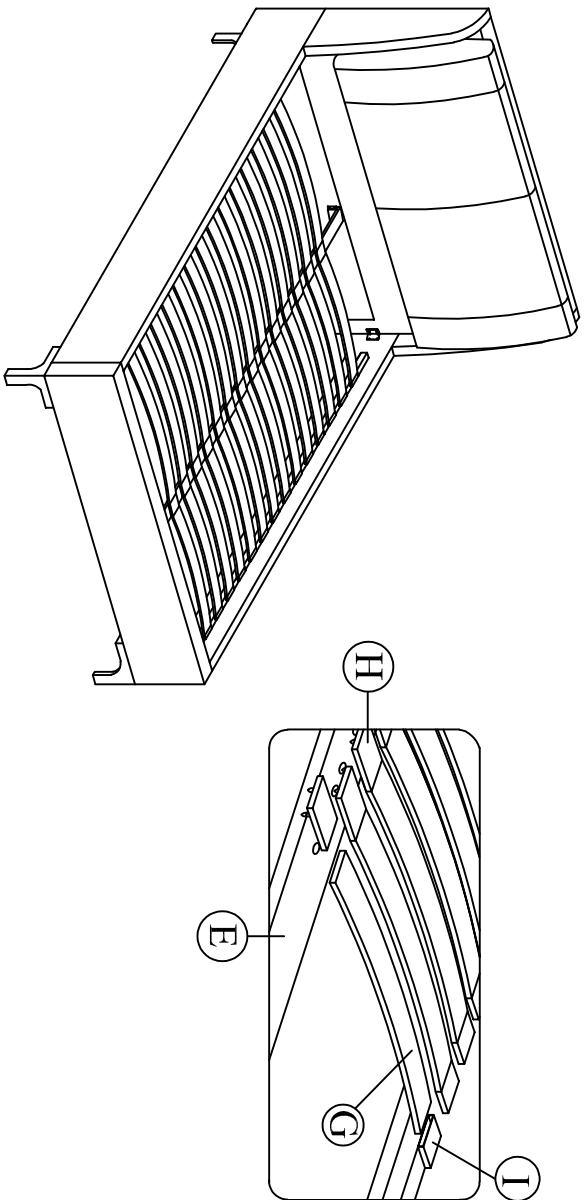
ATTENTION:
Please keep the adjuster around 5 to 8 mm distant away from the floor.

Step 4 : Slide the center rail (E) to the headboard (A) and footboard (B). Tighten screws (M) using screwdriver (not included) to the headboard (A) and footboard (B).

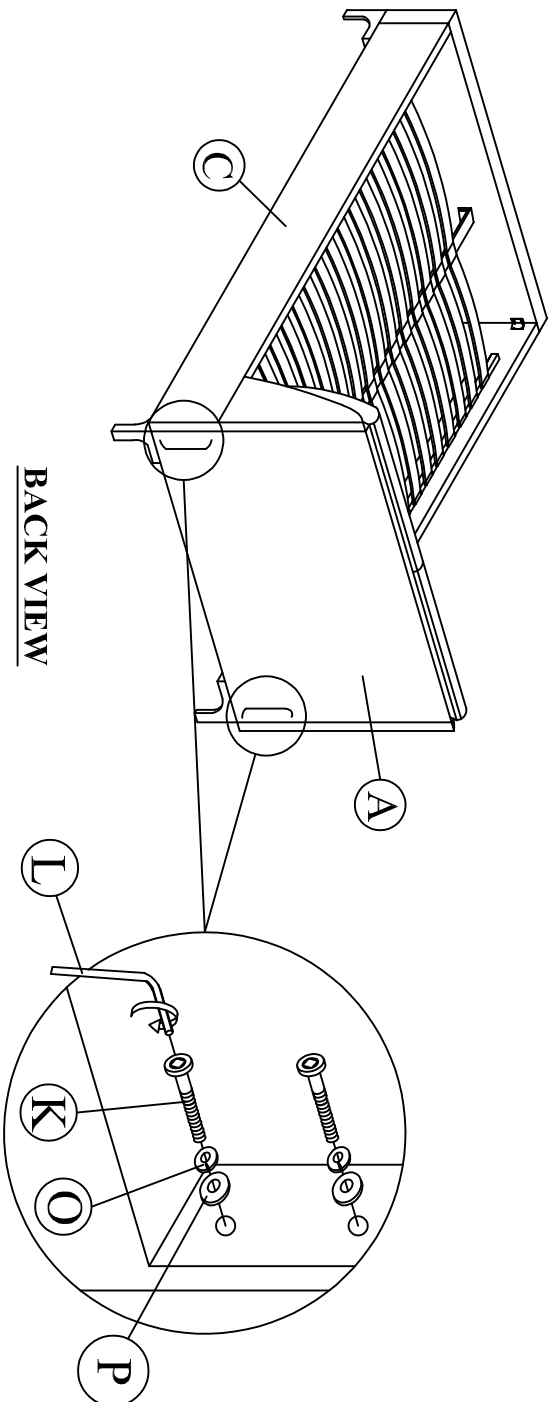


Attention : Please ensure that (M) screw is being attach as per the A.I shown to avoid base being collapse.

Step 5 : Affix the Slat (G) to the side rail support wood and the center rail (E). Tighten all the 4 corner.



Step 6 : Tighten the headboard (A) back to side rail (C) to as shown.



BACK VIEW