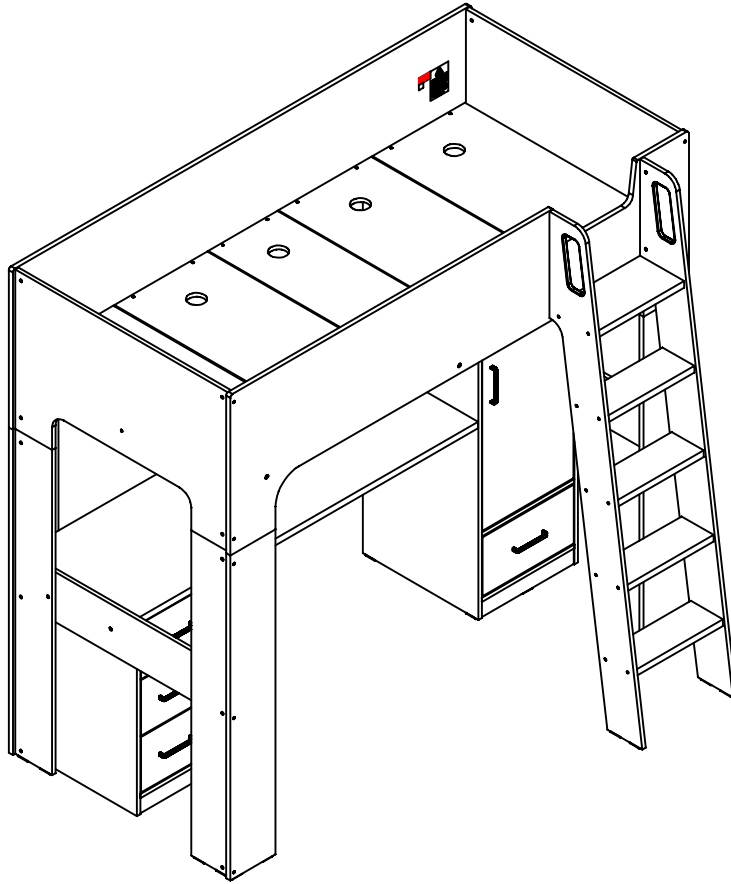


# Model : Eden High Sleeper

## Product Size : 920 x 1930mm (Base Int Size)

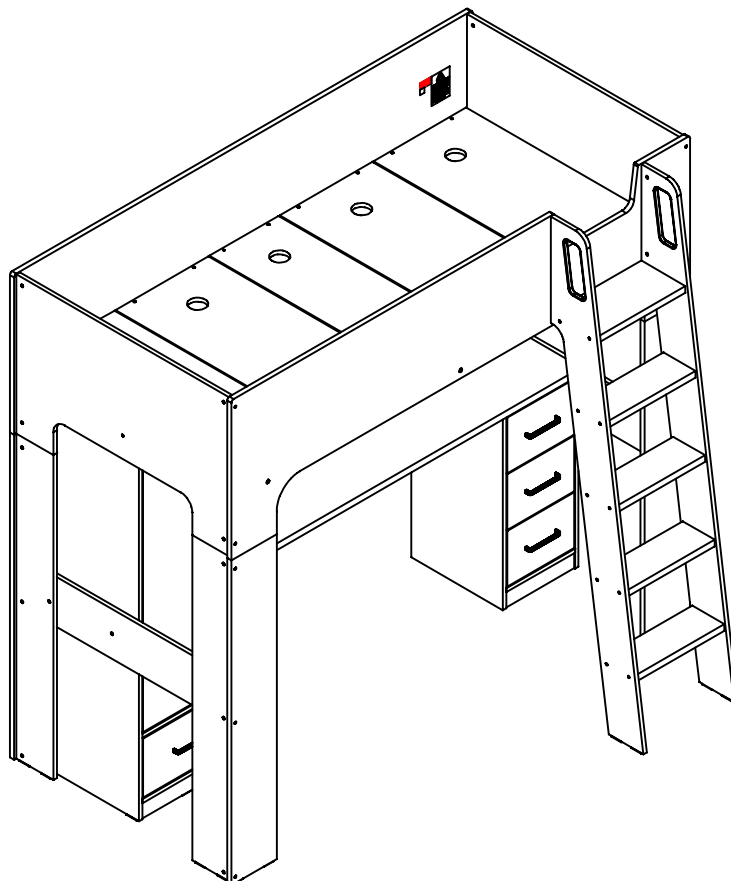
Thank you for purchasing this product. Before starting assembly we suggest you spend a short time reading through this leaflet, then follow the simple step by step guide. Two people are needed to assemble this product.

### Option A



Page 1 - 39

### Option B



Page 1 - 23  
Page 40 - 55

# Model : Eden High Sleeper

## Product Size : 920 x 1930mm (Base Int Size)

### **IMPORTANT- READ CAREFULLY- RETAIN FOR FUTURE REFERENCE**

#### **TOP TIPS BEFORE YOU START !**

1. Please check that all parts & hardware are present before you start the assembly of your furniture.
2. For ease and speed of assembly, we recommend that before you commence each step of the assembly, Please identify all the parts required for that step.
3. We recommend that where possible, all items are assembled near to the area in which they will be placed in use, to avoid moving the product unnecessarily once assembled.
4. For the protection of your furniture, particularly items of high gloss finish, we recommend that the product is placed on a Protected surface during assembly to prevent any damage.
5. During assembly please take care not to over-tighten any fittings, as this may damage the product.

#### **CARE AND MAINTENANCE OF YOUR FURNITURE**

1. Please periodically check all fittings and re-tighten as necessary.
2. To clean your item, please use a damp cloth and wipe clean.
3. Never allow any kind of liquid to remain on your furniture. Absorption can cause wood to warp or finishes to de-laminate.
4. Please do not place hot items (e.g hot drinks) directly on the wood surface.
5. Please do not drag or pull your furniture.

#### **IMPORTANT INFORMATION**

1. The recommended size of mattress: (W) 90cm x (L) 190cm x (H) 18cm.
2. Maximum thickness of mattress: 18cm.
3. Children should be discouraged from playing on top of this bunk bed.
4. The bunk bed should be checked periodically by the owner to ensure that the guardrail, ladder, and other components are maintained in the correct position and state of repair and that all connectors are tight.
5. A bunk bed is not to be placed near a ceiling fan unless the distance between the closest points on the ceiling fan bunk. Bed is at least 2 metres.
6. Use guardrails on both sides of upper bunk.
7. Prohibit horseplay on or under bed(s).
8. Prohibit more than one person on upper bunk.
9. Use Ladder for entering and leaving upper bunk.
10. If the bunk bed will be placed next to the wall, the guardrail that runs the full length of the bed should be placed against The wall to prevent entrapment between the bed and the wall.
11. **WARNING** Do not use the bunk bed/high bed if any structural part is broken or missing.
12. Ventilation of the room is necessary in order to keep the humidity low and to prevent mould in and around the bed.
13. **WARNING** "high beds & the upper bed of bunk beds are not suitable for children under six years due to risk of injury from falls";
14. **WARNING** "children can become trapped between the bed & the wall, a roof pitch, the ceiling, adjoining pieces of furniture (e.g.cupboard) and the like. To avoid risk of serious injury the distance between the top safety barrier and the adjoining structure shall not exceed 75mm nor shall be more than 230mm",
15. This child bed conforms to BS EN 747-1 : 2012 + A1 : 2015 & BS EN 747-2 : 2012 + A1 : 2015, "Furniture - Bunk beds and high beds".
16. Always follow the manufacturer's instructions.

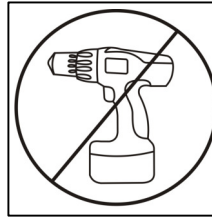
#### **STRANGULATION HAZARD:**

17. Never attach or hang items to any part of the bunk bed that are not designed for use with the bed for example, but not limited to hook, belt and jump ropes.
18. **WARNING** "Bunk Beds and high beds can present a serious risk of injury from strangulation if not used correctly.Never attach or hang items to any part of the bunk bed that are not designed to be used with the bed.for example, but not limited to ropes, strings, cords, hooks, belts and bags"

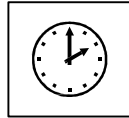
# Model : Eden High Sleeper

Product Size : 920 x 1930mm (Base Int Size)

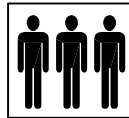
## Tools Required For Assembly



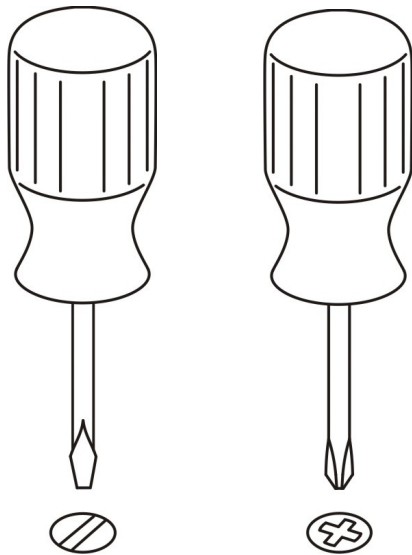
DO NOT USE POWER TOOLS TO ASSEMBLE THIS PRODUCT. USE OF POWER TOOLS WILL INVALIDATE ANY CLAIM AND MAY DAMAGE THIS PRODUCT MAKING IT UNSAFE.



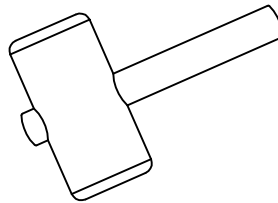
Approximately 3 hour



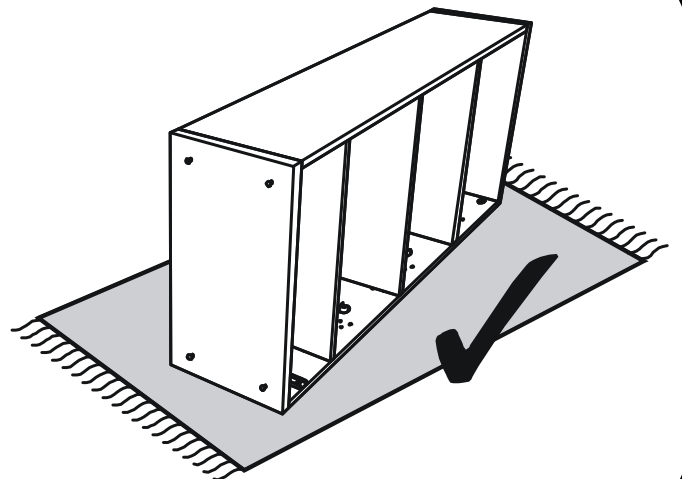
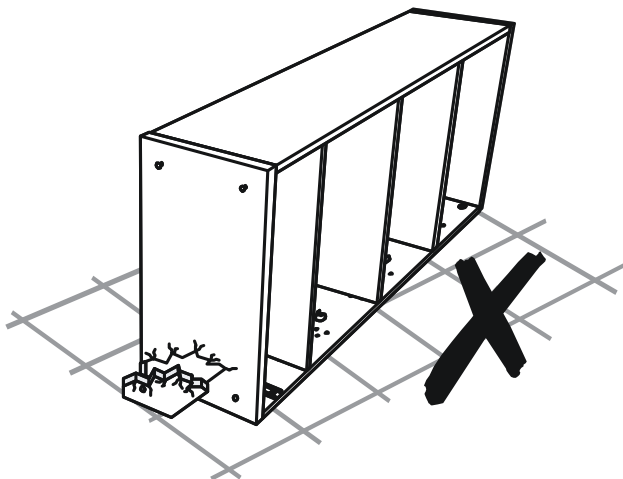
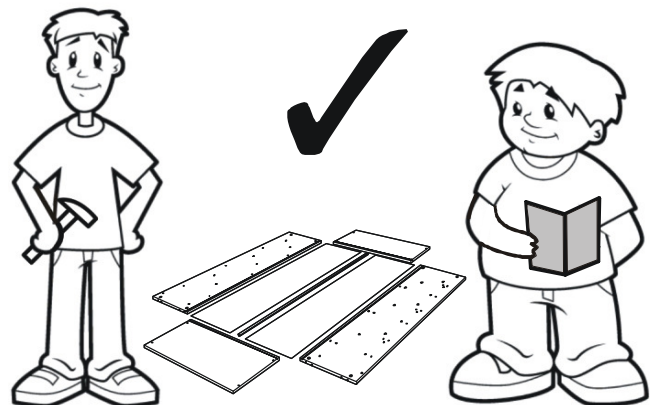
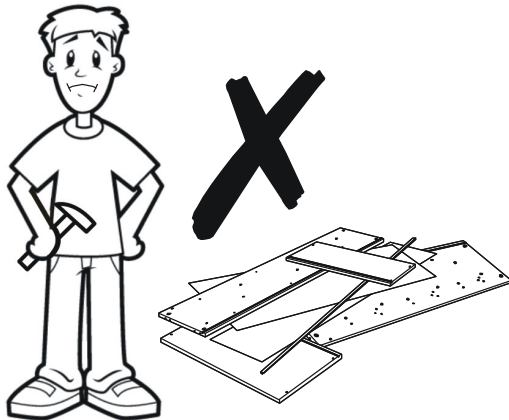
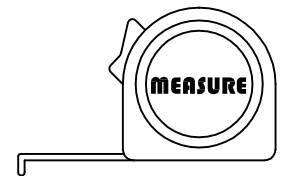
3 People Required



Rubber Hammer



Tape Measure



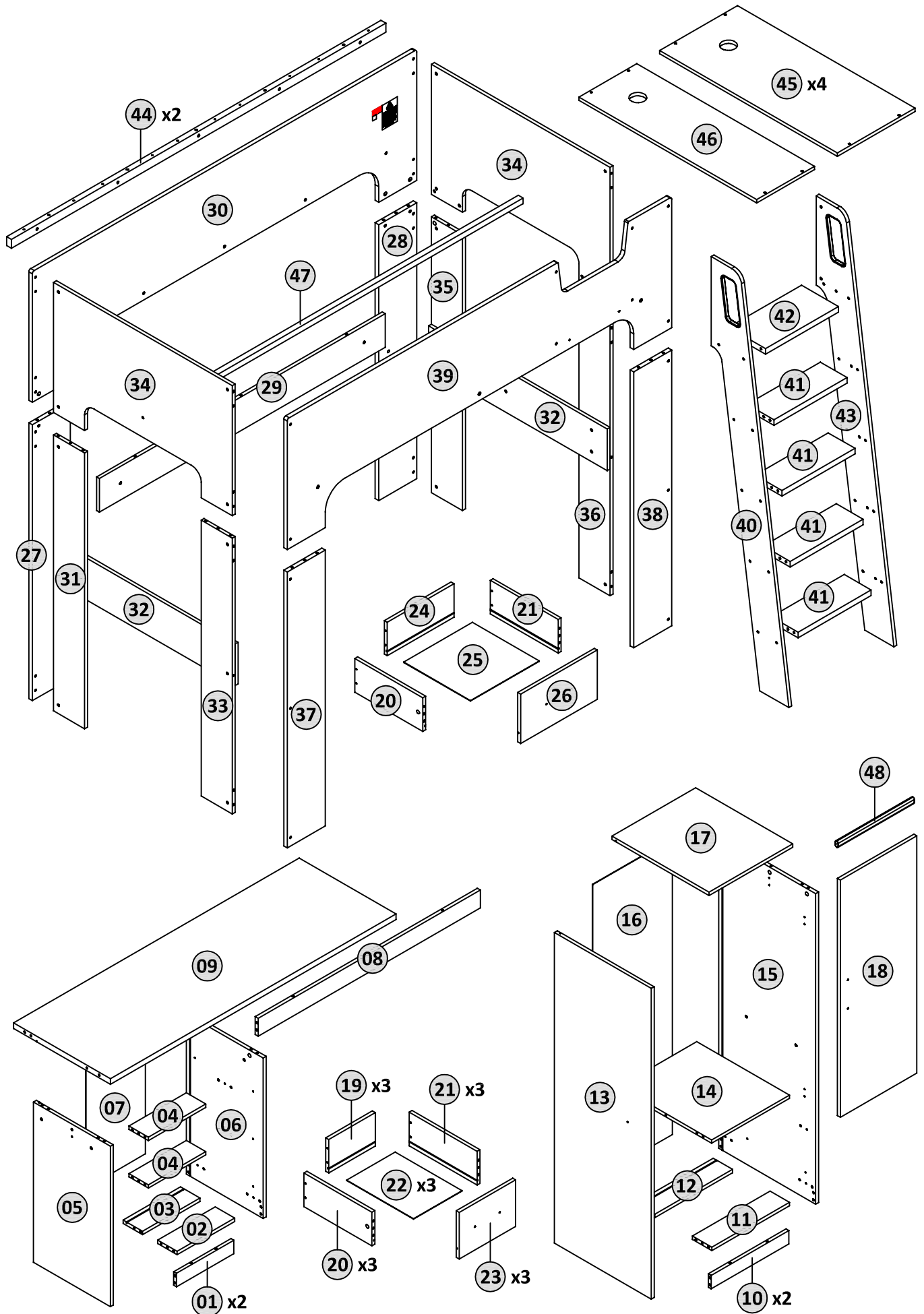
# Part List

## Model : Eden High Sleeper

Carton 1 of 4			Carton 3 of 4		
No.	Part Name	Pcs	No.	Part Name	Pcs
30	Back Side Panel	1	05	Left Panel (Chest Drawer)	1
39	Front Side Panel	1	06	Right Panel (Chest Drawer)	1
40	Ladder Left Panel	1	14	Centre Panel (Wardrobe)	1
43	Ladder Right Panel	1	17	Top Panel (Wardrobe)	1
44	Side Rail	2	22	Bottom Panel (Drawer)	3
47	Bottom Support Rail	1	25	Bottom Panel (Drawer)	1
48	Hanging Rail	1	27	Back Post	1
<b>* 14" Drawer Slide (4 sets)</b>			28	Back Post	1
			32	Centre Panel	2
<b>Carton 2 of 4</b>			34	Side Panel	2
08	Bottom Panel (Desk)	1	37	Front Post	1
09	Top Panel (Desk)	1	38	Front Post	1
13	Left Panel (Wardrobe)	1	46	Base Panel	1
15	Right Panel (Wardrobe)	1			
16	Back Panel (Wardrobe)	1	<b>Carton 4 of 4</b>		
18	Door (Wardrobe)	1	01	Plinth Panel (Chest Drawer)	2
29	Back Support Panel	1	02	Bottom Panel (Chest Drawer)	1
31	Left Post	1	03	Bottom Panel (Chest Drawer)	1
33	Left Post	1	04	Centre Panel (Chest Drawer)	2
35	Right Post	1	07	Back Panel (Chest Drawer)	1
36	Right Post	1	10	Plinth Panel (Wardrobe)	2
<b>Assembly Instructions + Fitting List</b>			11	Bottom Panel (Wardrobe)	1
			12	Bottom Panel (Wardrobe)	1
			19	Back Panel (Drawer)	3
			20	Left Panel (Drawer)	4
			21	Right Panel (Drawer)	4
			23	Front Panel (Drawer)	3
			24	Back Panel (Drawer)	1
			26	Front Panel (Drawer)	1
			41	Ladder Step	4
			42	Ladder Step	1
			45	Base Panel	4











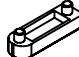













# Part List

## Model : Eden High Sleeper



# Fitting List

## Model : Eden High Sleeper

No.	Part Name		Qty
A	Cam		61
B	Cam Stud		45
C	Contractfix Dowel		16
D	M8 x 25mm Dowel		116
E	M8 x 30mm Dowel		10
F	M6 x 40mm Unitar Screw		20
G	38mm Chipboard Screw		16
H	14mm Chipboard Screw		52
J	14" Drawer Slide		4 set
K	End Hinges (7/8)		2 set
L	Door Stopper		1
M	Hanging Rail Holder		2
N	Handle		5
P	20mm Handle Screw		10
Q	M6 x 13mm Baller		40
R	M6 Round Nut		20
S	M6 x 55mm JCBC Unitar		46
T	M6 x 40mm Allen Bolt		2
U	M6 x 35mm Allen Bolt		10
V	M6 x 25mm Allen Bolt		7
W	M6 x 15mm JCN Nut		11
X	M6 Allen Wrench		2
Y	Felt Pads (45 x 14mm)		30
Z	Sticker 25mm		52

### Caution

There are many small components used in the construction of this unit. These loose items should be kept away from young children whilst assembling your unit. As an extra precaution, screw cover caps should be permanently fixed in position. (Where applicable)


### USEFUL HINTS & TIPS

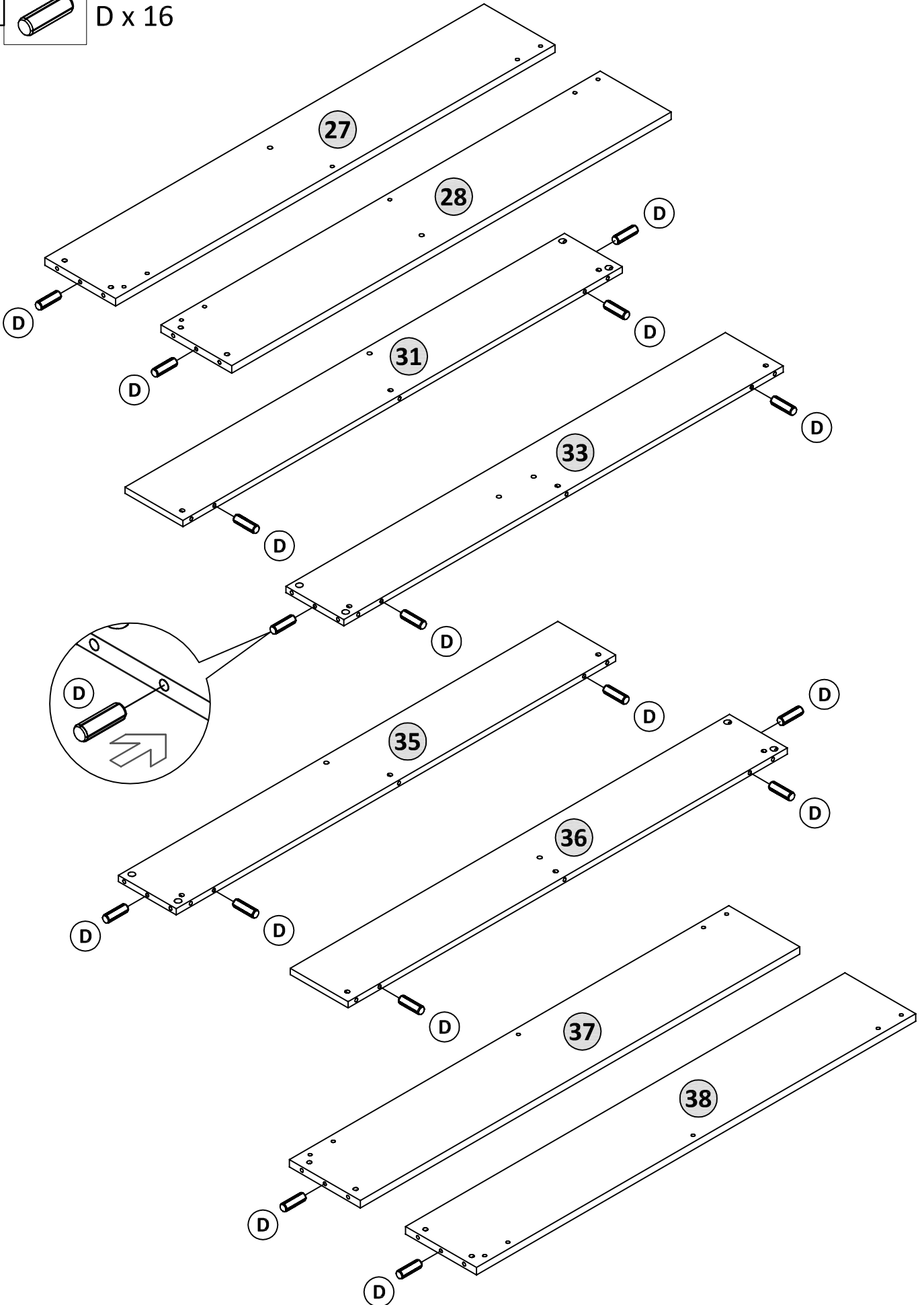
Two people will be required to assemble this unit

Please keep this assembly instruction for future reference

# Guide To Assembly

## Model : Eden High Sleeper

1  D x 16



# Guide To Assembly

## Model : Eden High Sleeper

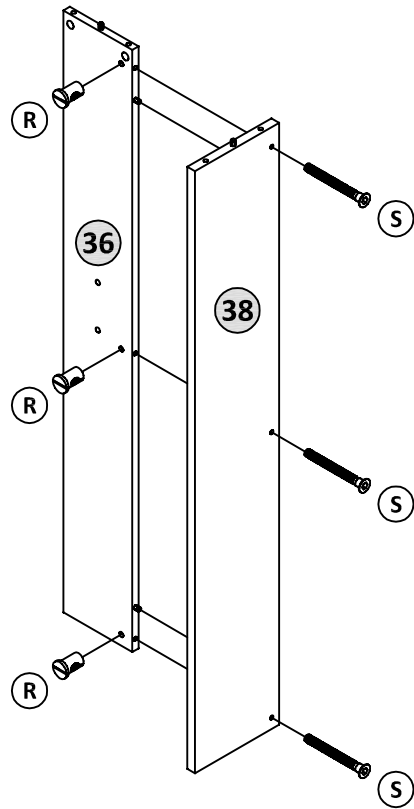
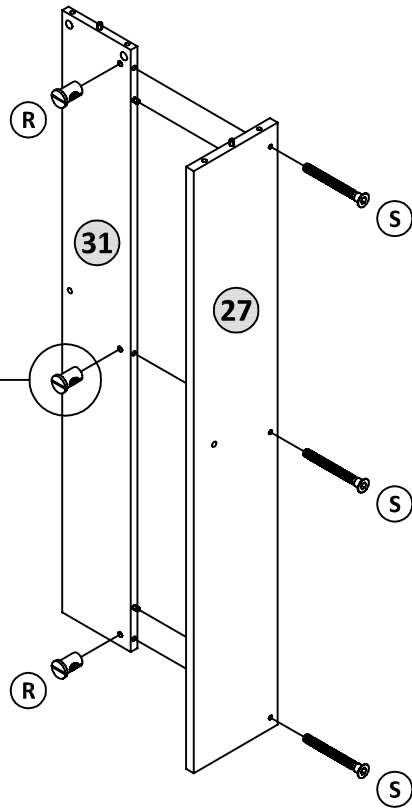
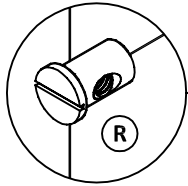
2



R x 6



S x 6



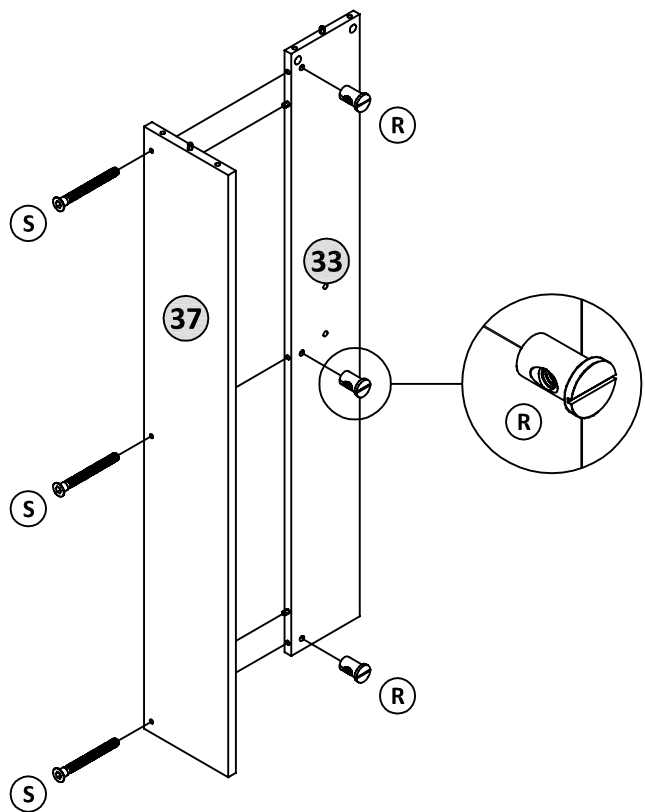
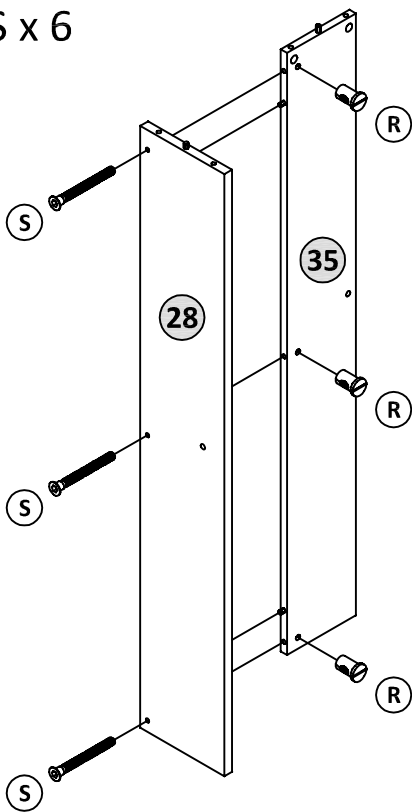
3



R x 6



S x 6





# Guide To Assembly

## Model : Eden High Sleeper

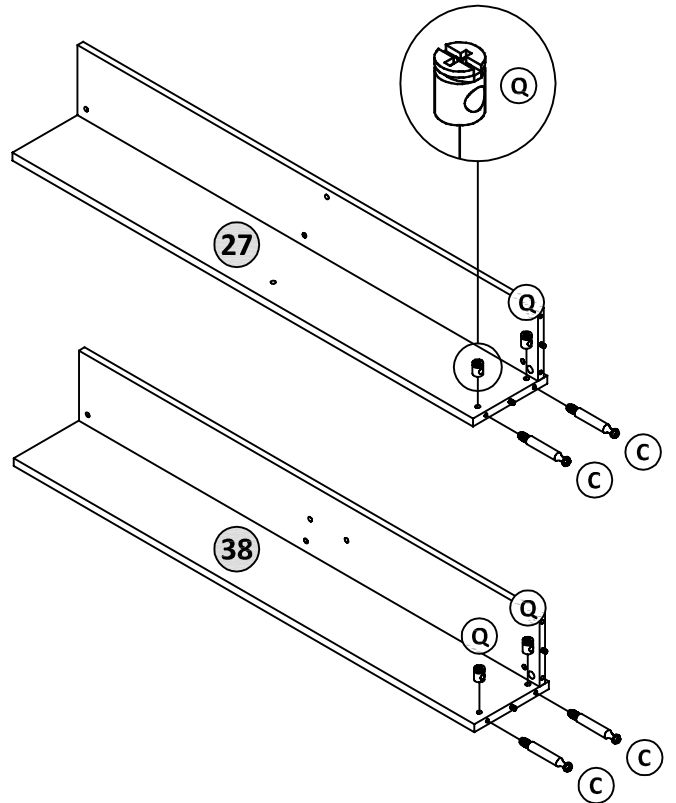
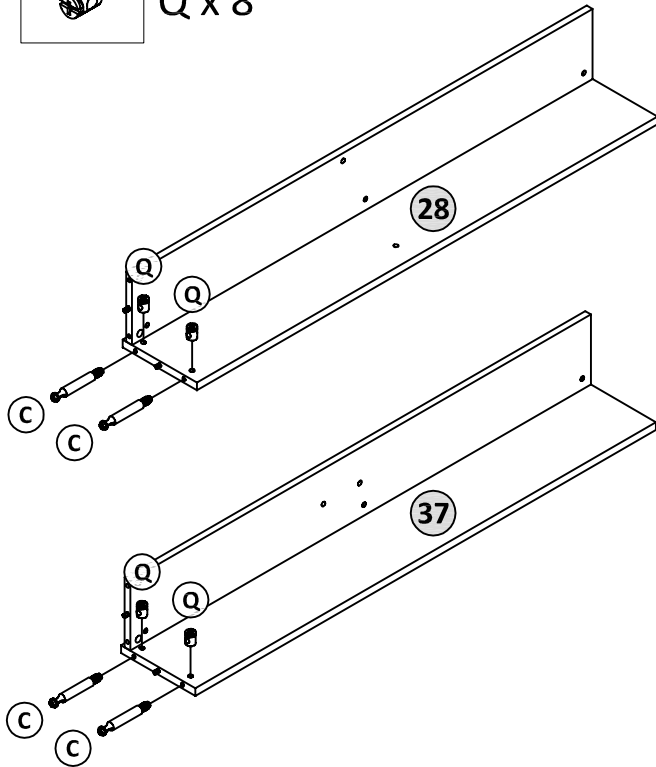
4



C x 8



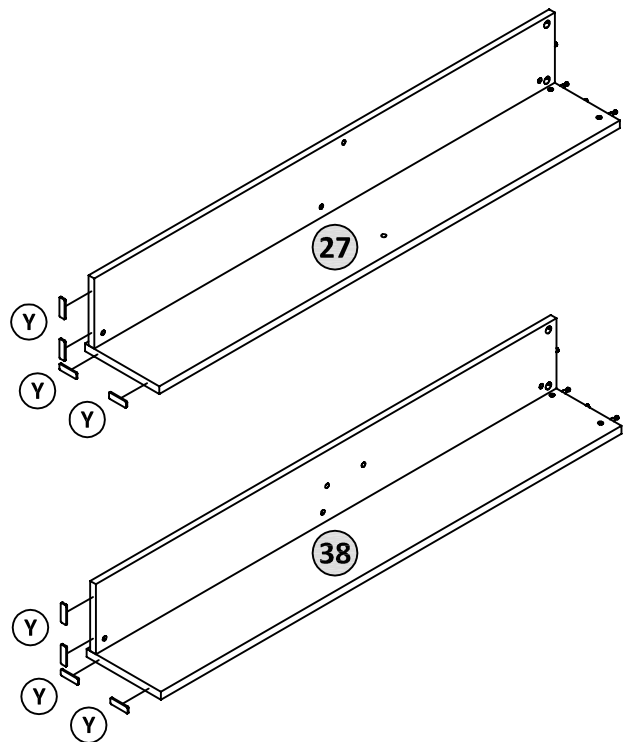
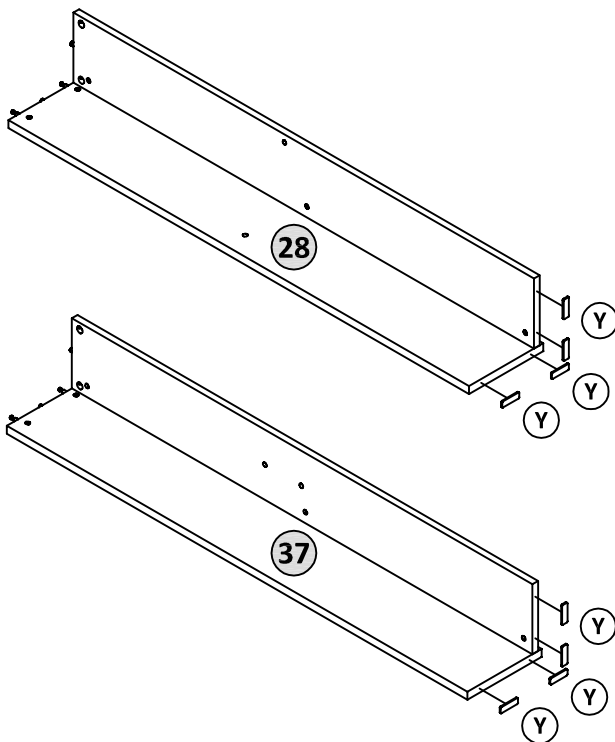
Q x 8



5




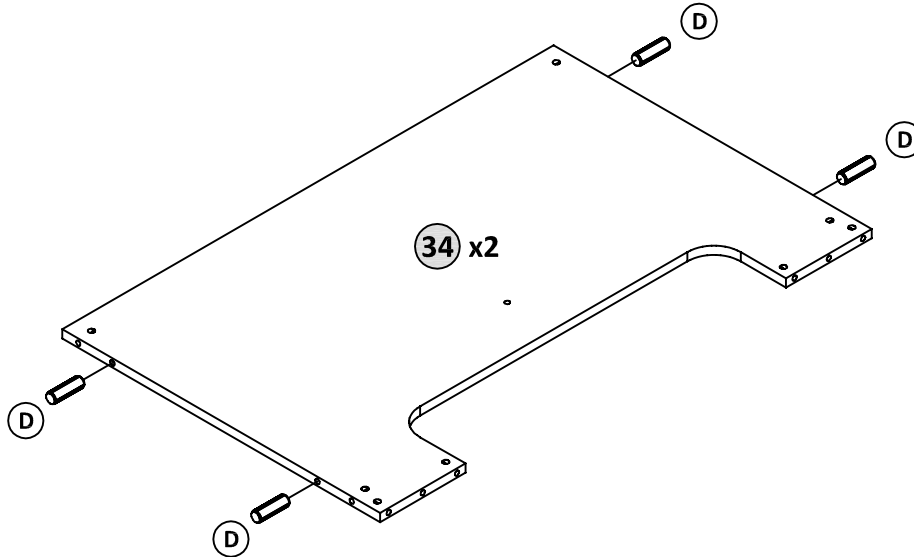
Y x 16





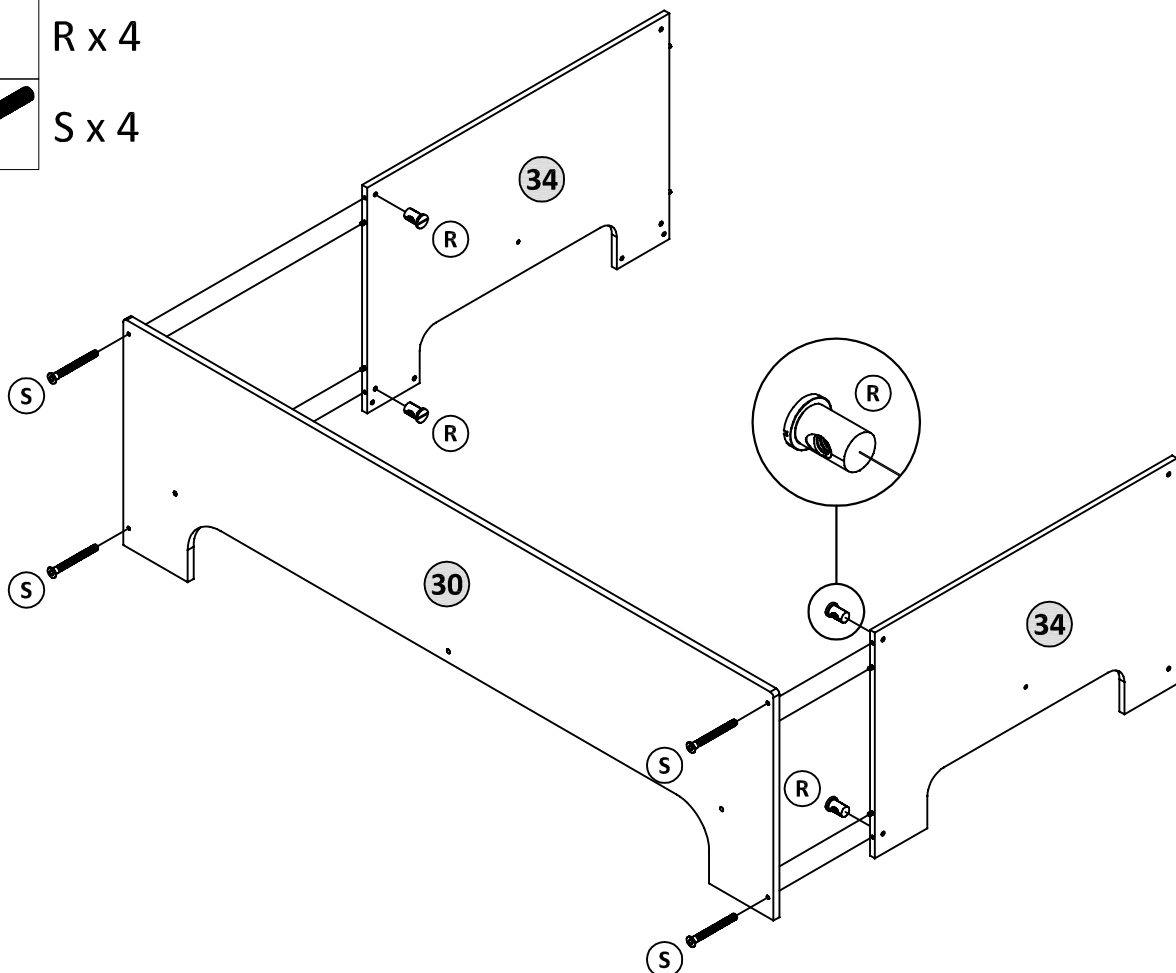
# Guide To Assembly

## Model : Eden High Sleeper

6  D x 8



7  R x 4  
 S x 4



# Guide To Assembly

## Model : Eden High Sleeper

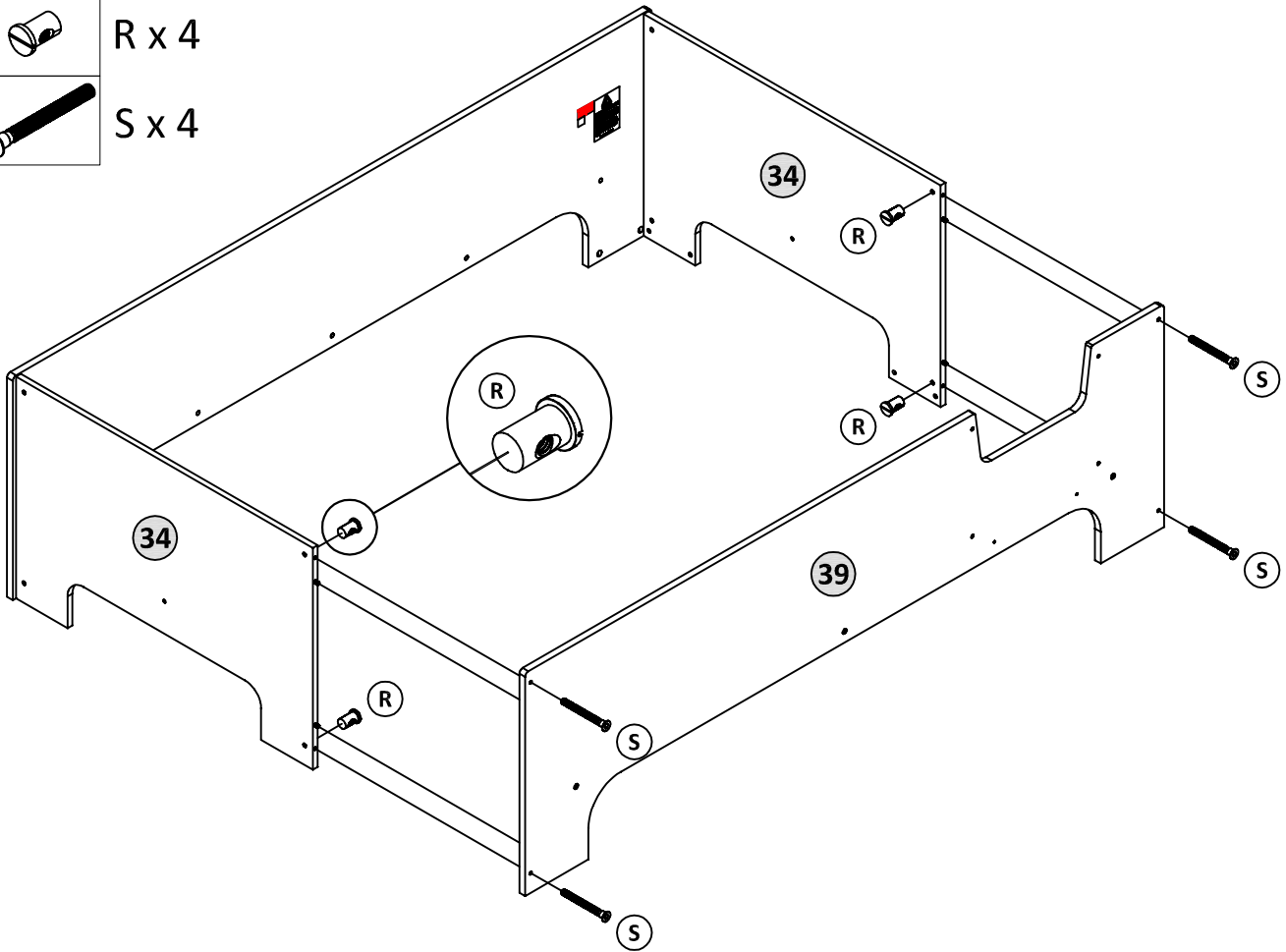
8



R x 4



S x 4



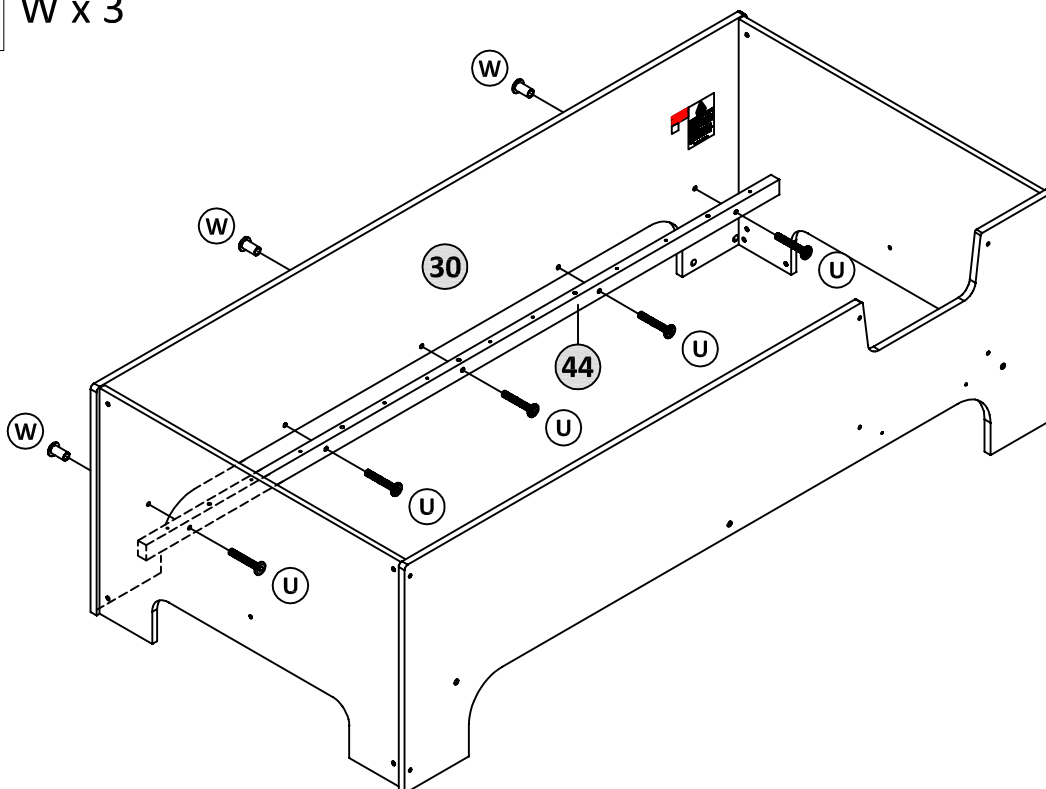
9



U x 5



W x 3



# Guide To Assembly

## Model : Eden High Sleeper

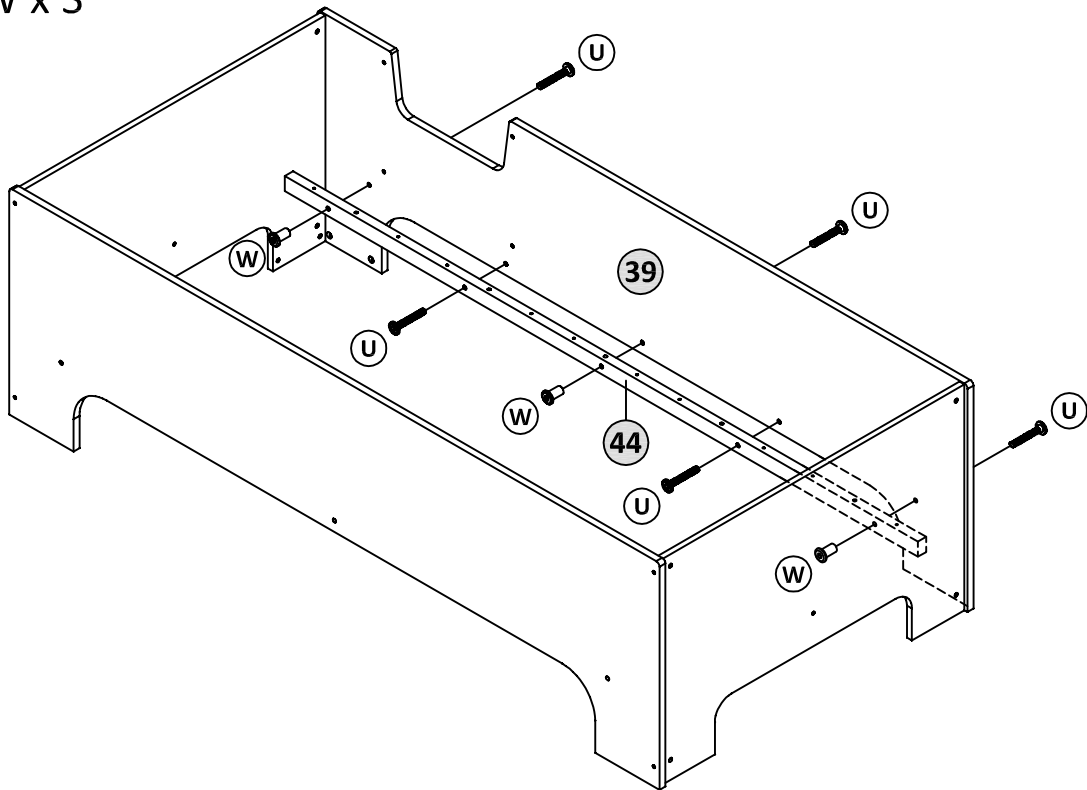
10



U x 5



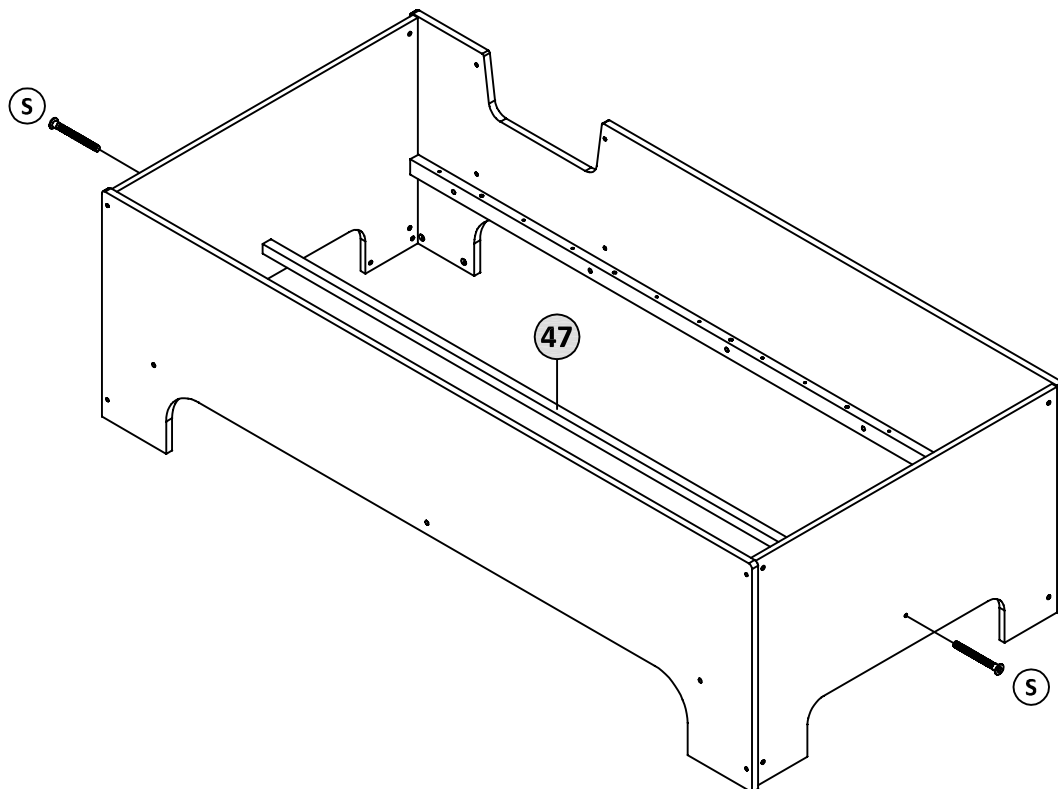
W x 3



11



S x 2

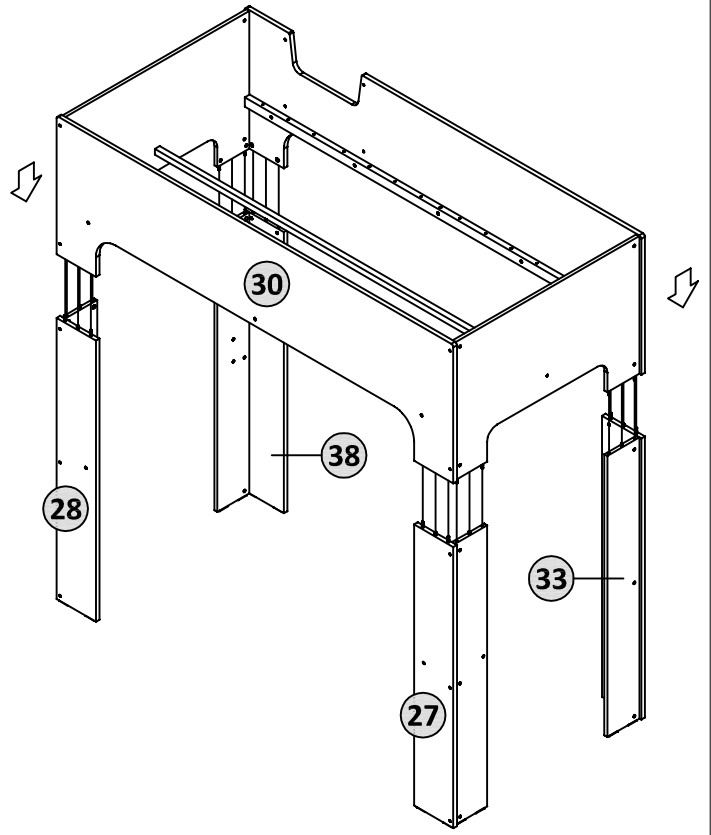
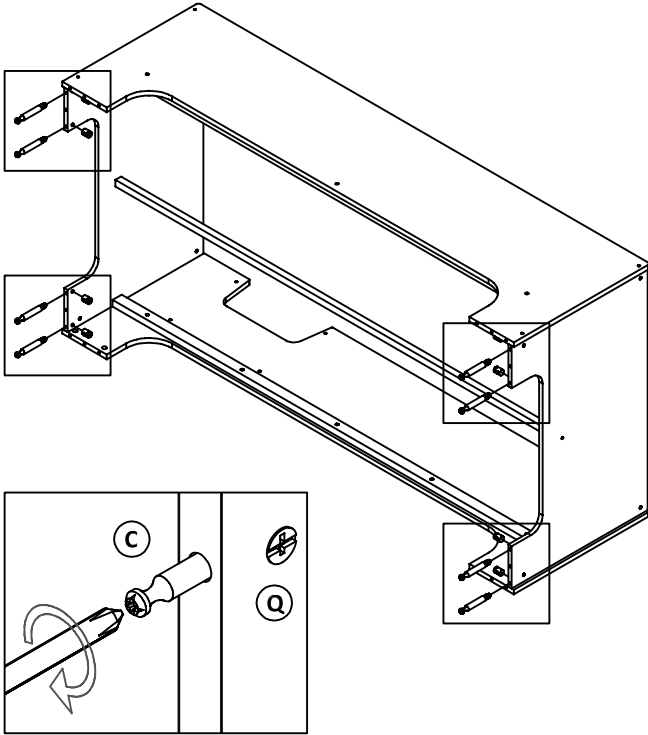



# Guide To Assembly



## Model : Eden High Sleeper

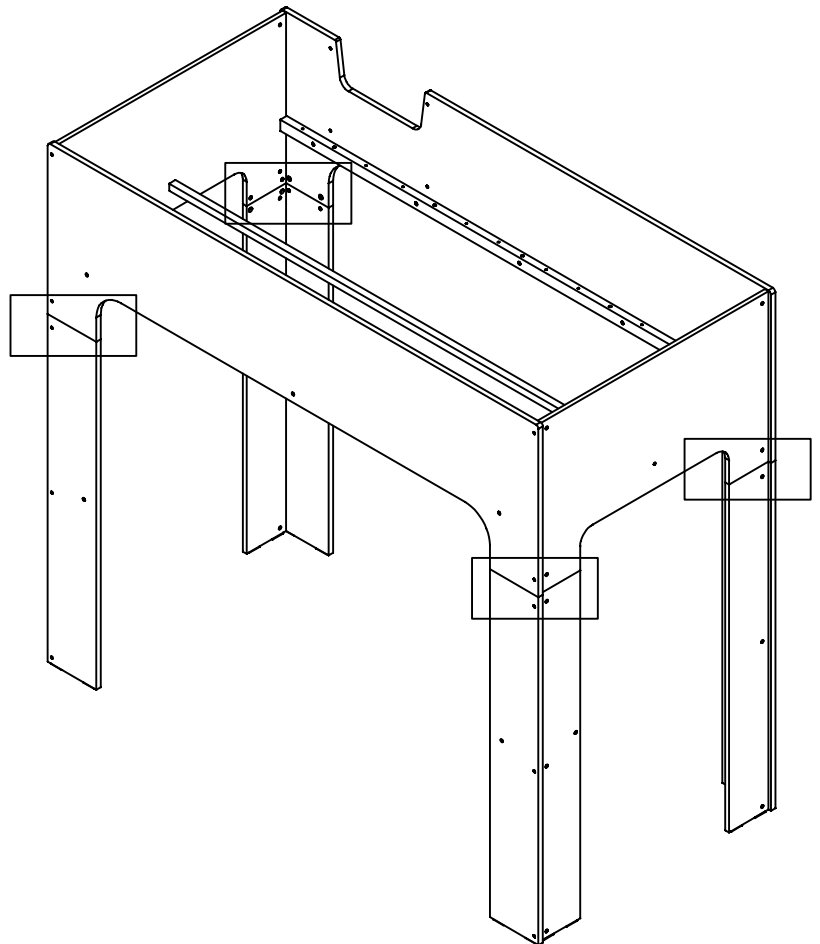
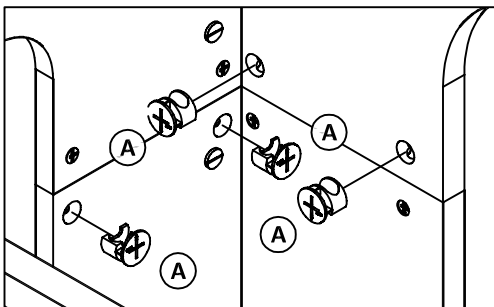
12  C x 8

 Q x 8







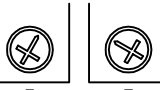


13  A x 16

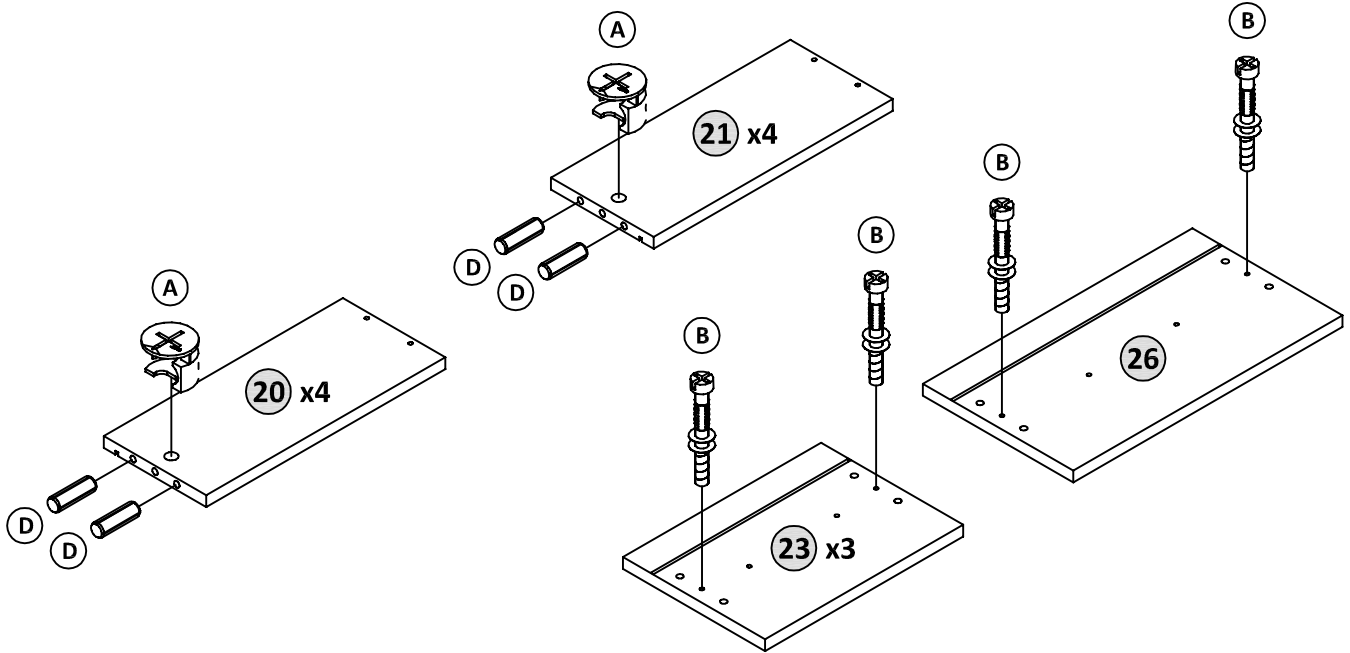
x 16  
 


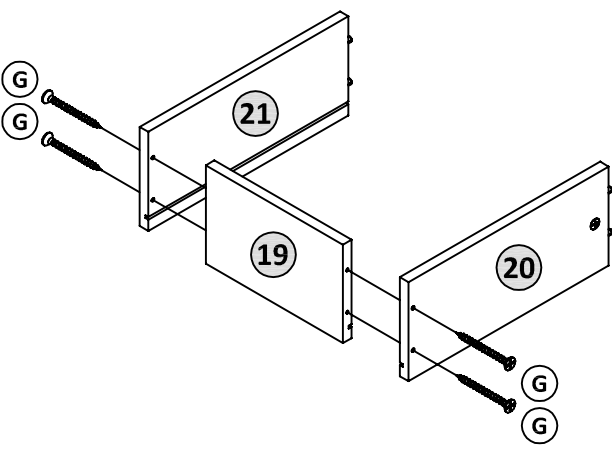



# Guide To Assembly

## Model : Eden High Sleeper

14		A x 8	<p><b>WHEN FITTING CAM STUD</b> ENSURE THE CAM STUD IS FULLY TIGHTEN IN</p>  ✓  ✗ <hr/> <p>CORRECT      WRONG</p>	<p><b>WHEN FITTING CAMS</b> ENSURE STARTING POSITION IS CORRECT BEFORE YOU INSERT CONNECTING BOLT TURN CLOCKWISE UNTIL SECURE</p>  ✓  ✗ <hr/> <p>CORRECT      WRONG</p>
		B x 8		
		D x 16		



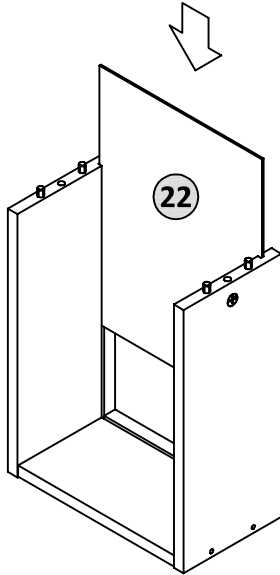
15		G x 12	
16		G x 4	

**x 3**

# Guide To Assembly

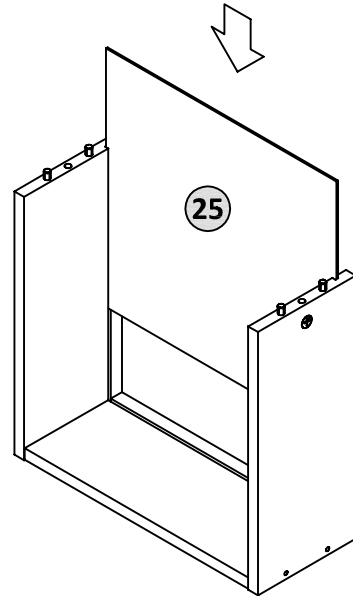
## Model : Eden High Sleeper

17

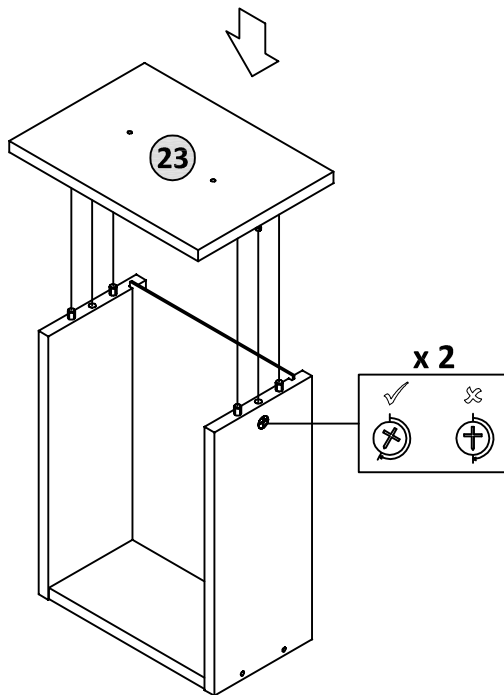


**x 3**

18

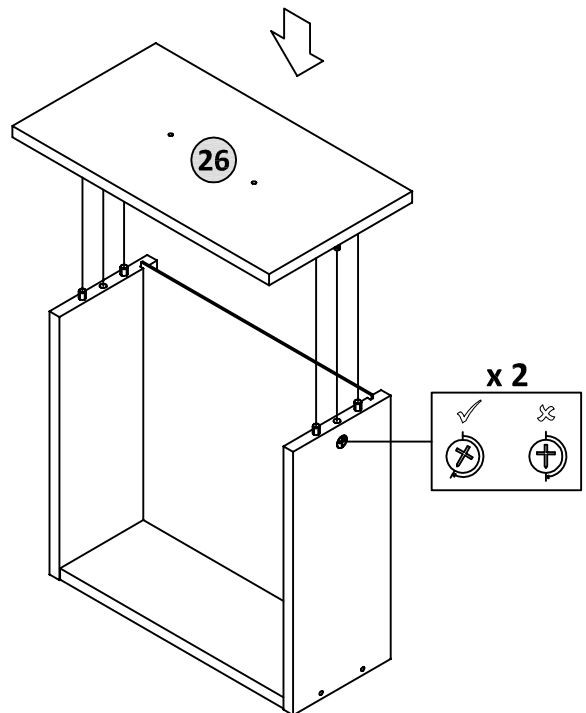


19





**x 3**

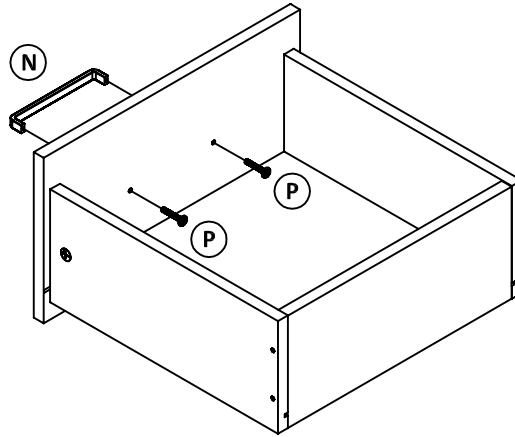
20





# Guide To Assembly

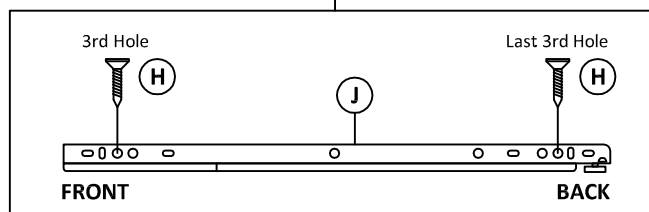
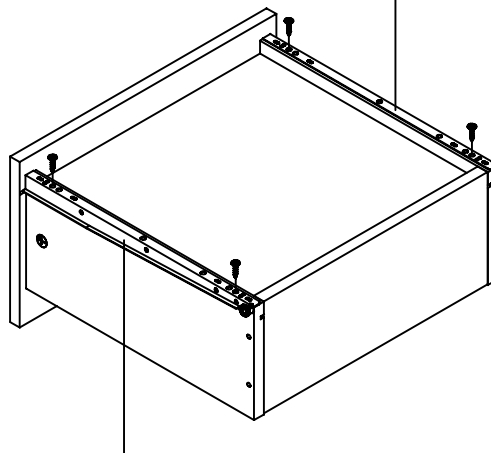
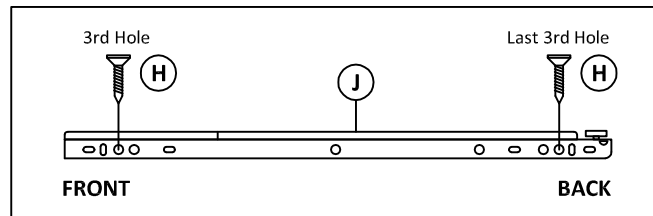
## Model : Eden High Sleeper

- 21  N x 4  
 P x 8



**x 4**

- 22  H x 16  
 J x 4



**x 4**



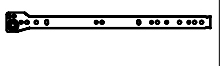
# Guide To Assembly

## Model : Eden High Sleeper

23



H x 5

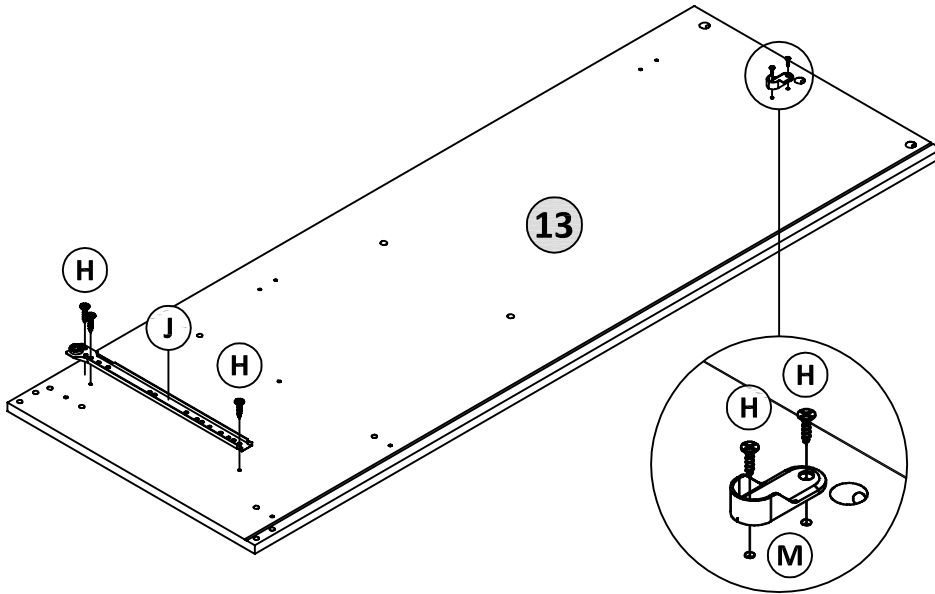
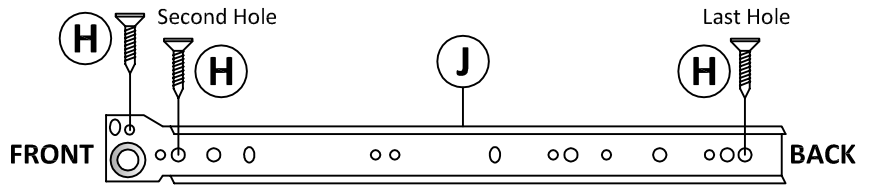


J x 1

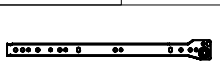


M x 1

To Assembly the Drawer Slide, Please Follow Step as Below



H x 5

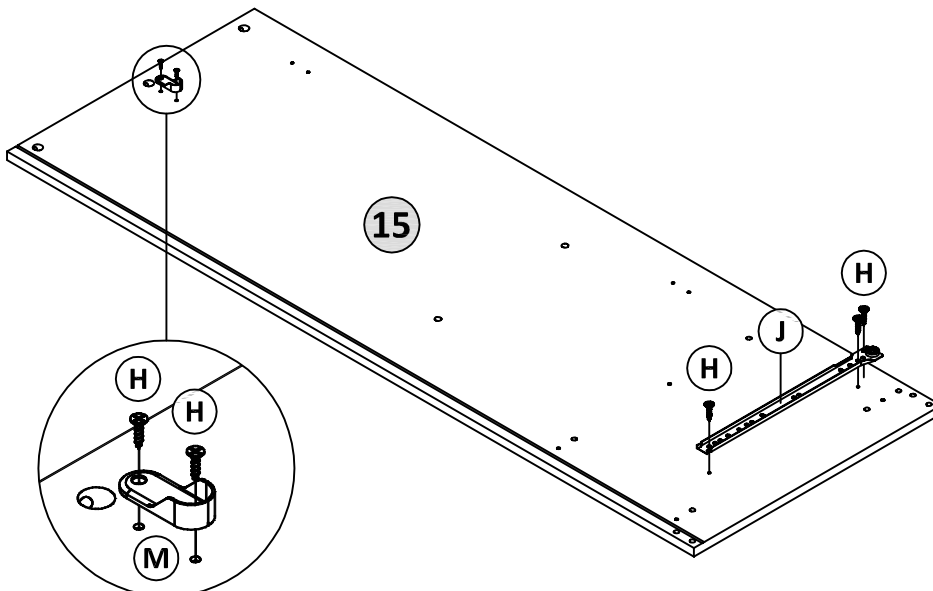
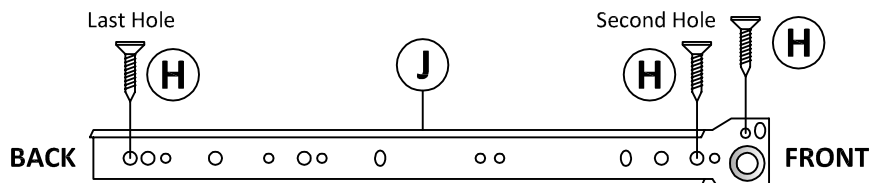


J x 1



M x 1

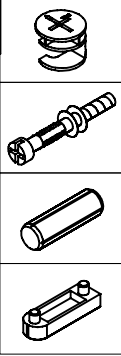
To Assembly the Drawer Slide, Please Follow Step as Below



# Guide To Assembly

## Model : Eden High Sleeper

24



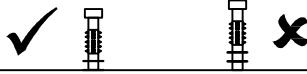
A x 16

B x 16

D x 26

L x 1

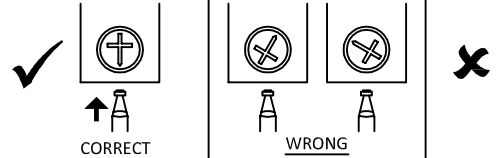
**WHEN FITTING CAM STUD**  
ENSURE THE CAM STUD IS FULLY TIGHTEN IN



CORRECT      WRONG

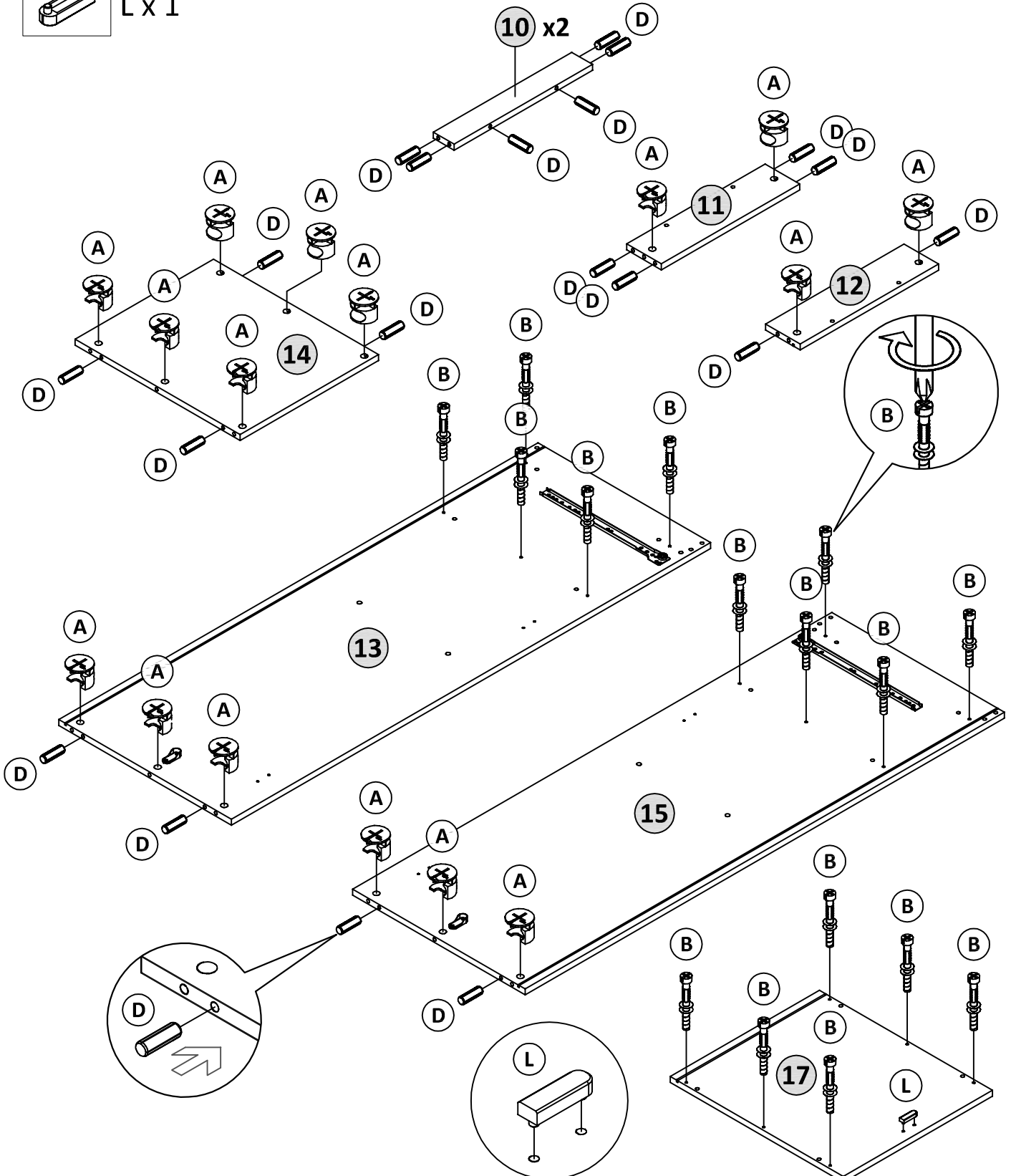
**WHEN FITTING CAMS**

ENSURE STARTING POSITION IS CORRECT  
BEFORE YOU INSERT CONNECTING BOLT  
TURN CLOCKWISE UNTIL SECURE



CORRECT

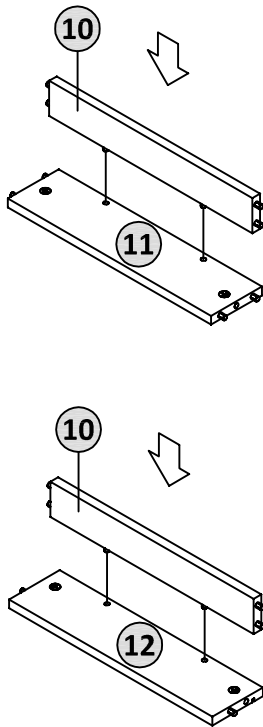
WRONG



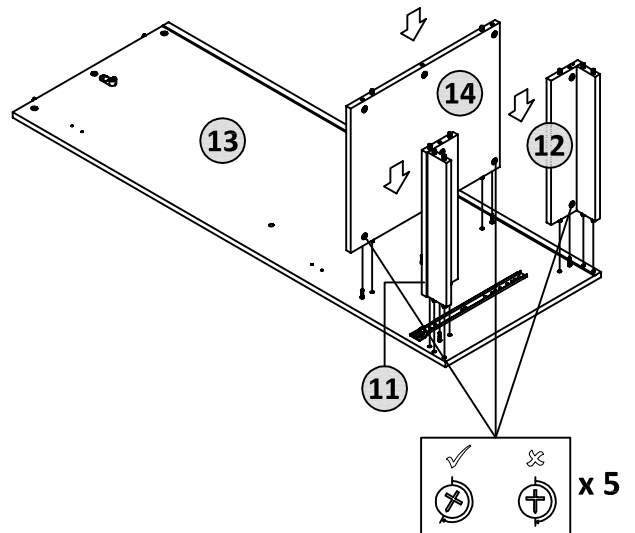
# Guide To Assembly

## Model : Eden High Sleeper

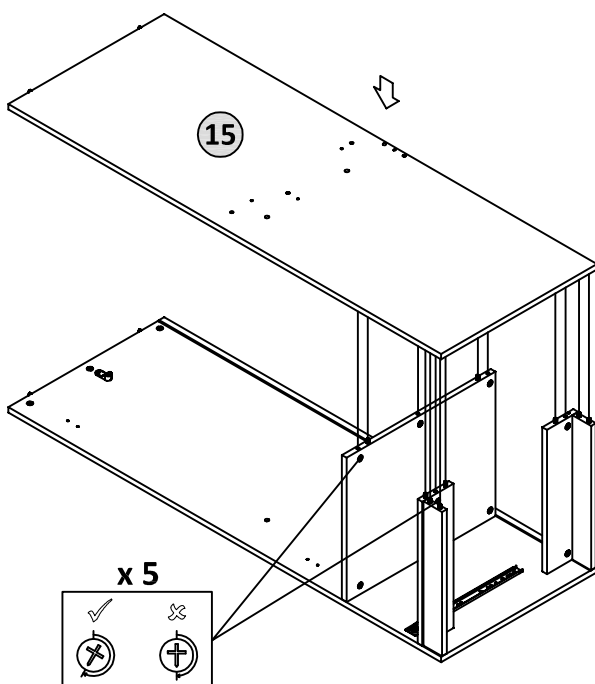
25



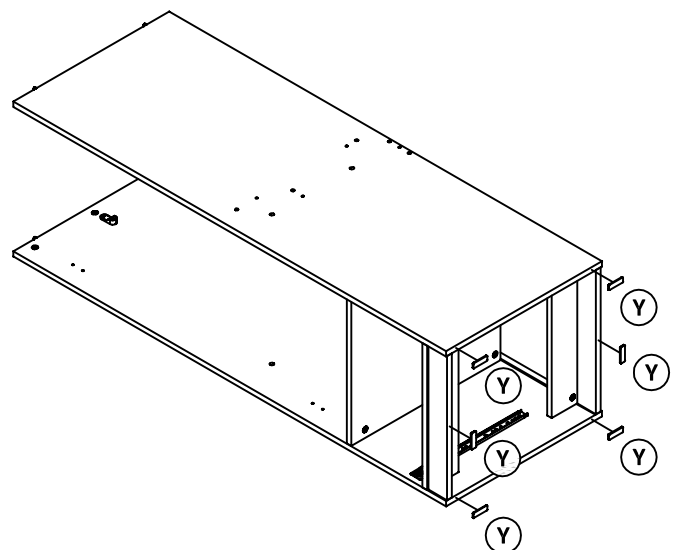
26



27



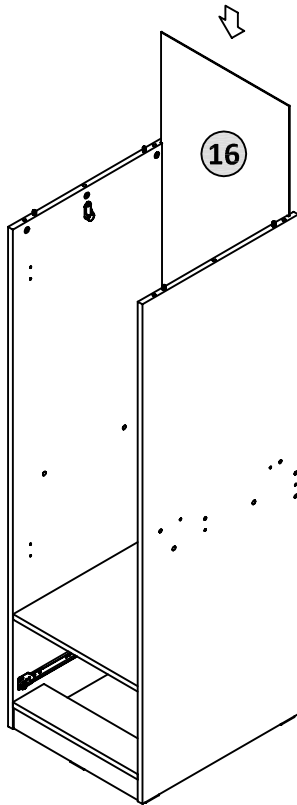
28



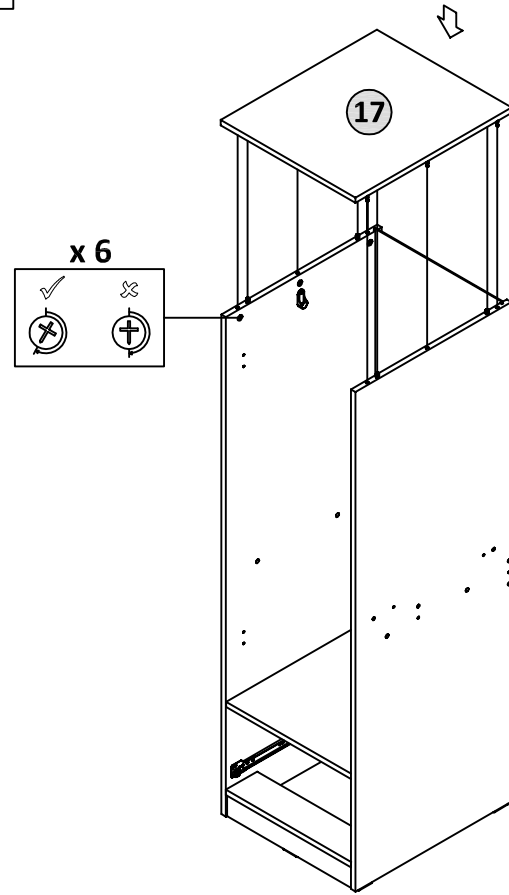
# Guide To Assembly

## Model : Eden High Sleeper





29

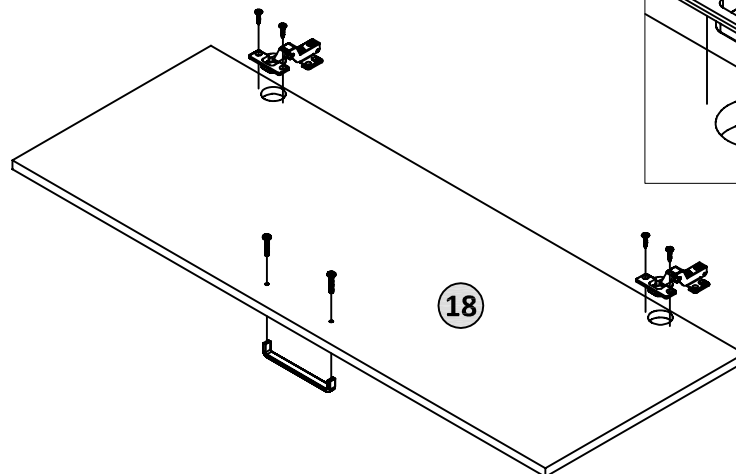
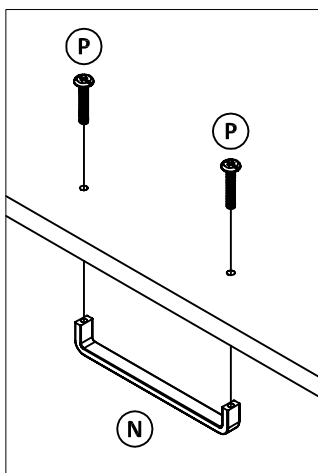
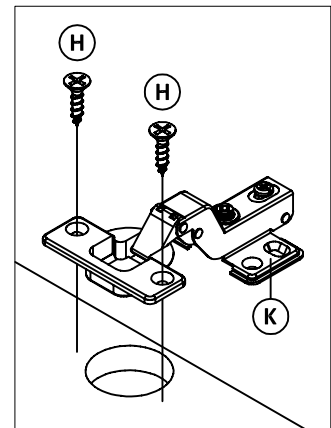


30



31

-  H x 4
-  K x 2
-  N x 1
-  P x 2



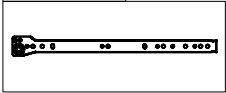
# Guide To Assembly

## Model : Eden High Sleeper

32

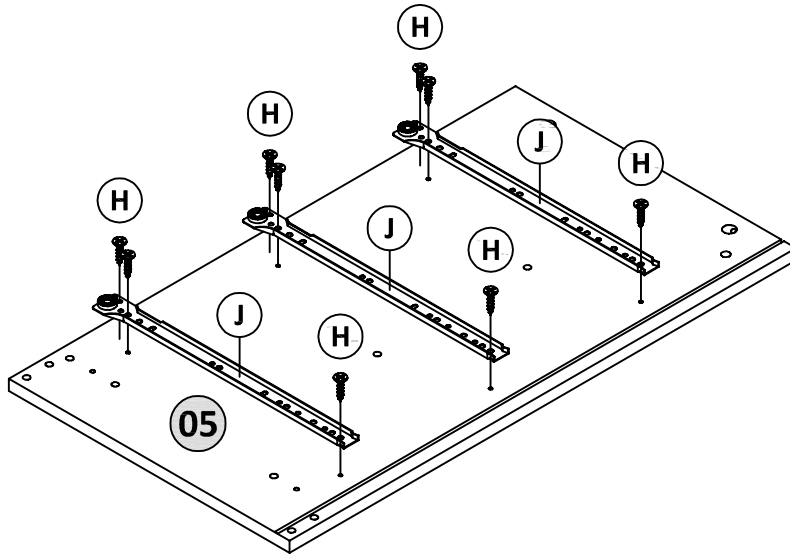
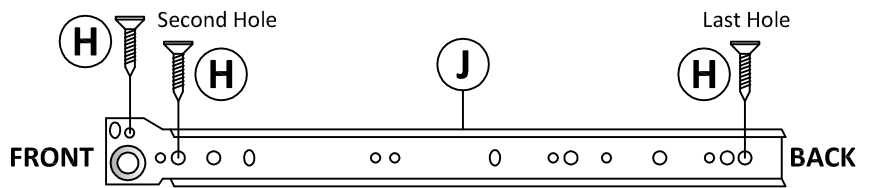


H x 9

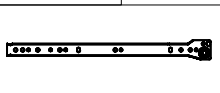


J x 3

To Assembly the Drawer Slide, Please Follow Step as Below

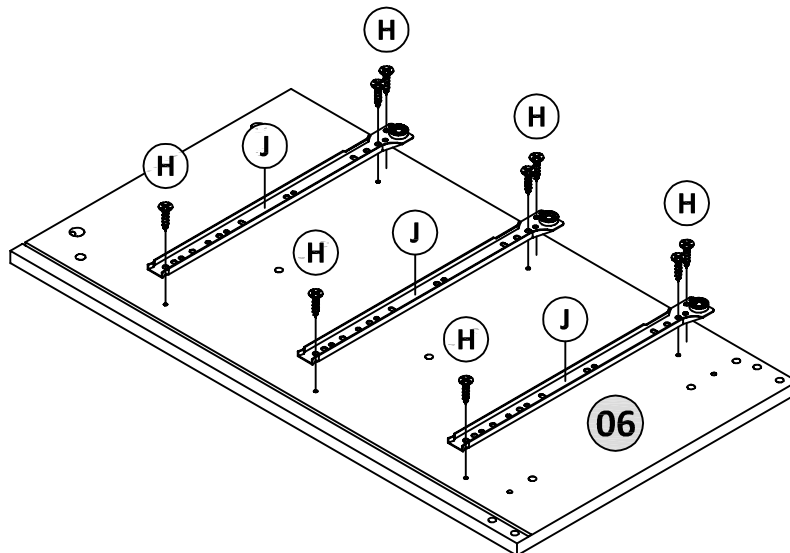
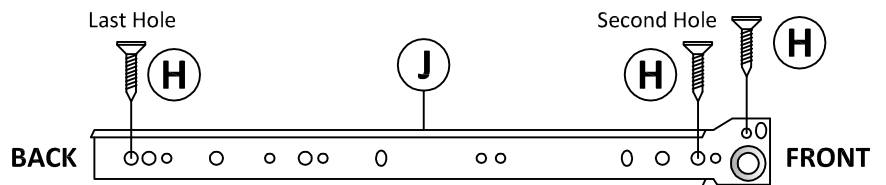


H x 9



J x 3

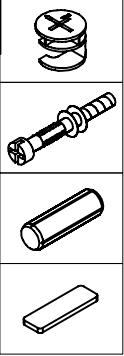
To Assembly the Drawer Slide, Please Follow Step as Below



# Guide To Assembly

## Model : Eden High Sleeper

33



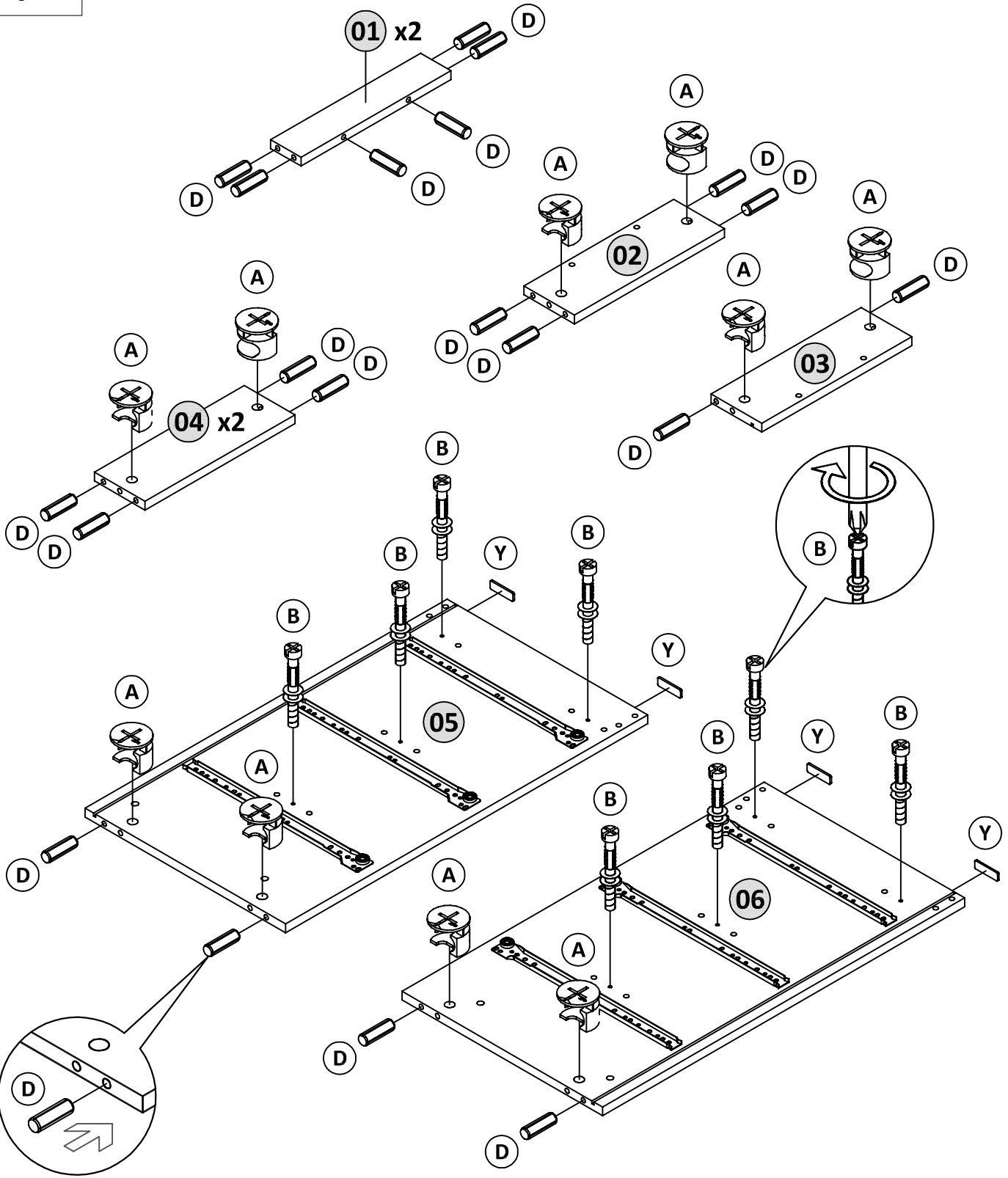
A x 12  
 B x 8  
 D x 30  
 Y x 4

**WHEN FITTING CAM STUD**  
 ENSURE THE CAM STUD IS FULLY TIGHTEN IN

✓ CORRECT      ✗ WRONG

**WHEN FITTING CAMS**  
 ENSURE STARTING POSITION IS CORRECT BEFORE YOU INSERT CONNECTING BOLT TURN CLOCKWISE UNTIL SECURE

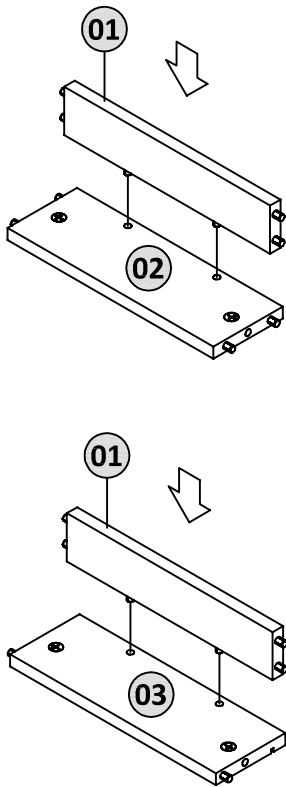
✓ CORRECT      ✗ WRONG



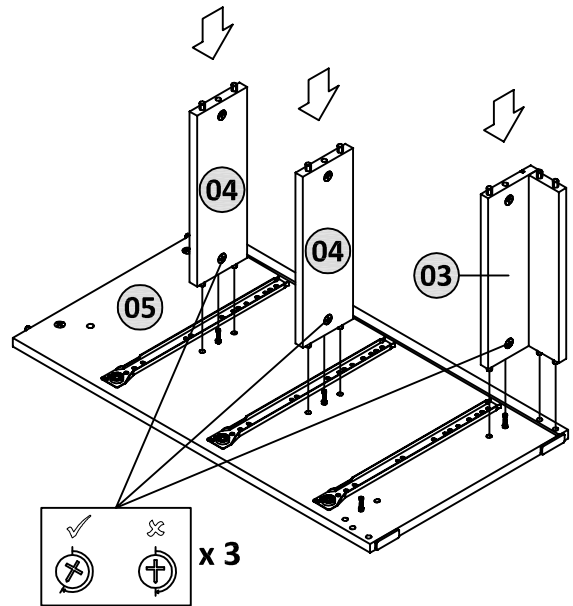
# Guide To Assembly

## Model : Eden High Sleeper

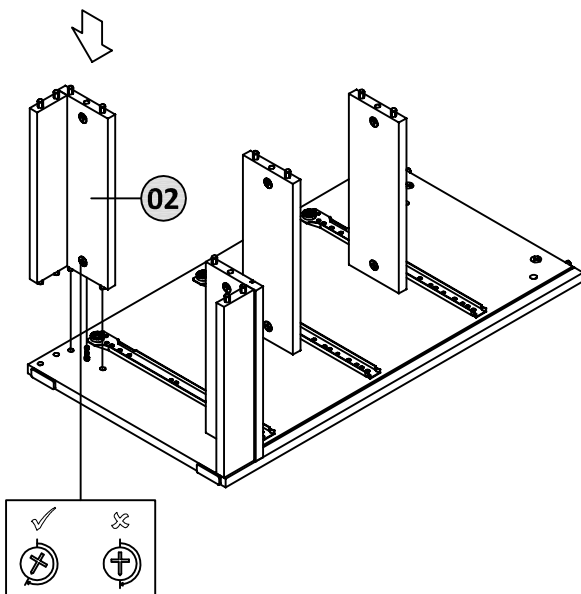
34



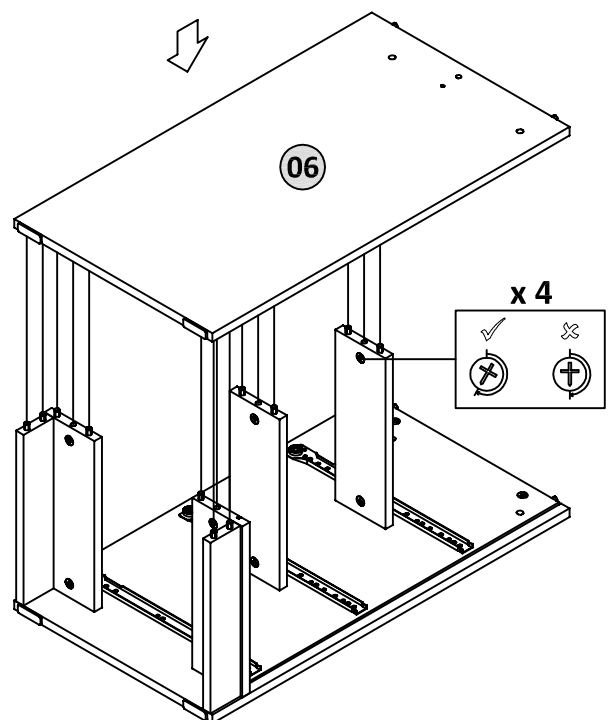
35



36



37



# Guide To Assembly

## Model : Eden High Sleeper

38



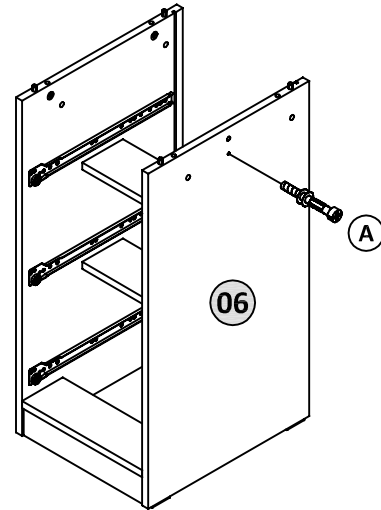
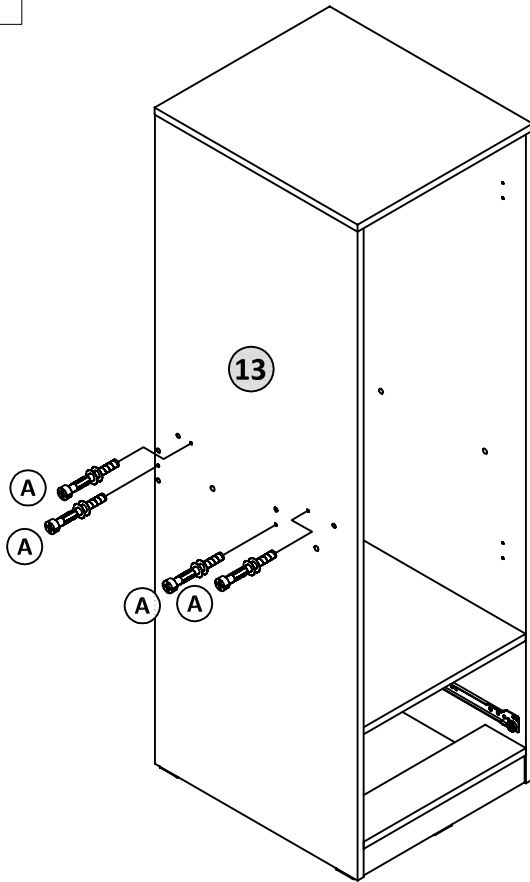
B x 5

Option A

**WHEN FITTING CAM STUD**  
ENSURE THE CAM STUD IS FULLY TIGHTEN IN



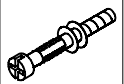
CORRECT      WRONG



39



A x 7



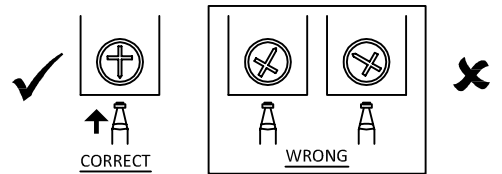
B x 6



D x 10

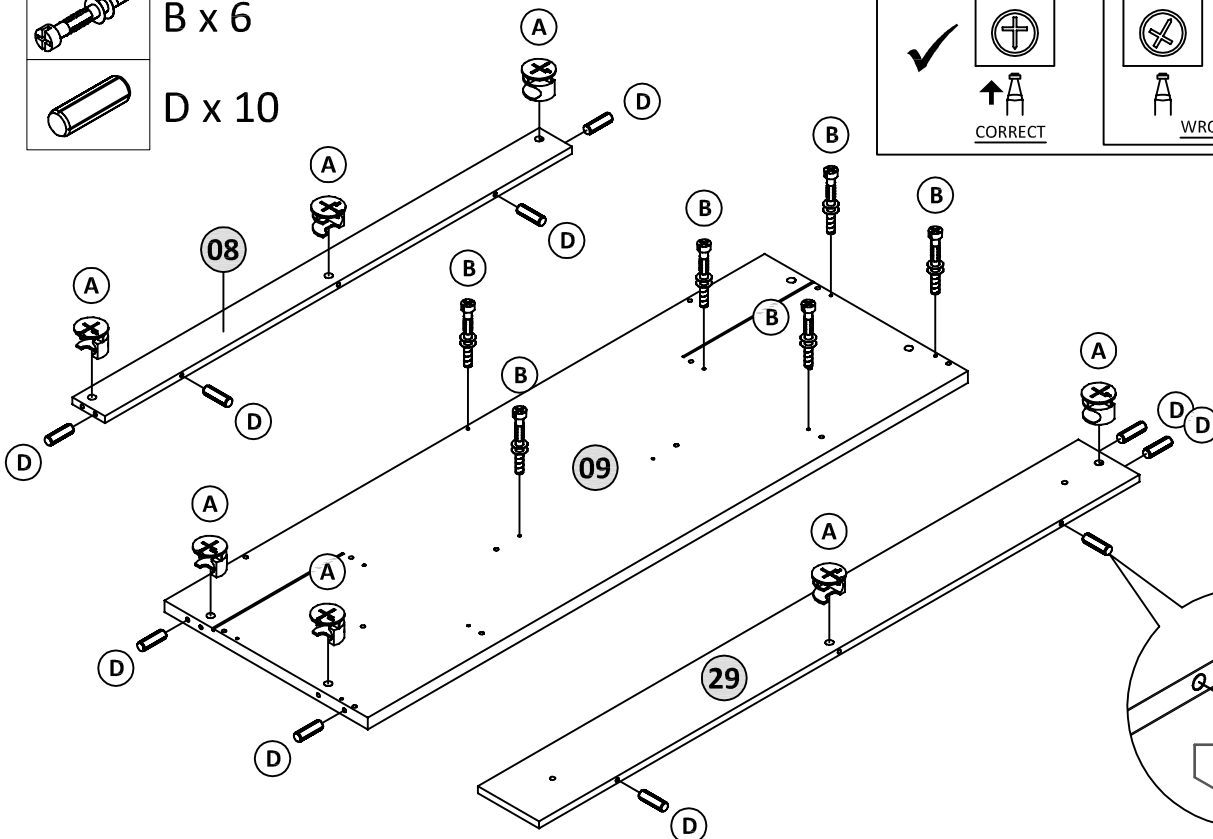
**WHEN FITTING CAMS**

ENSURE STARTING POSITION IS CORRECT  
BEFORE YOU INSERT CONNECTING BOLT  
TURN CLOCKWISE UNTIL SECURE



CORRECT

WRONG

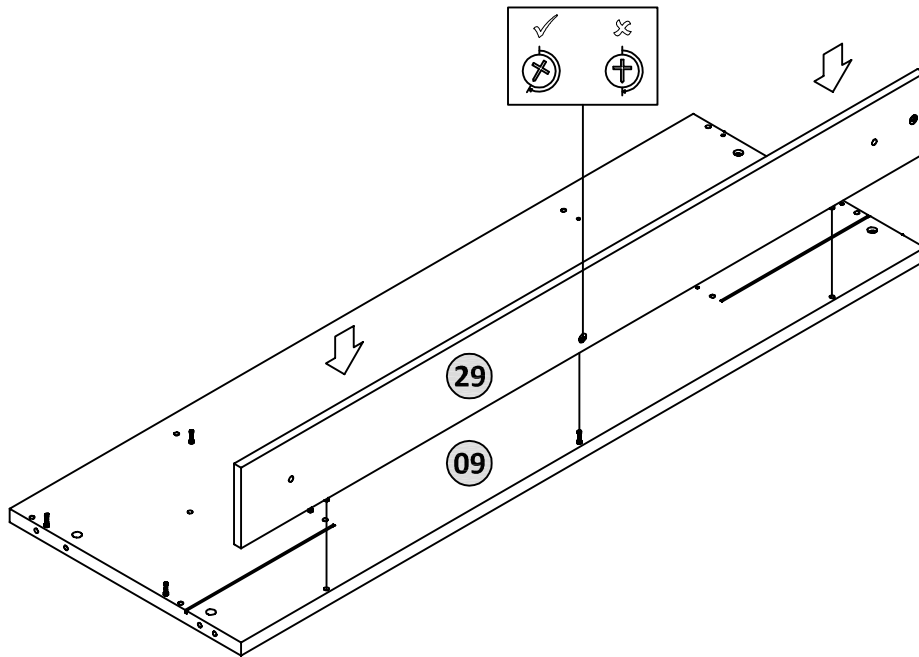




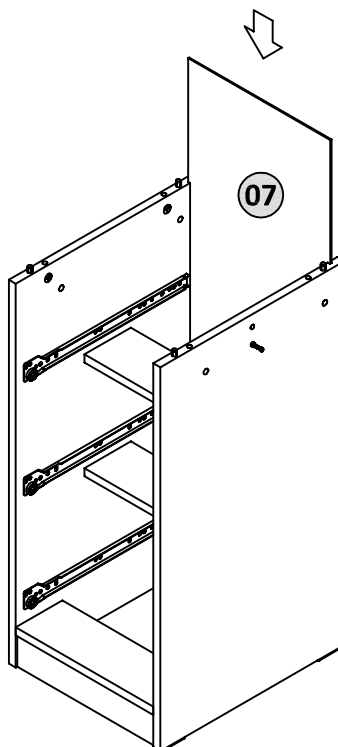
# Guide To Assembly

## Model : Eden High Sleeper

40



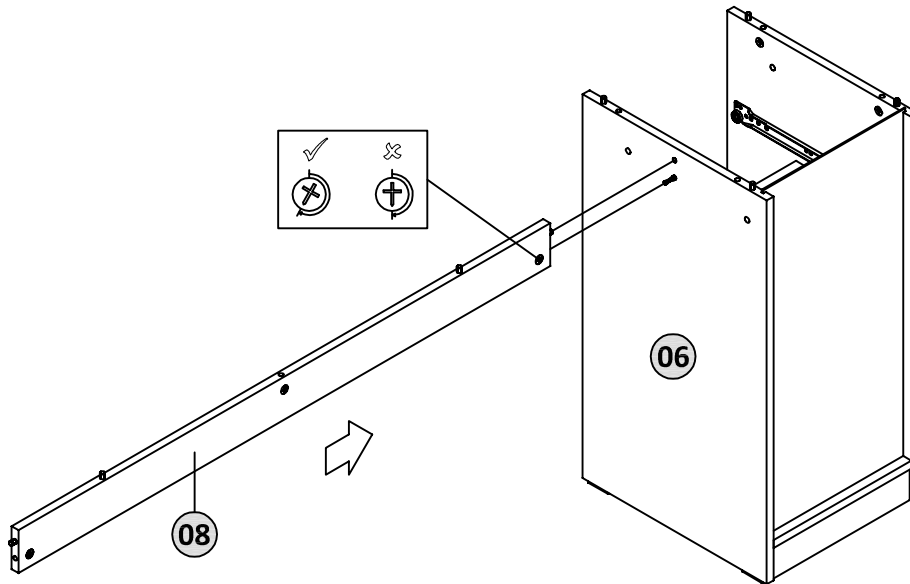
41



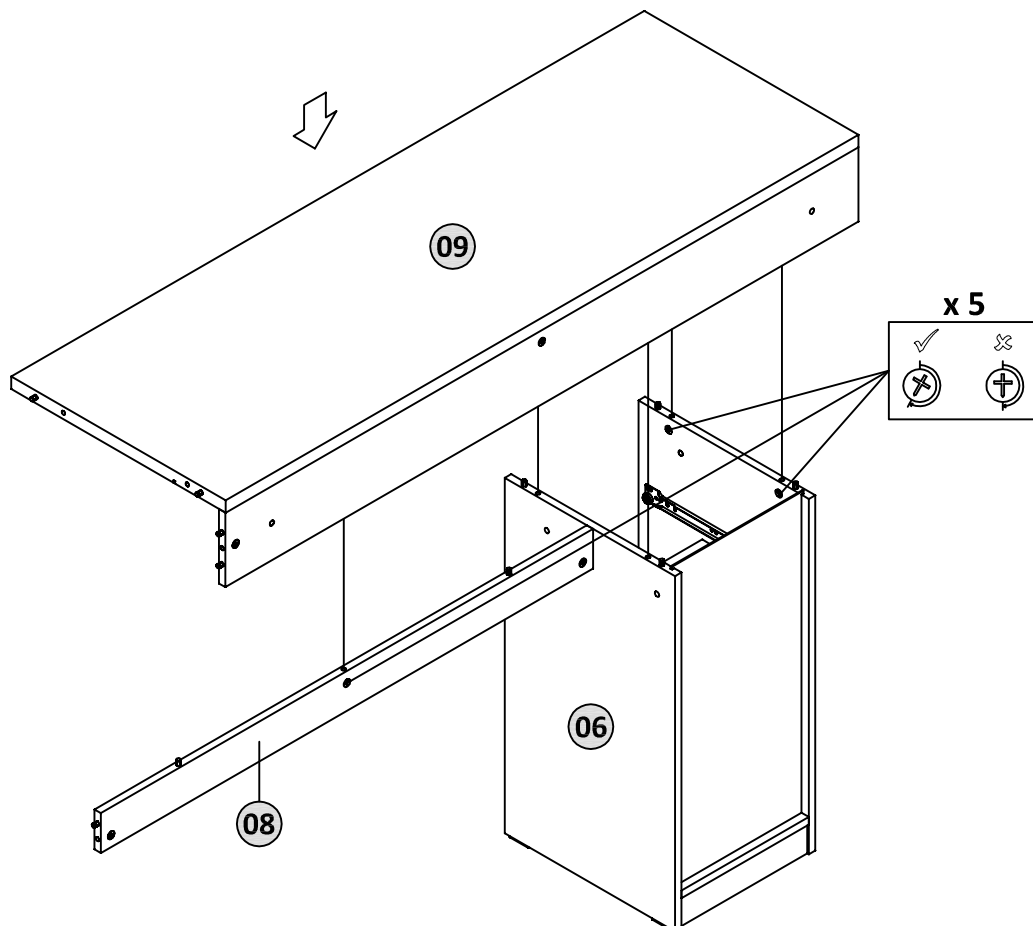
# Guide To Assembly

## Model : Eden High Sleeper

42



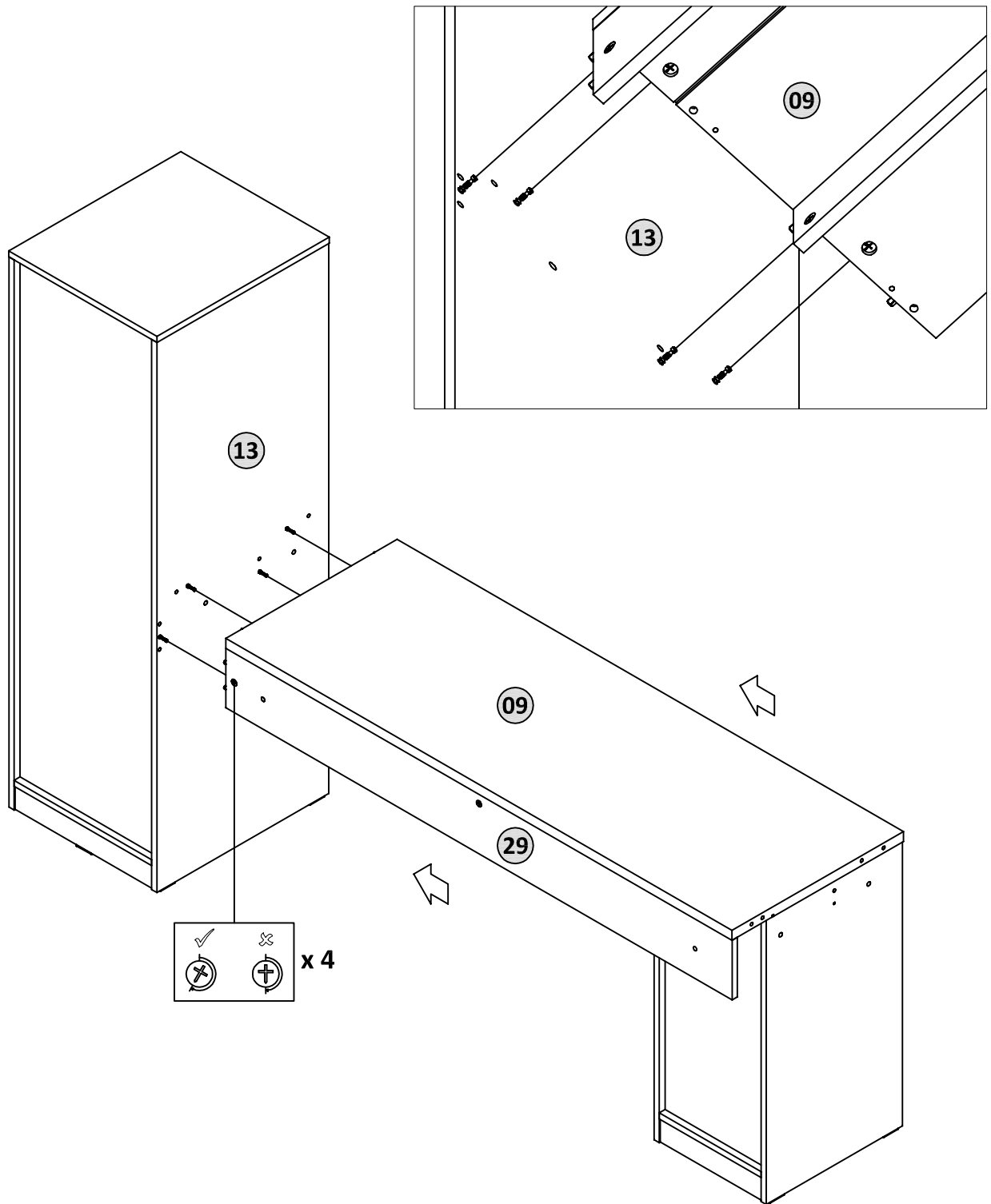
43



# Guide To Assembly

## Model : Eden High Sleeper

44



# Guide To Assembly

## Model : Eden High Sleeper

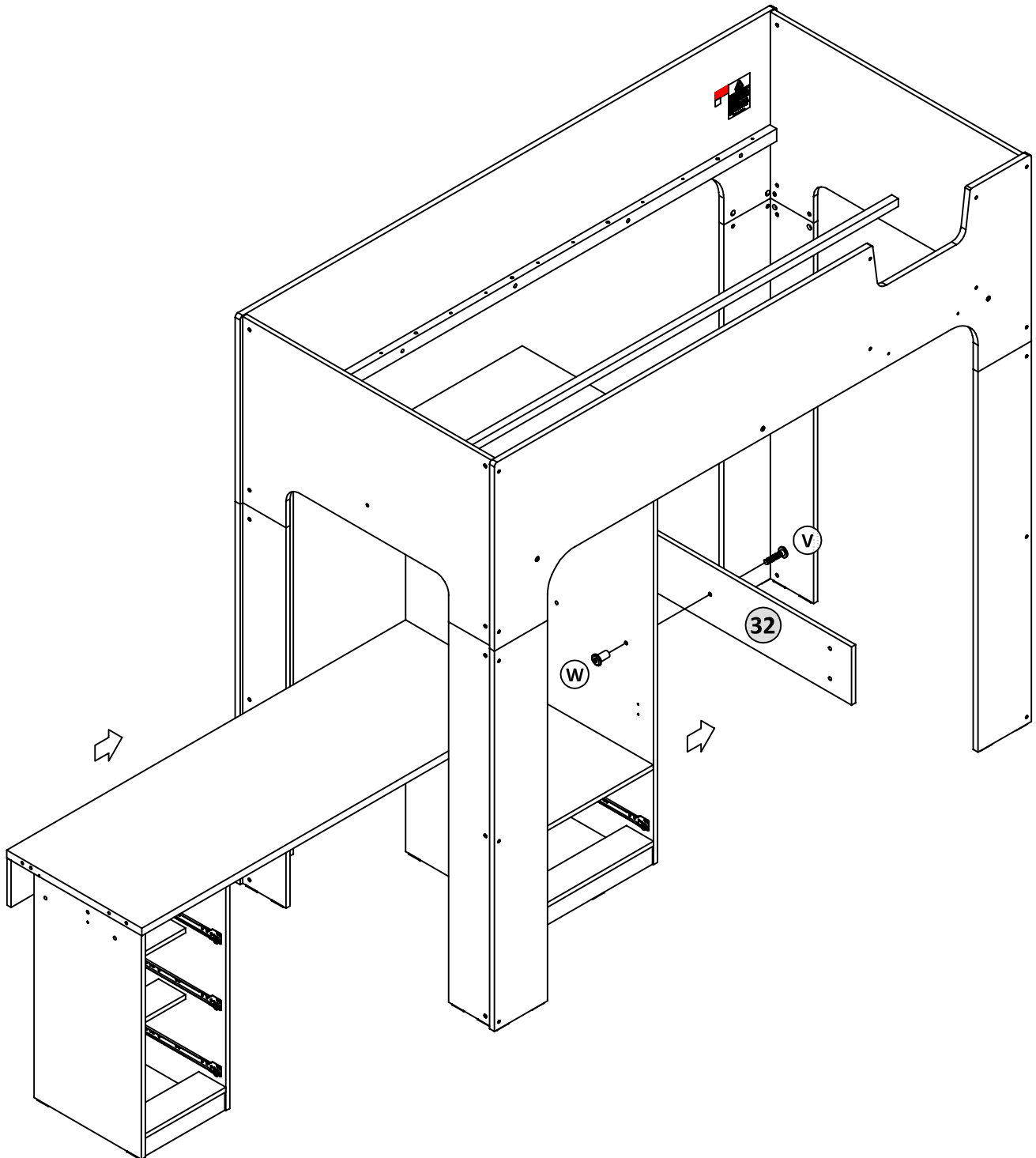
45



V x 1



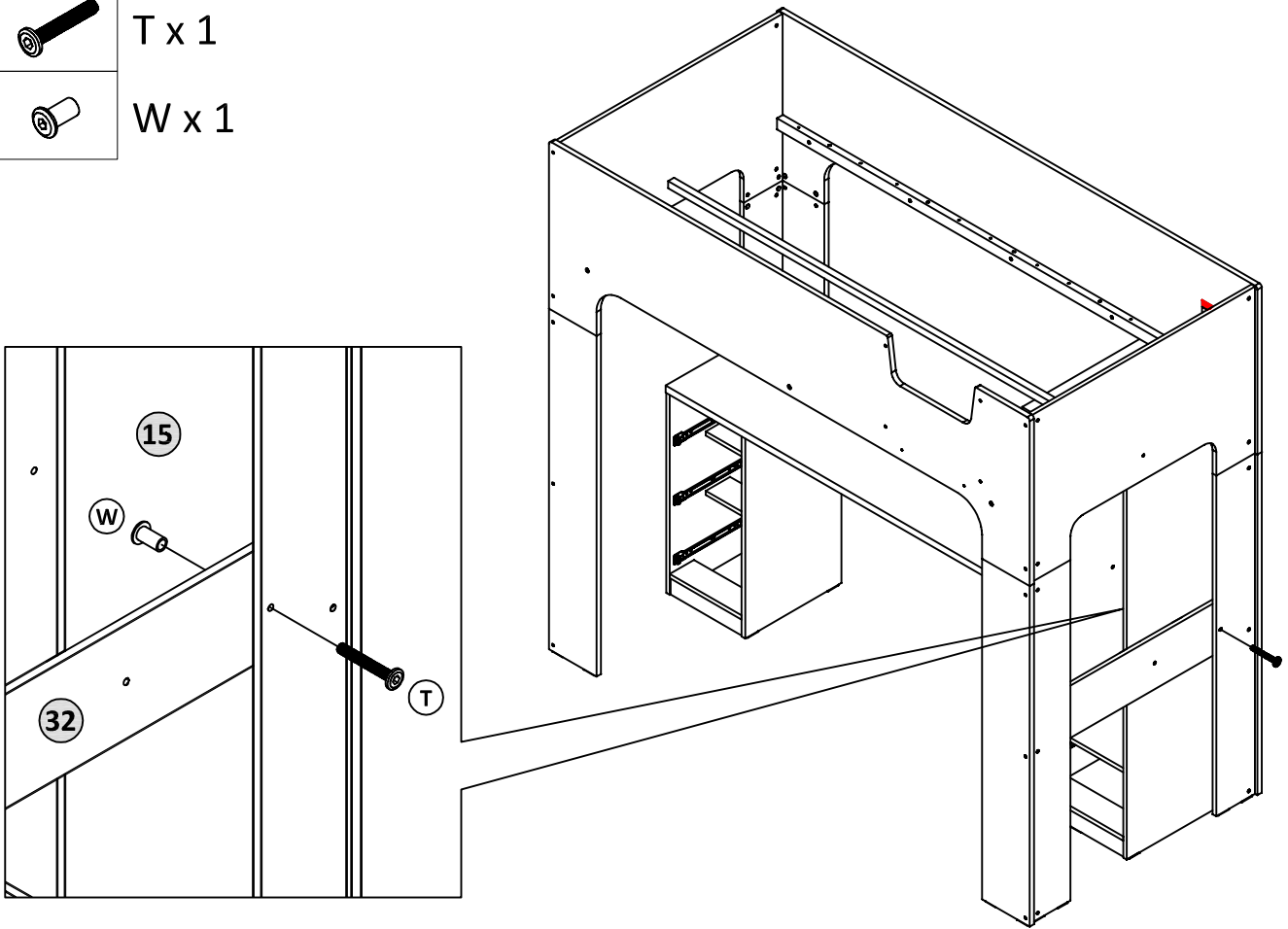
W x 1



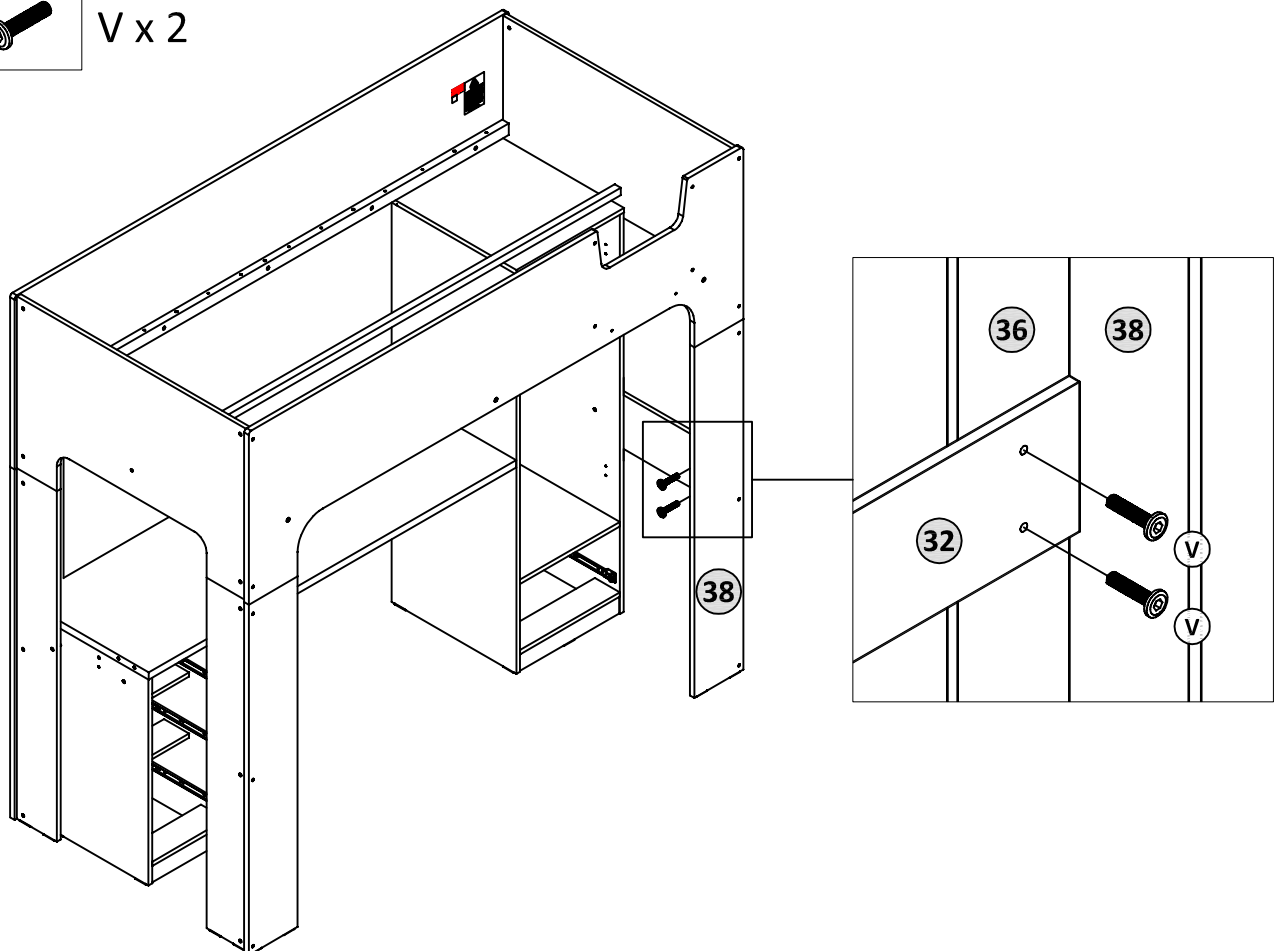
# Guide To Assembly

## Model : Eden High Sleeper

- 46
- T x 1
  - W x 1



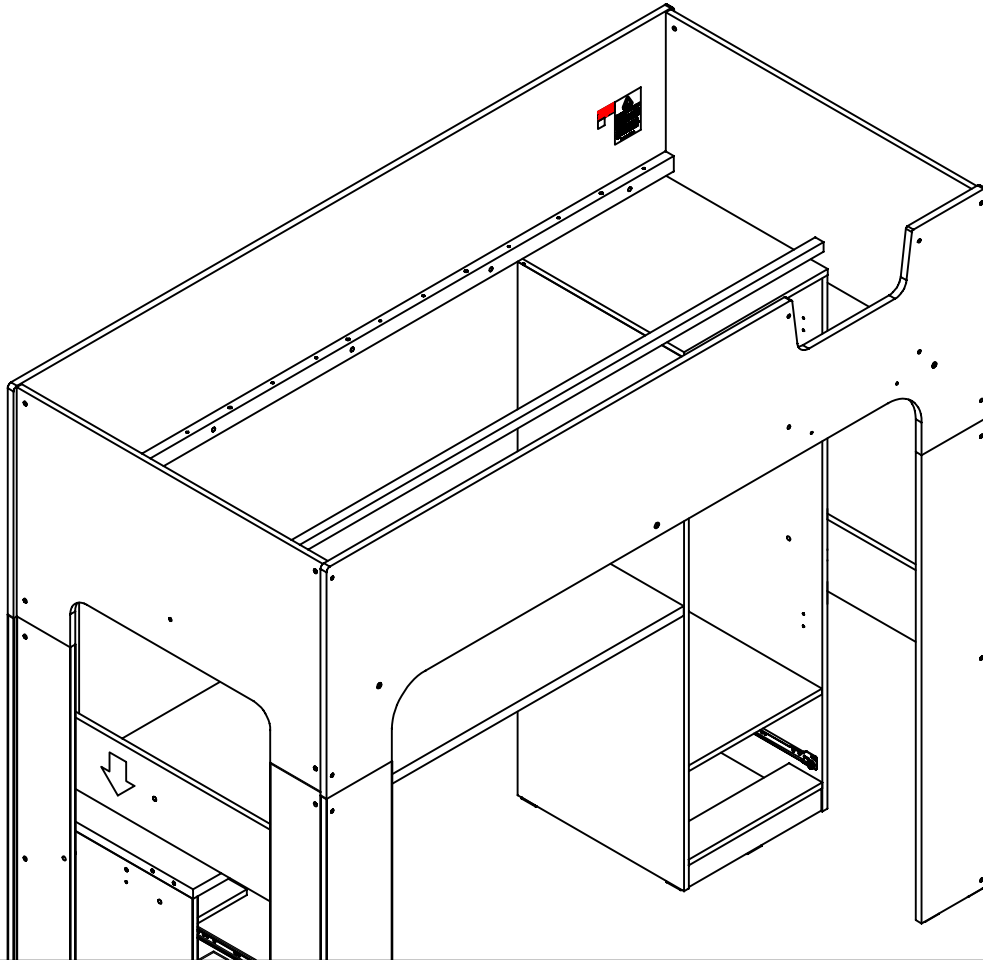
- 47
- V x 2



# Guide To Assembly

## Model : Eden High Sleeper

48



49



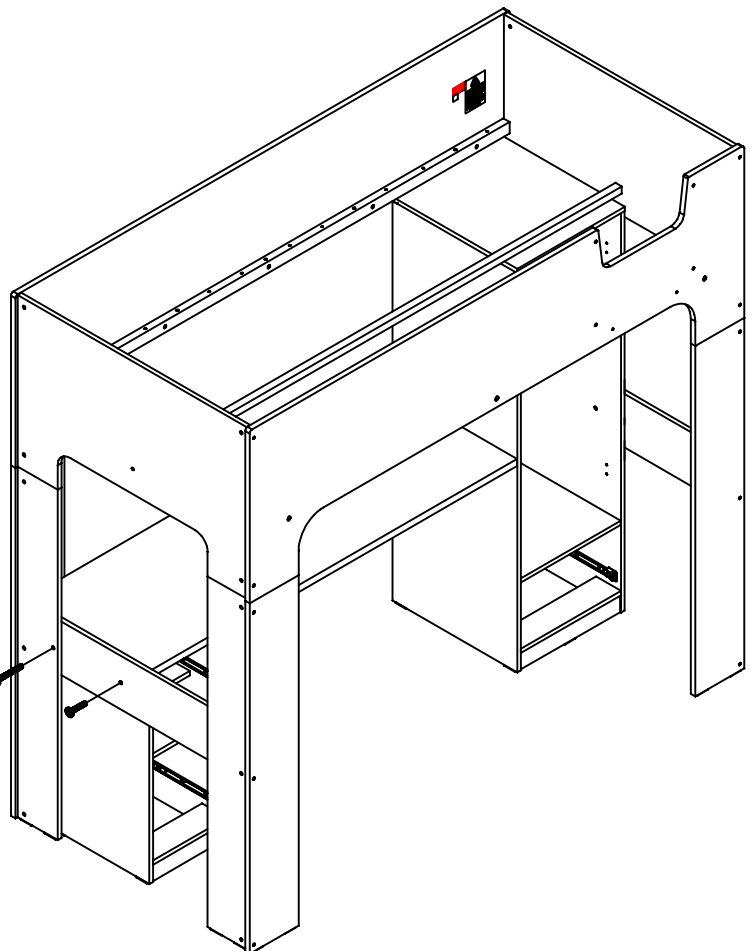
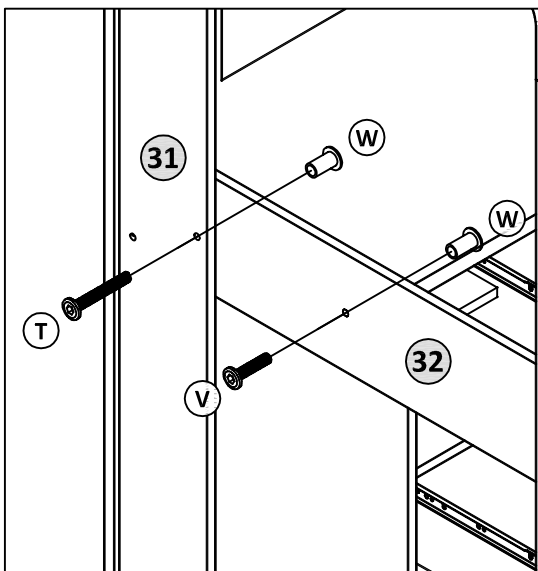
T x 1



V x 1



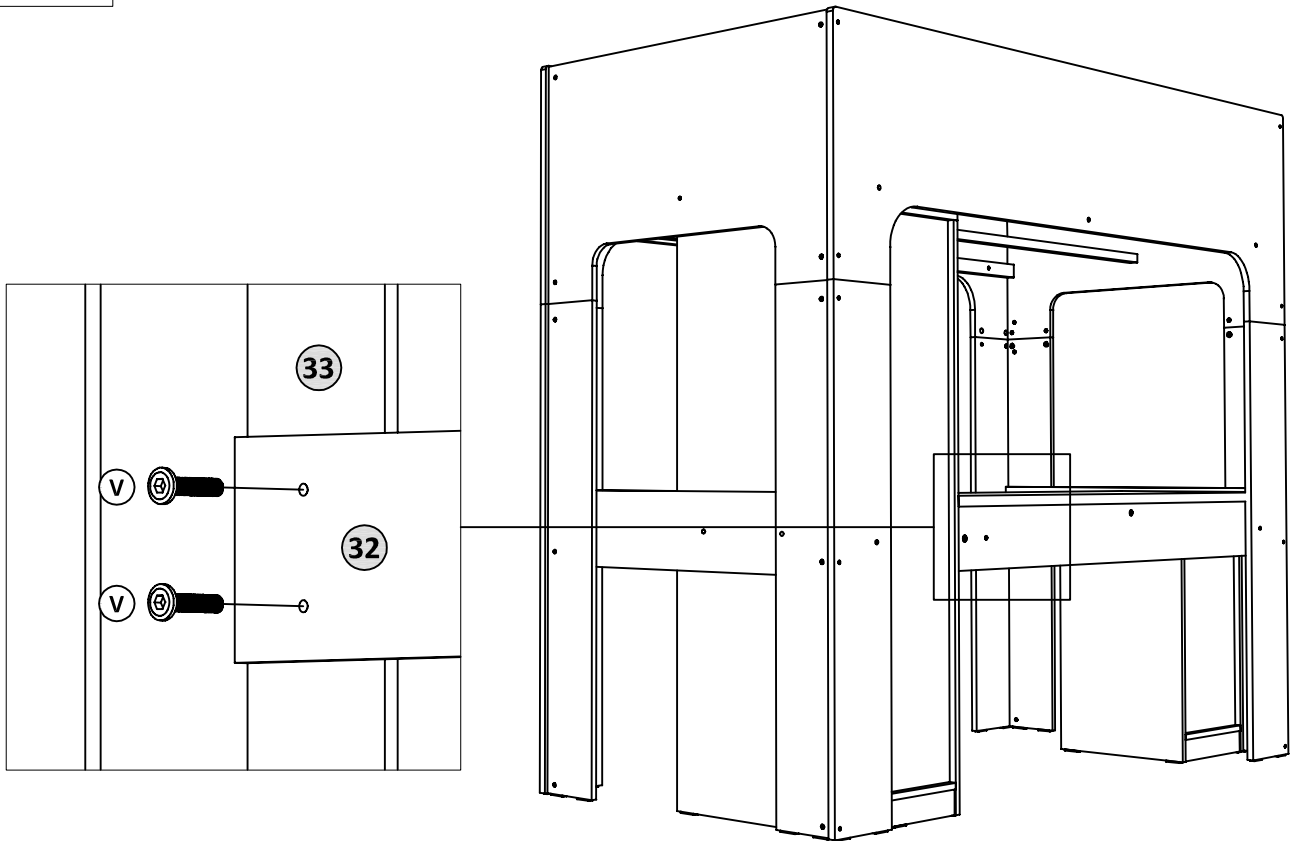
W x 2





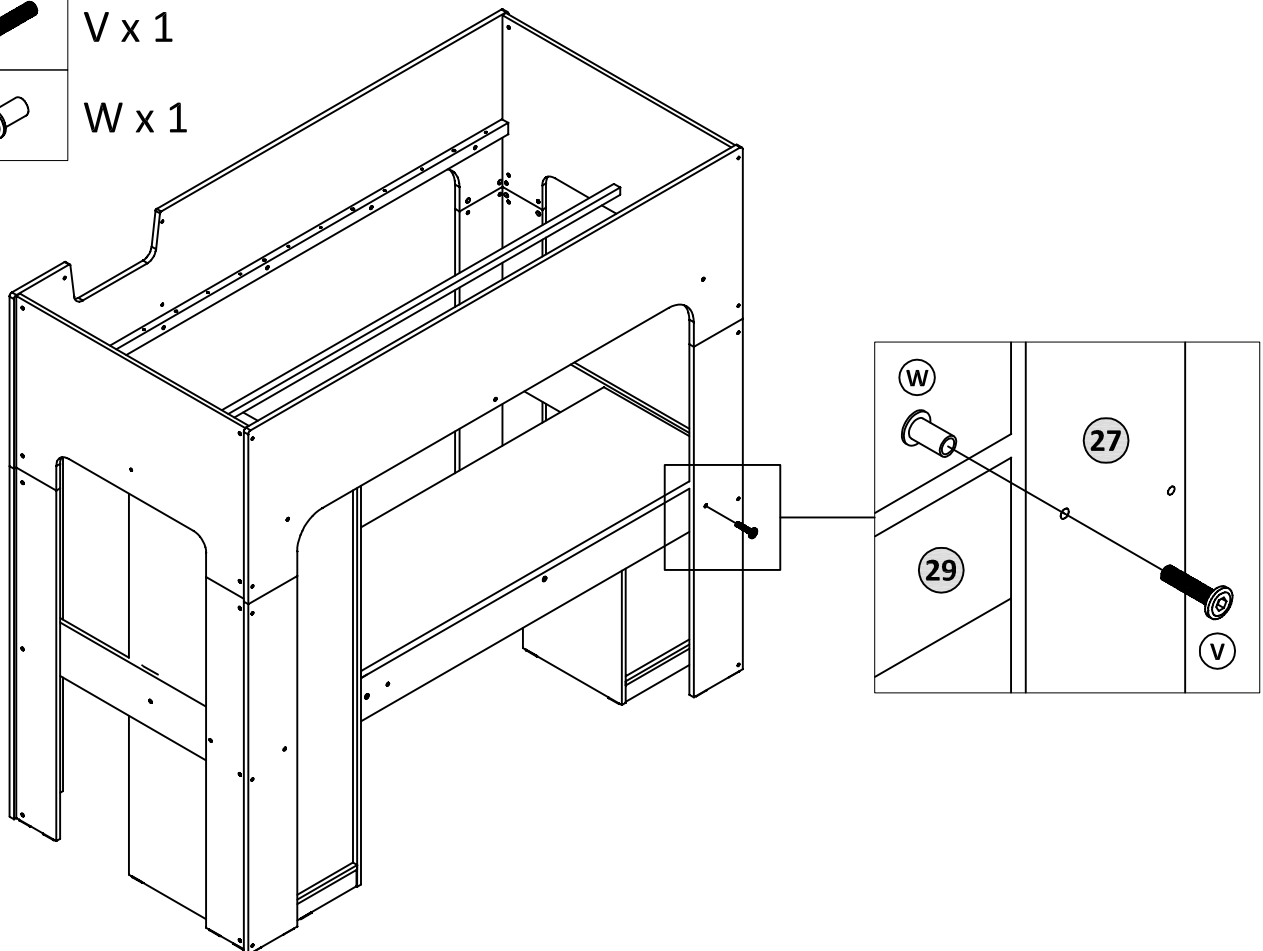
# Guide To Assembly

## Model : Eden High Sleeper

50  V x 2



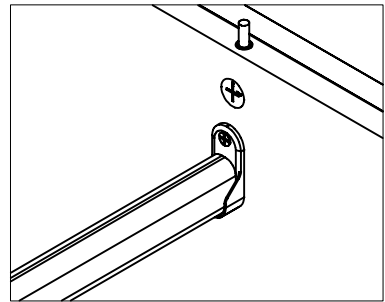
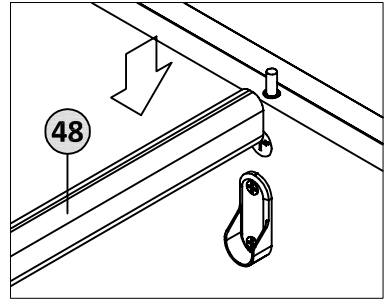
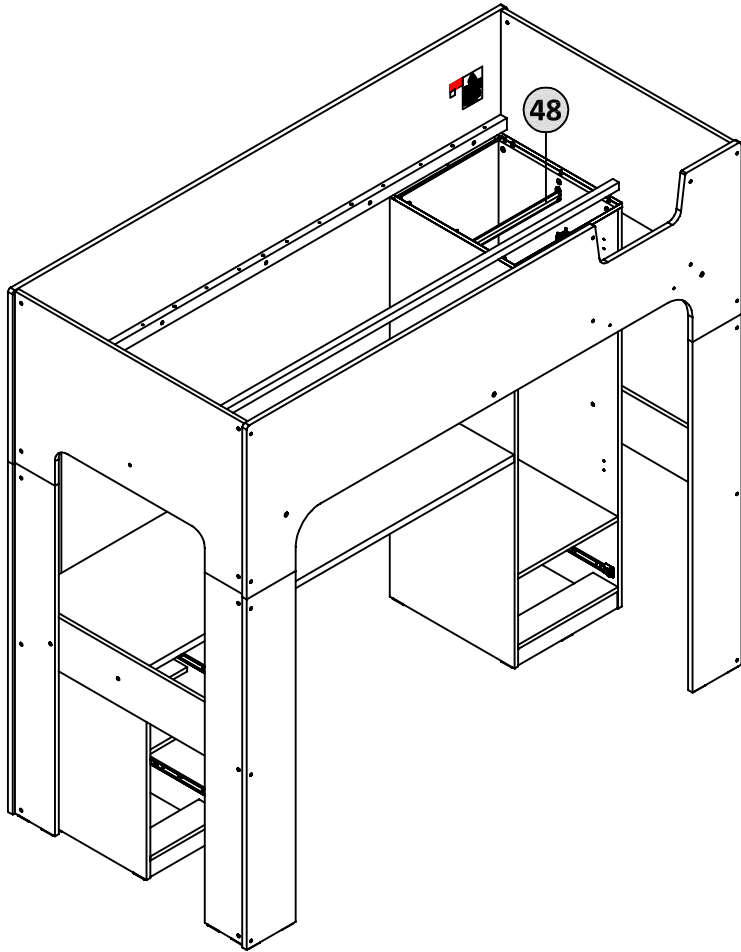
51  V x 1  
 W x 1



# Guide To Assembly

## Model : Eden High Sleeper

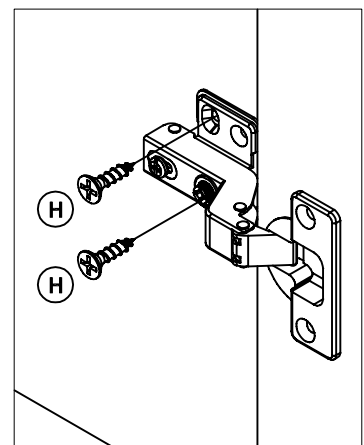
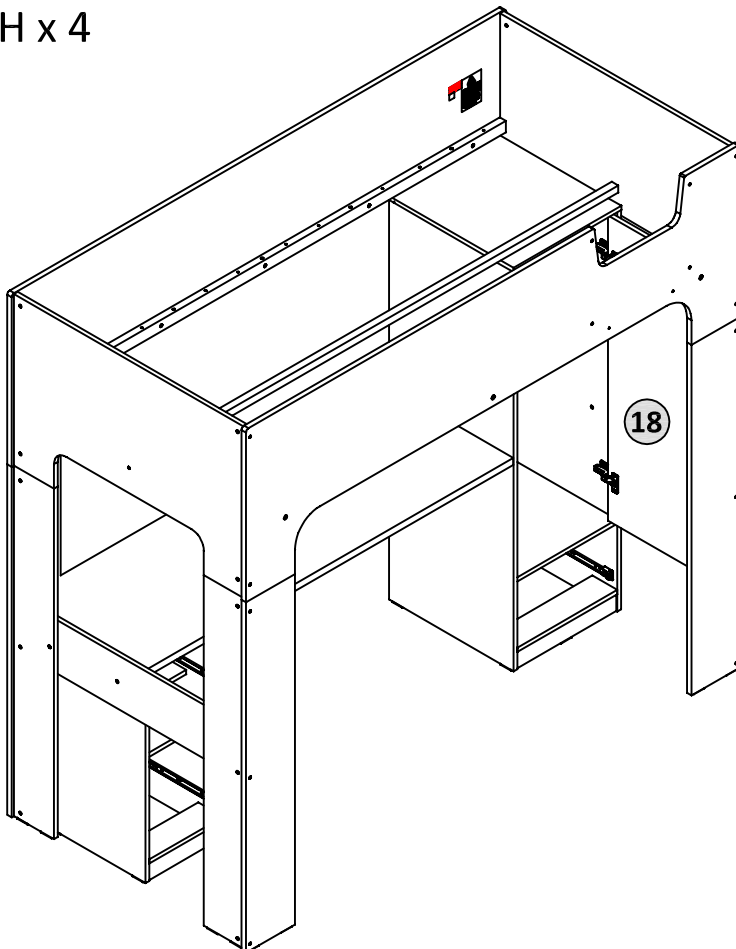
52



53



H x 4

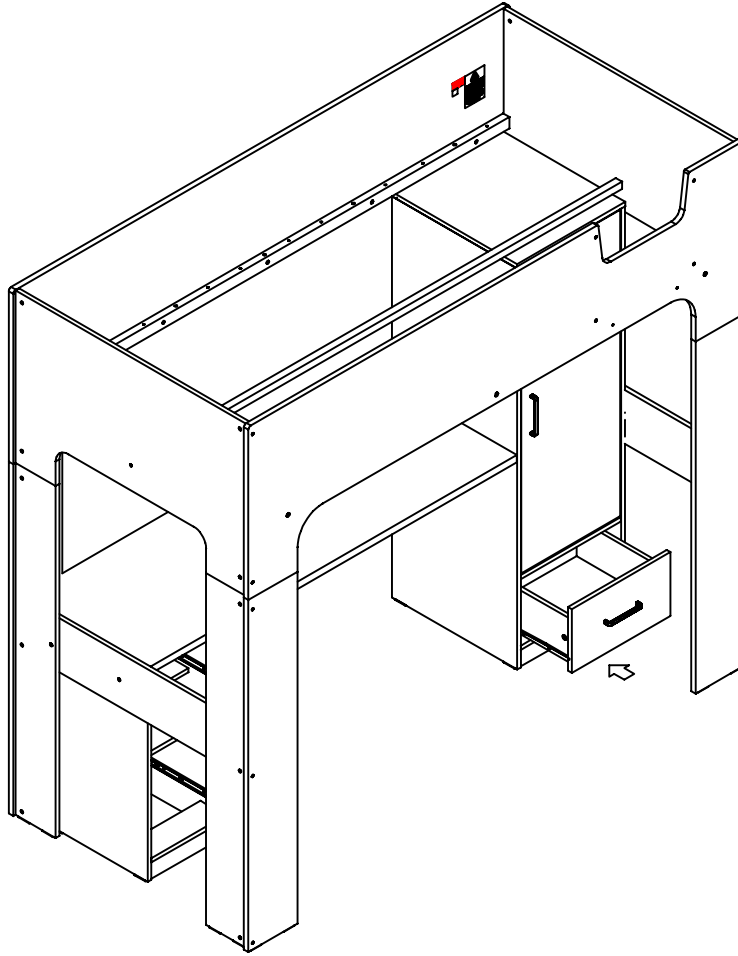




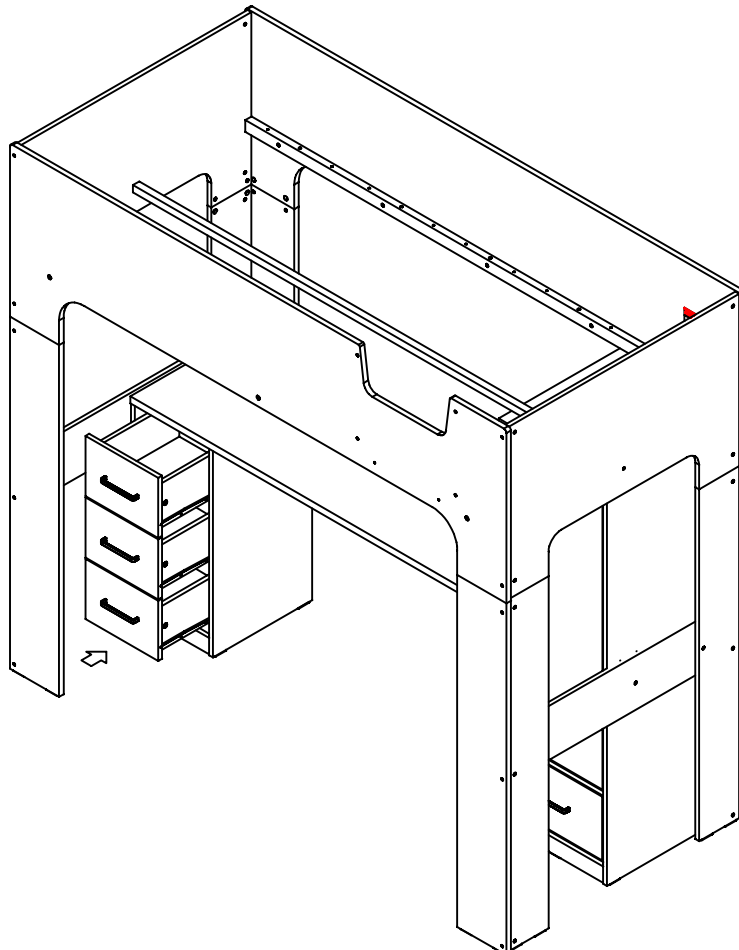
# Guide To Assembly

## Model : Eden High Sleeper

54



55




# Guide To Assembly

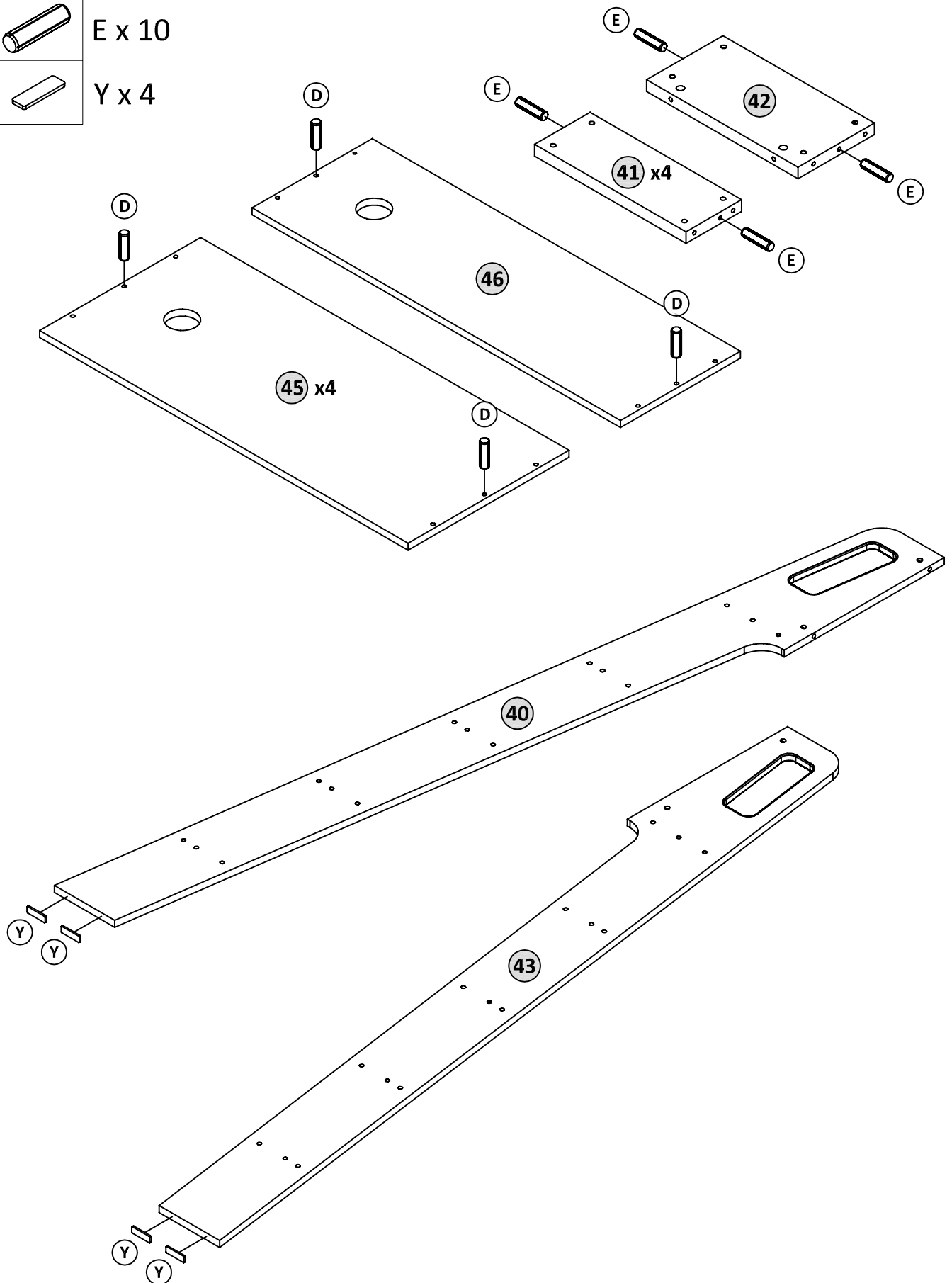
## Model : Eden High Sleeper

56

 D x 10

 E x 10

 Y x 4



# Guide To Assembly

## Model : Eden High Sleeper

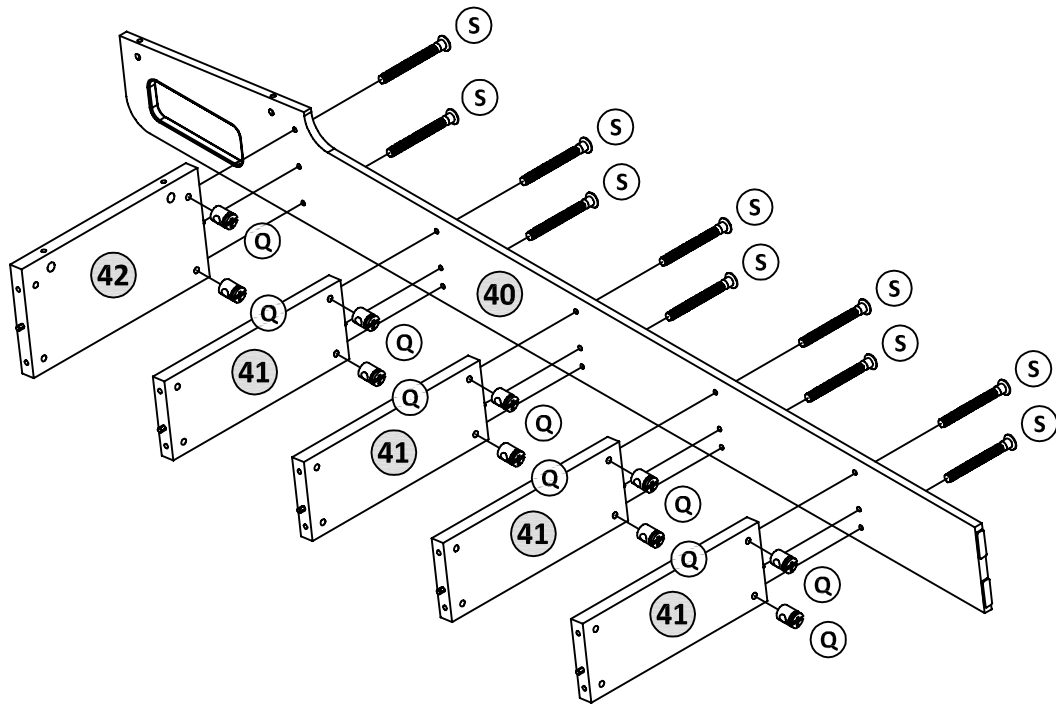
57



Q x 10



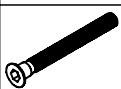
S x 10



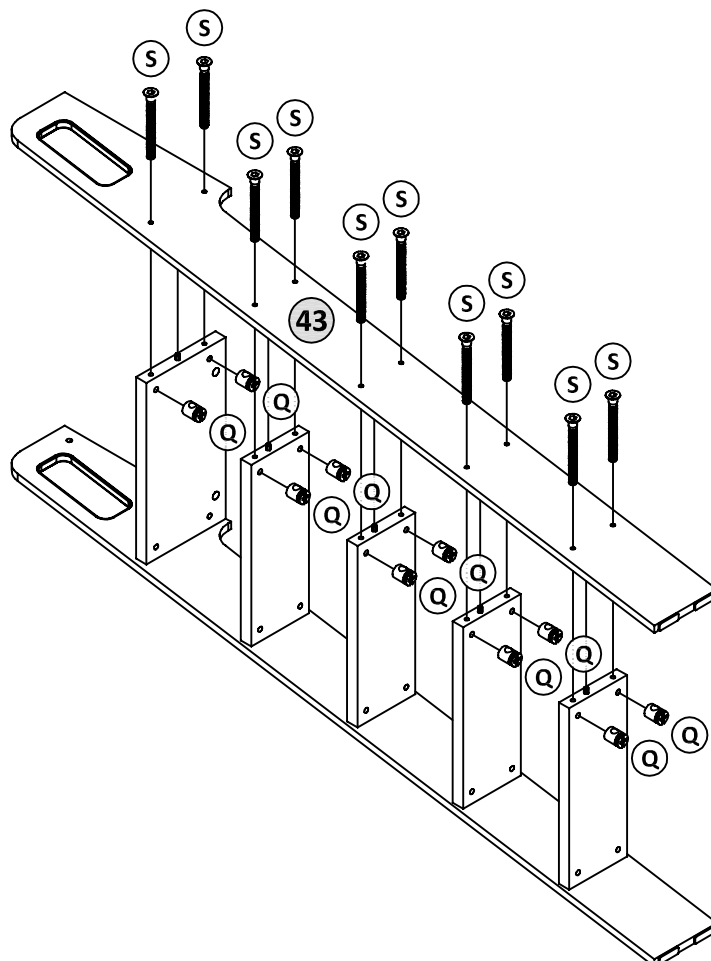
58



Q x 10



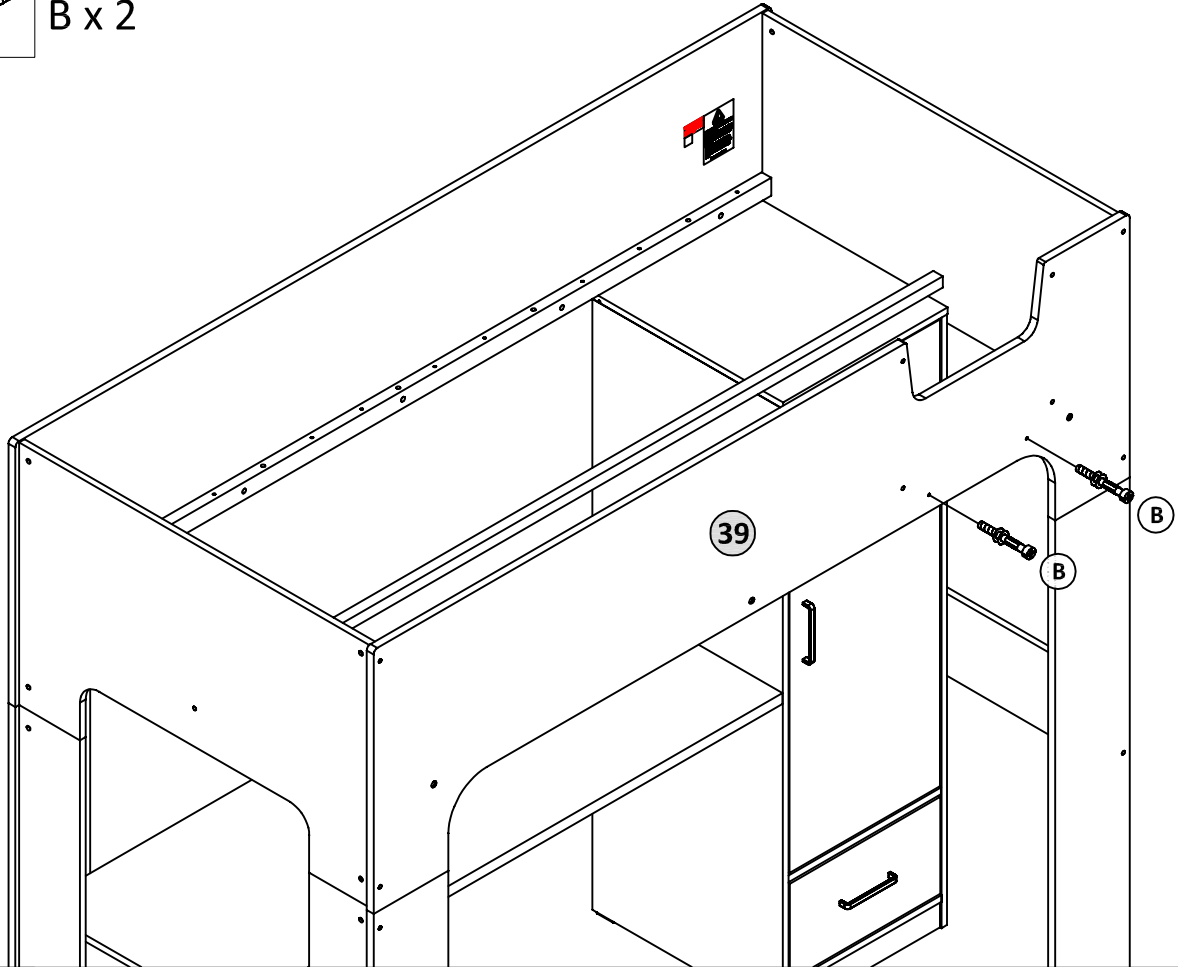
S x 10



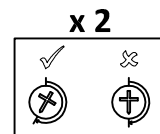
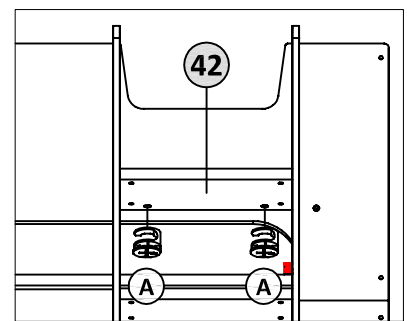
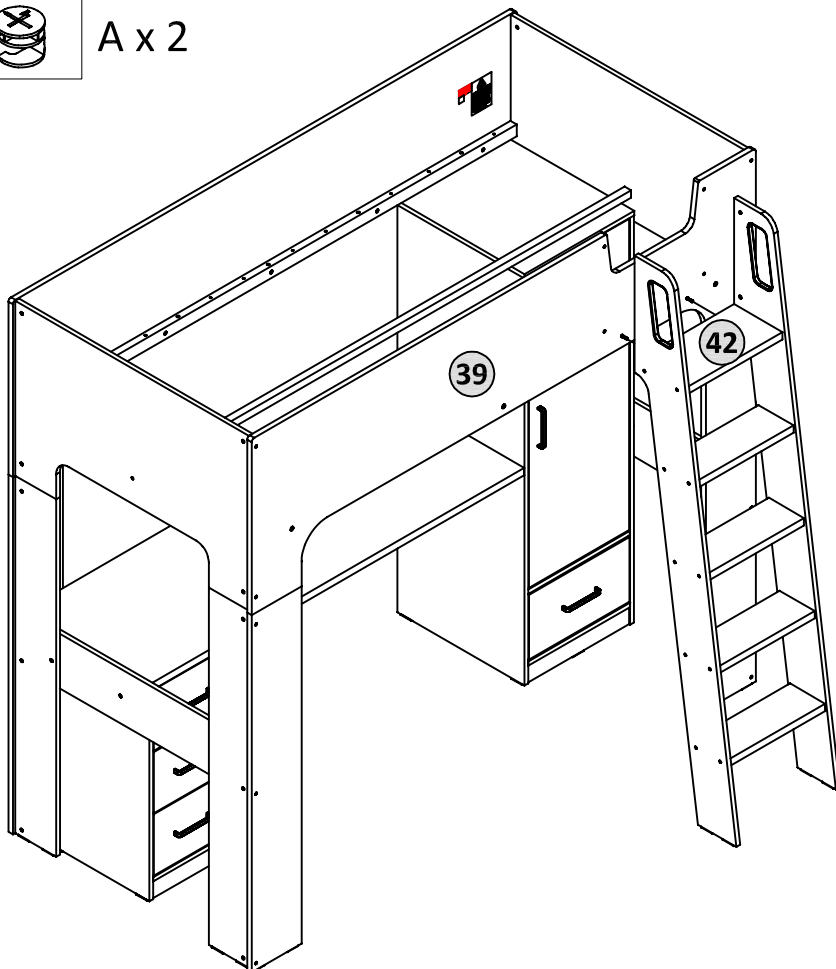
# Guide To Assembly

## Model : Eden High Sleeper

59  B x 2



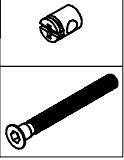
60  A x 2



# Guide To Assembly

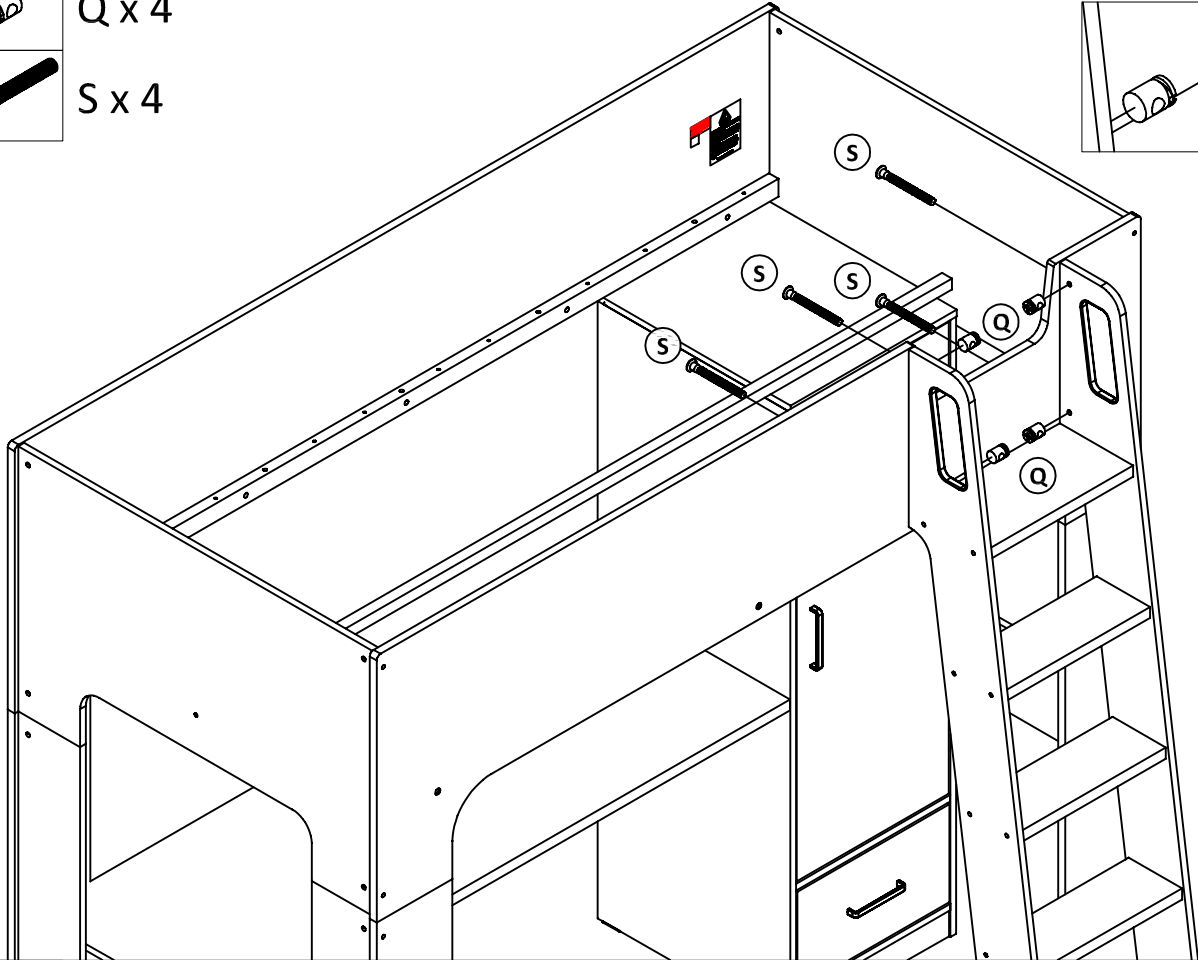
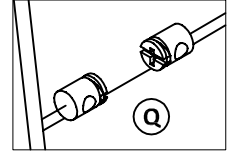
## Model : Eden High Sleeper

61



Q x 4

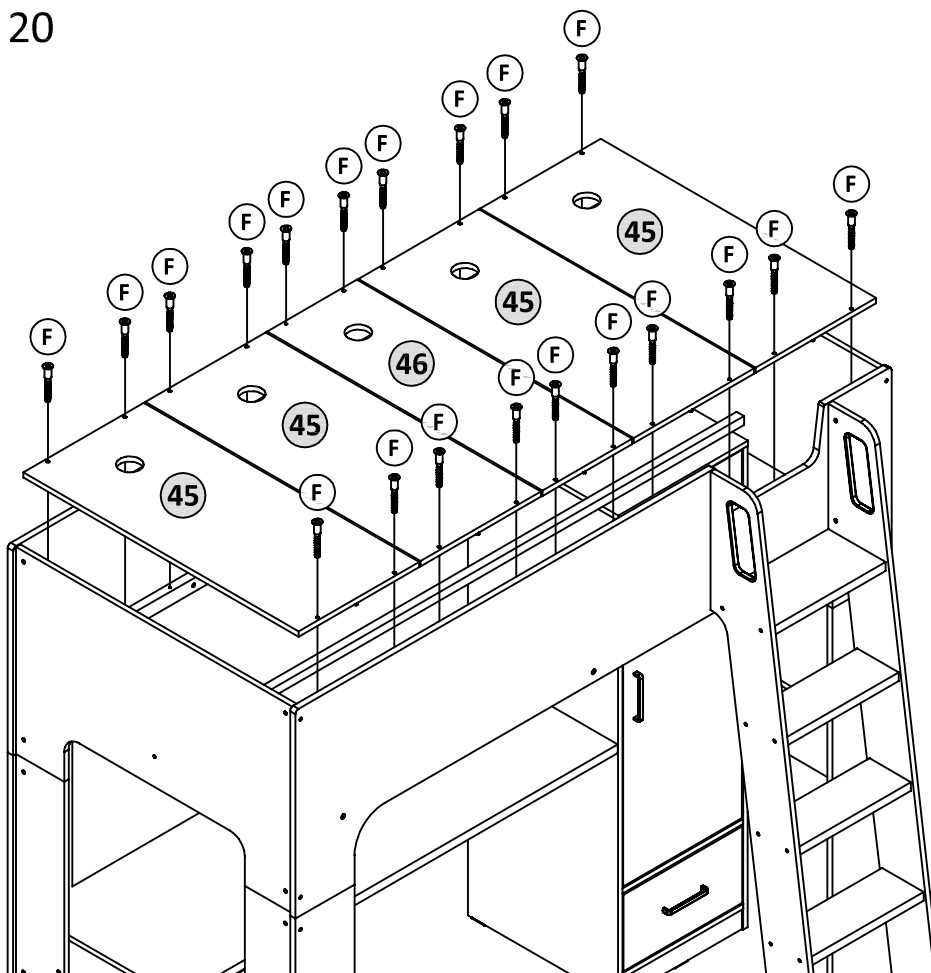
S x 4



62



F x 20



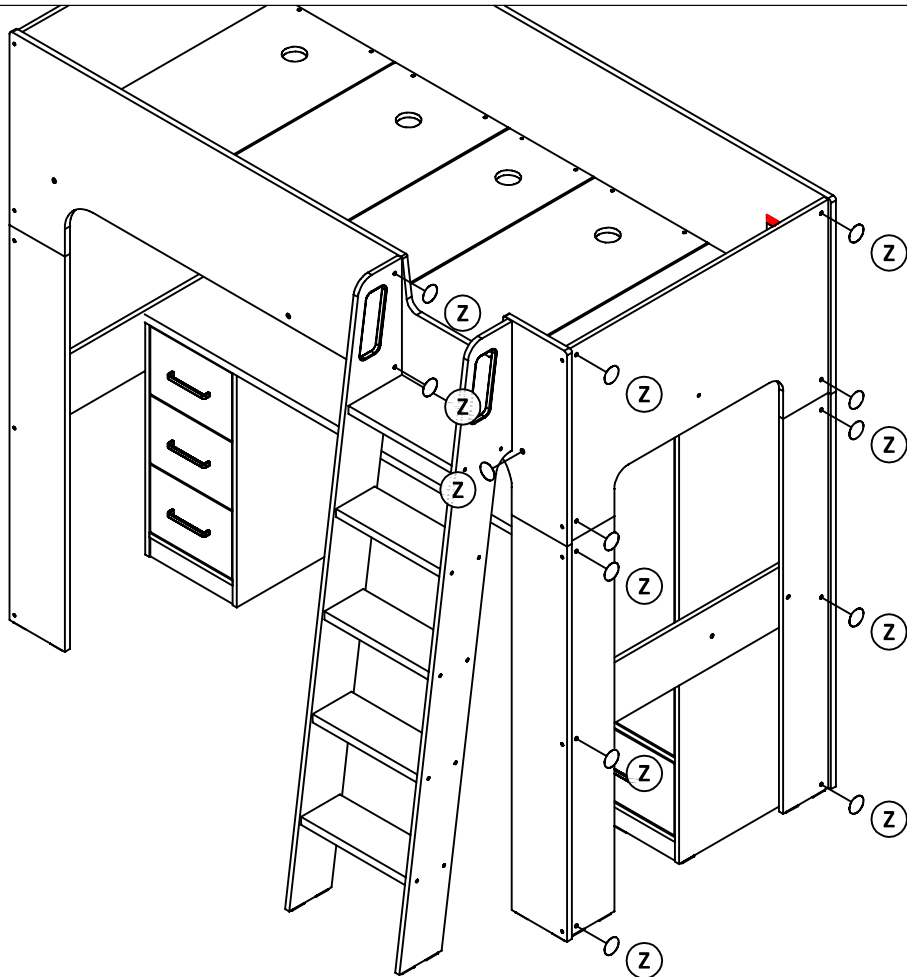
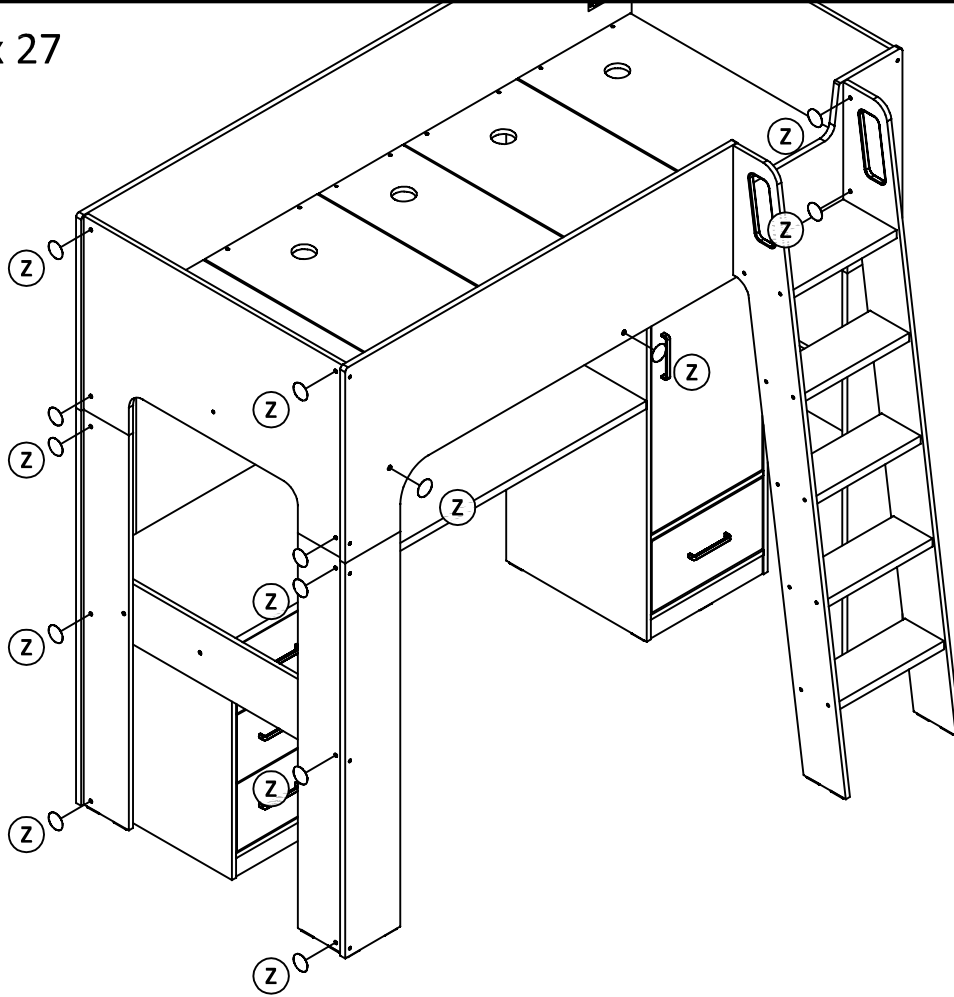
# Guide To Assembly

## Model : Eden High Sleeper

63



Z x 27



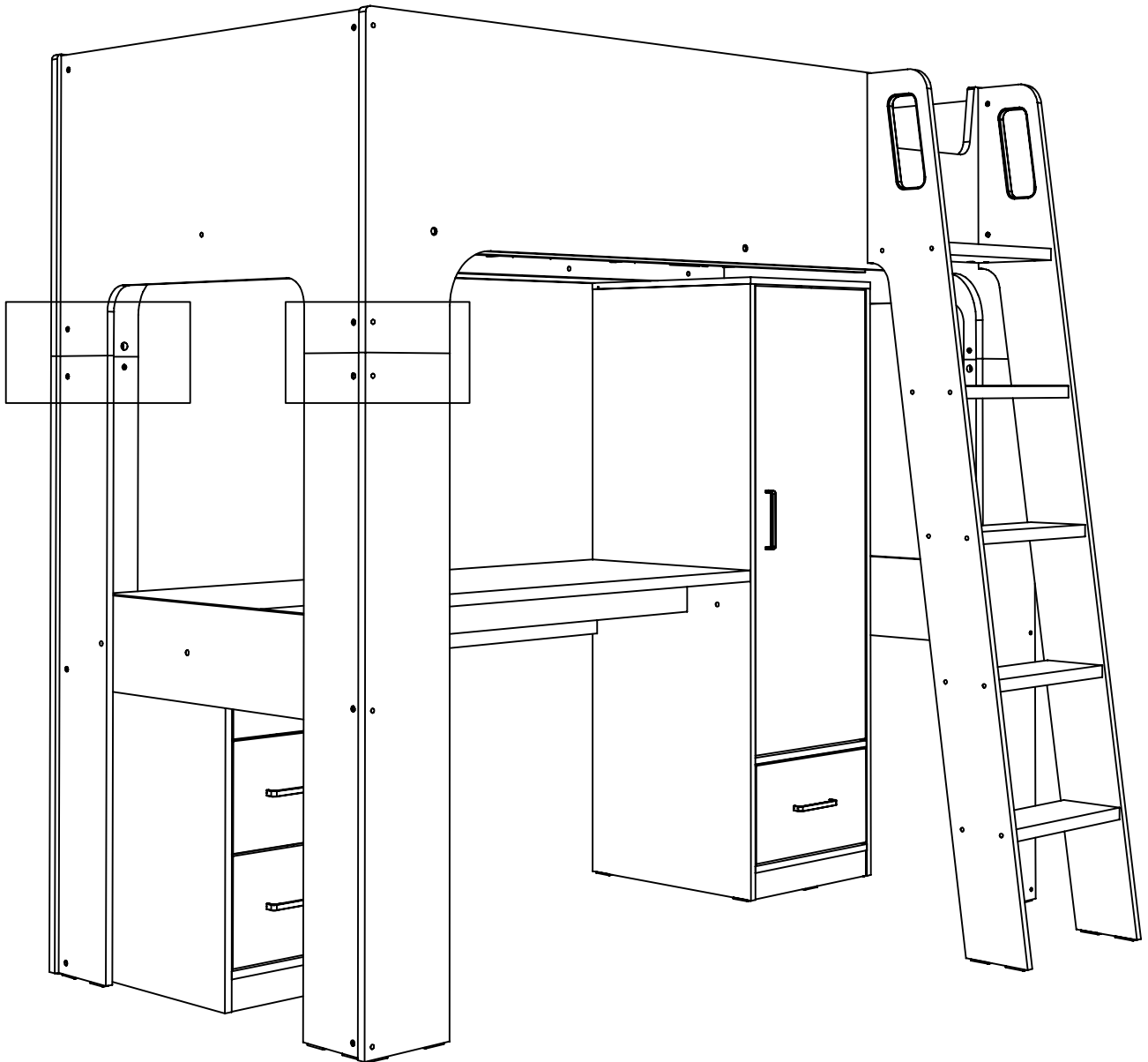
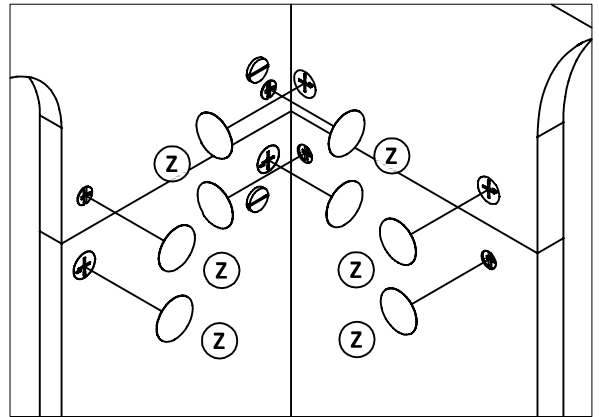
# Guide To Assembly

## Model : Eden High Sleeper

64



Z x 24



# Guide To Assembly

## Model : Eden High Sleeper

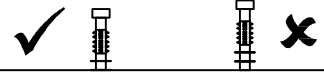
38



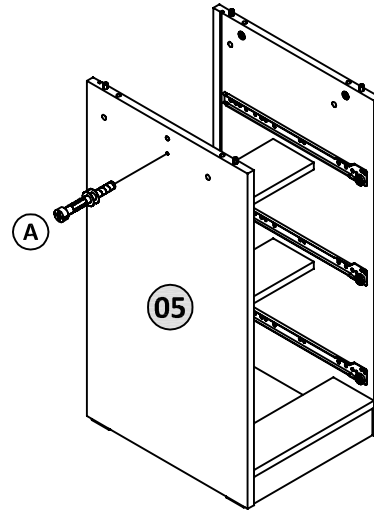
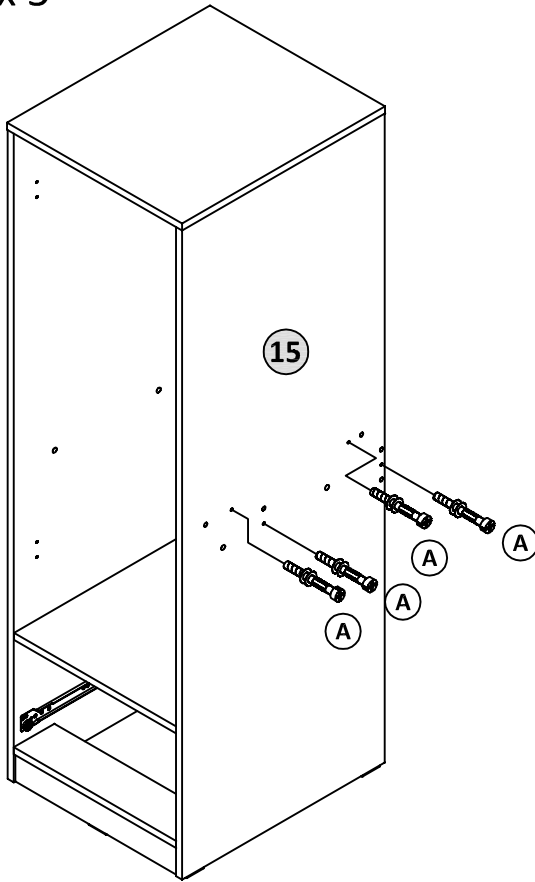
B x 5

Option B

**WHEN FITTING CAM STUD**  
ENSURE THE CAM STUD IS FULLY TIGHTEN IN



CORRECT      WRONG



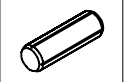
39



A x 7



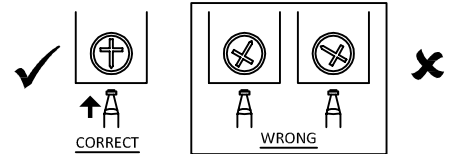
B x 6



D x 10

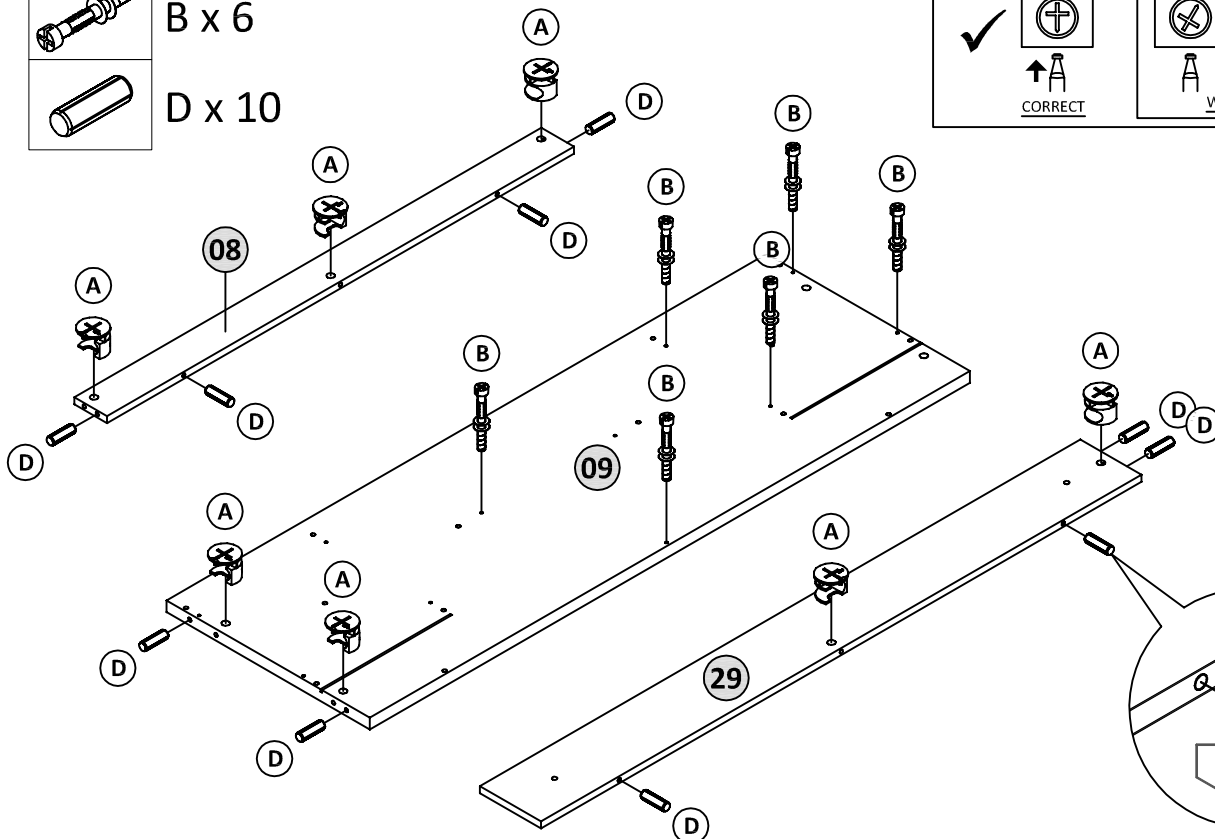
**WHEN FITTING CAMS**

ENSURE STARTING POSITION IS CORRECT  
BEFORE YOU INSERT CONNECTING BOLT  
TURN CLOCKWISE UNTIL SECURE



CORRECT

WRONG

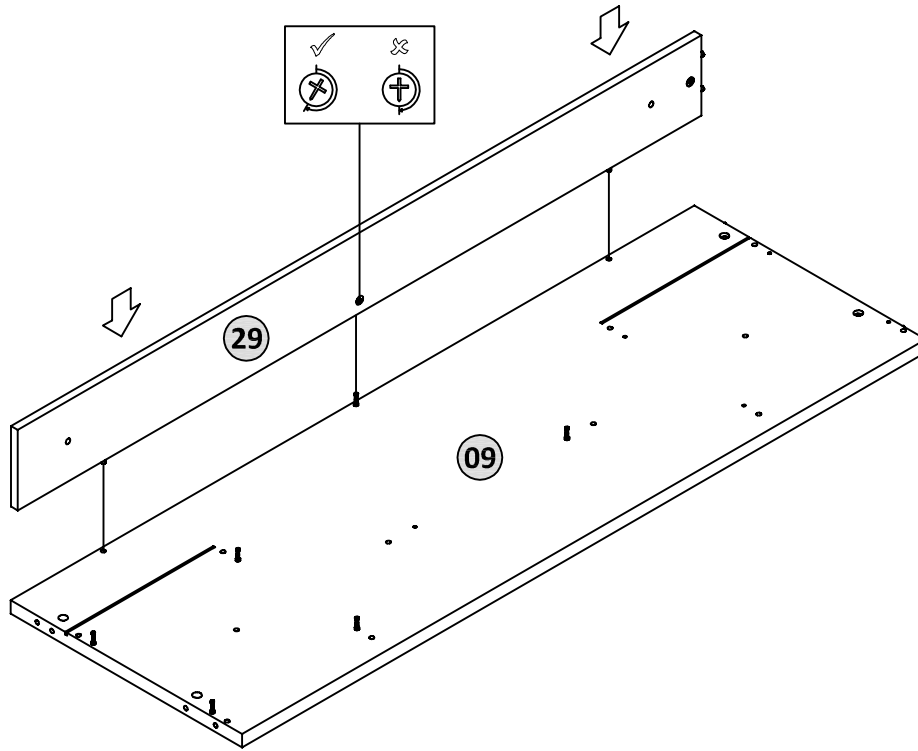




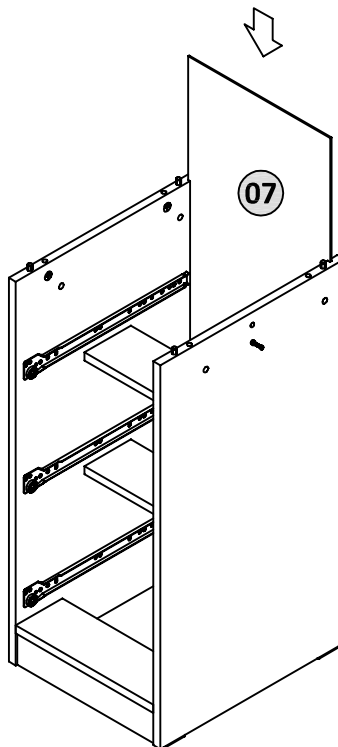
# Guide To Assembly

## Model : Eden High Sleeper

40



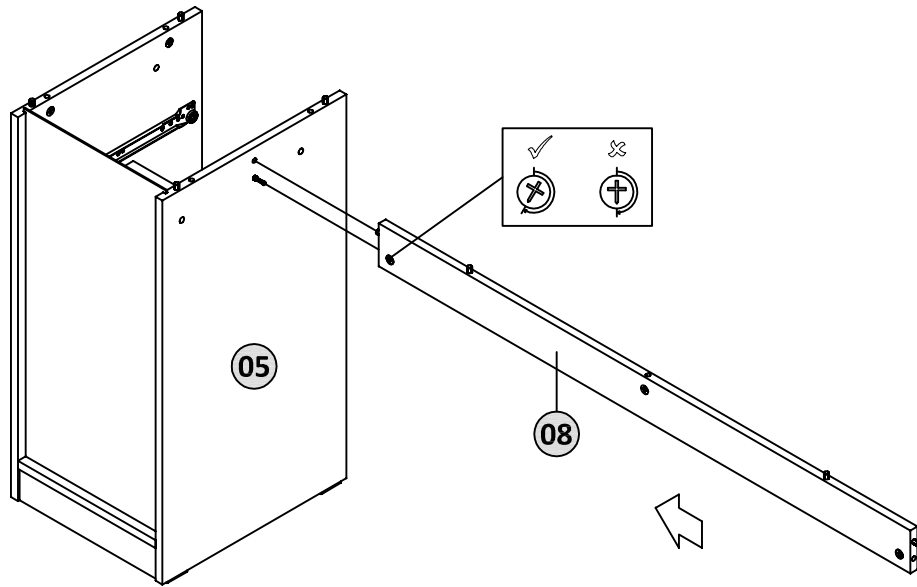
41



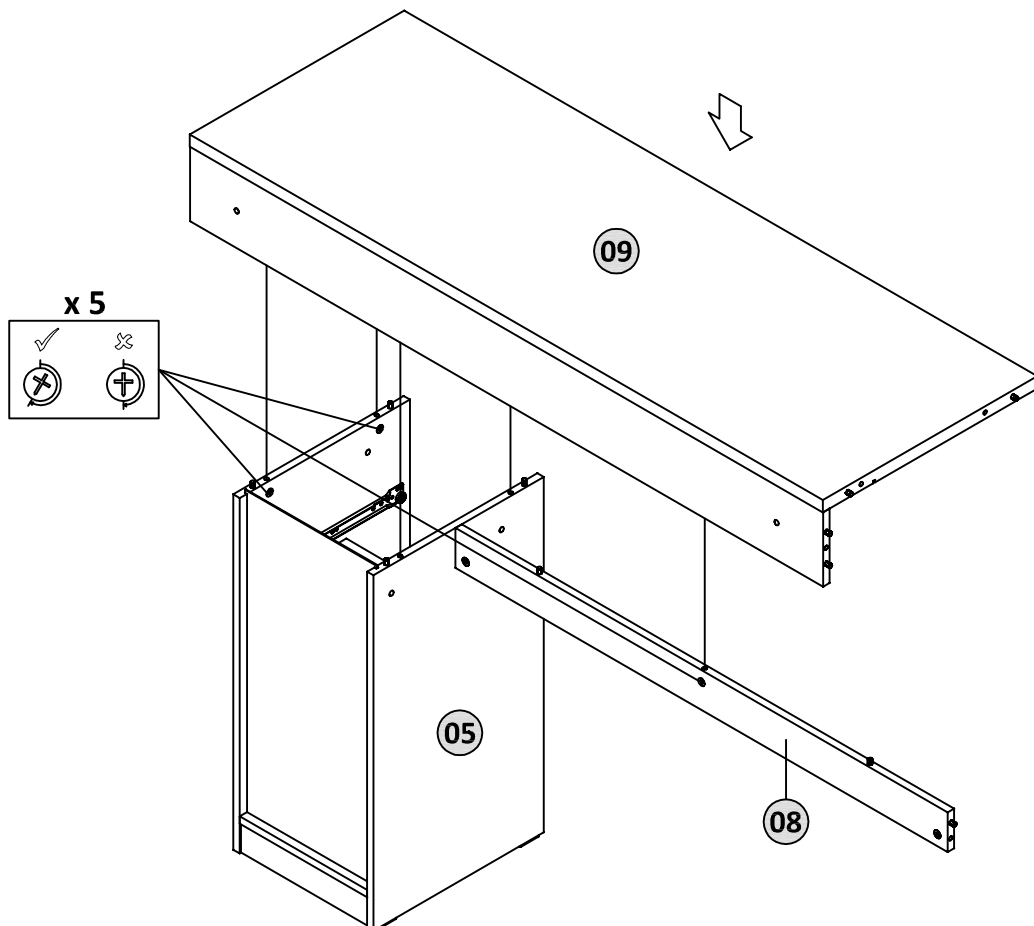
# Guide To Assembly

## Model : Eden High Sleeper

42



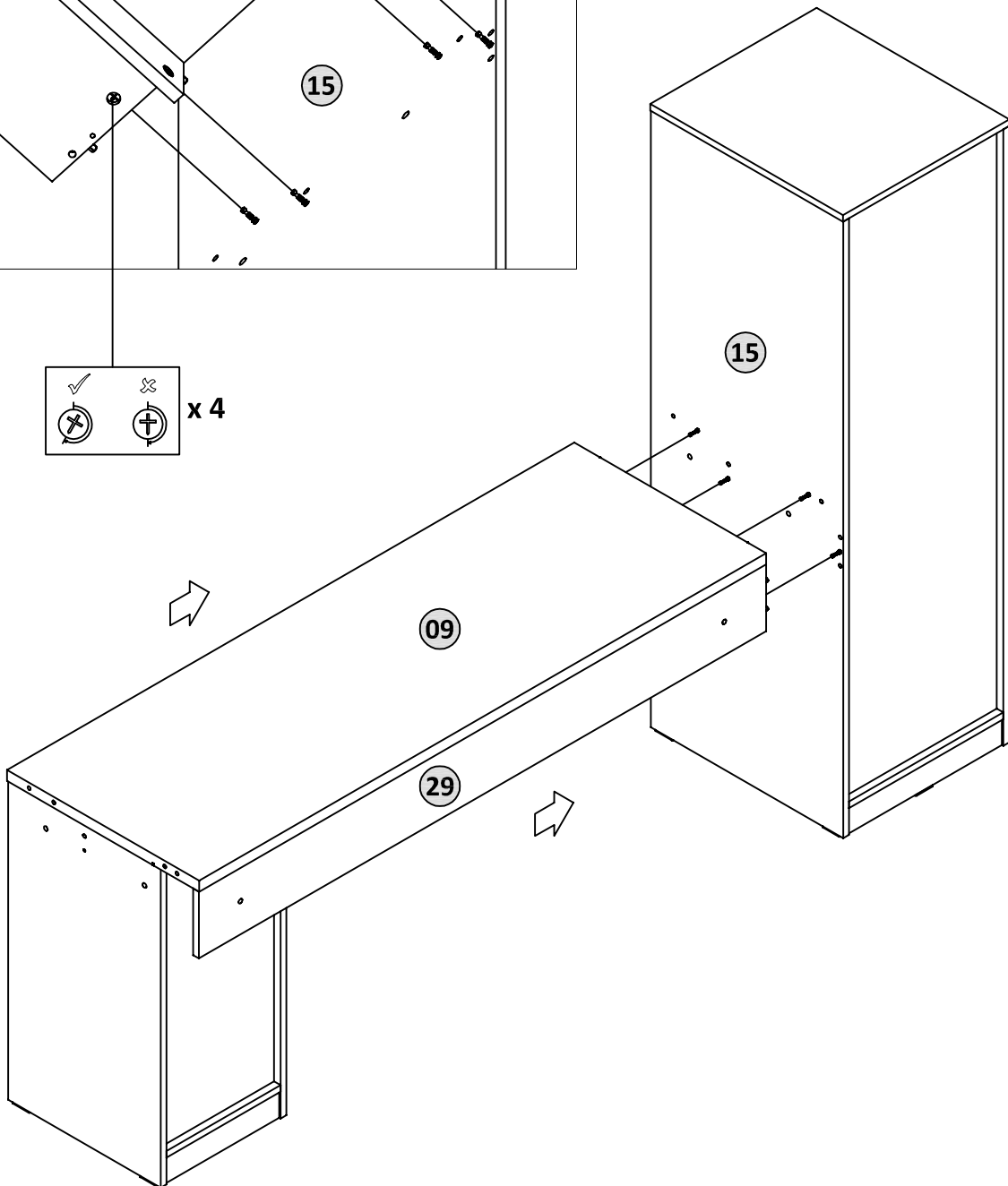
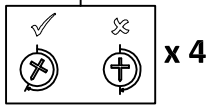
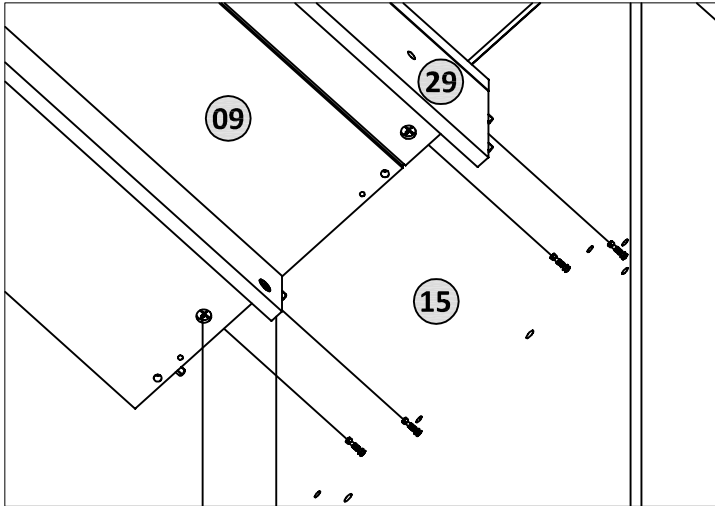
43



# Guide To Assembly

## Model : Eden High Sleeper

44



# Guide To Assembly

## Model : Eden High Sleeper

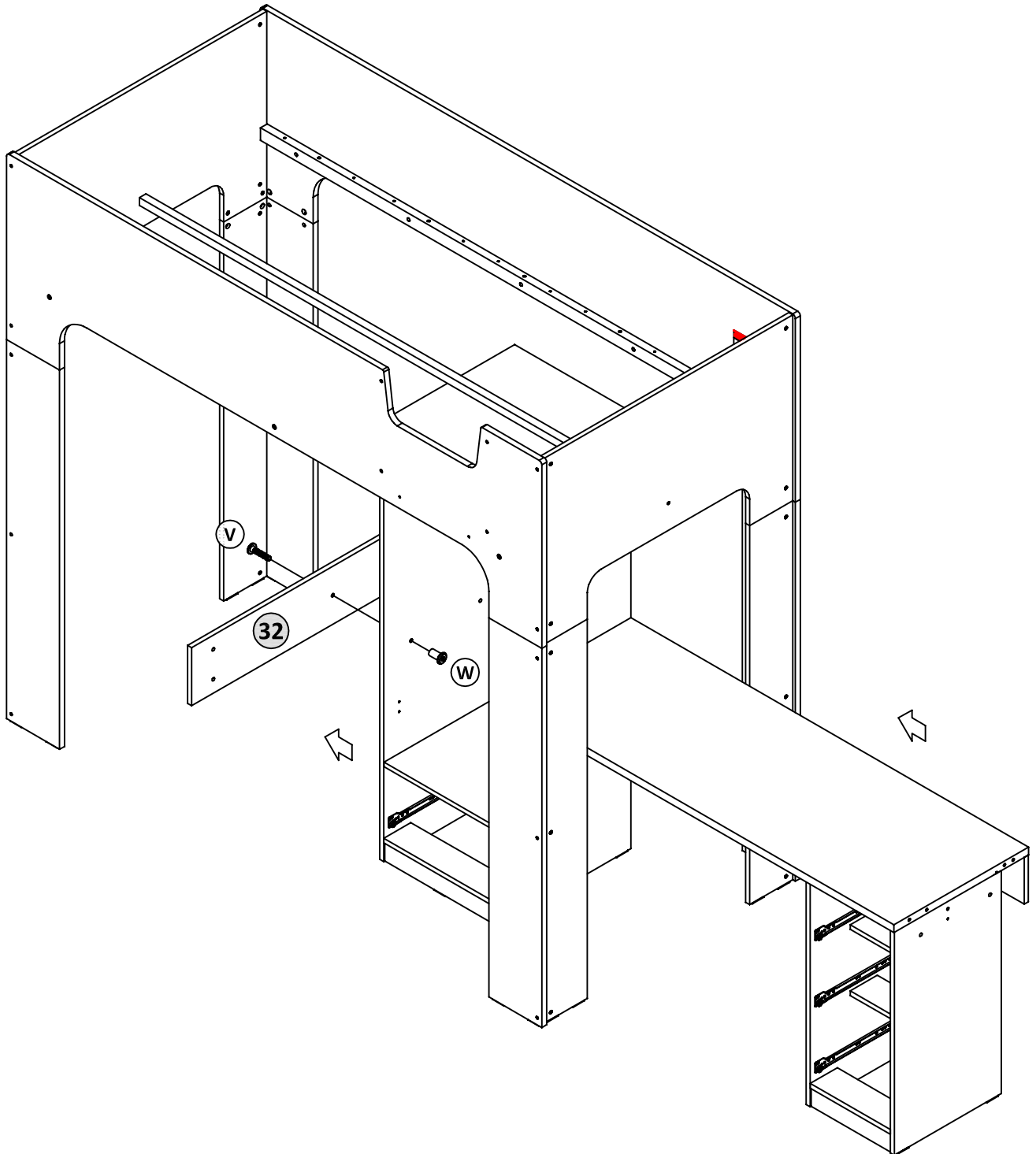
45



V x 1




W x 1

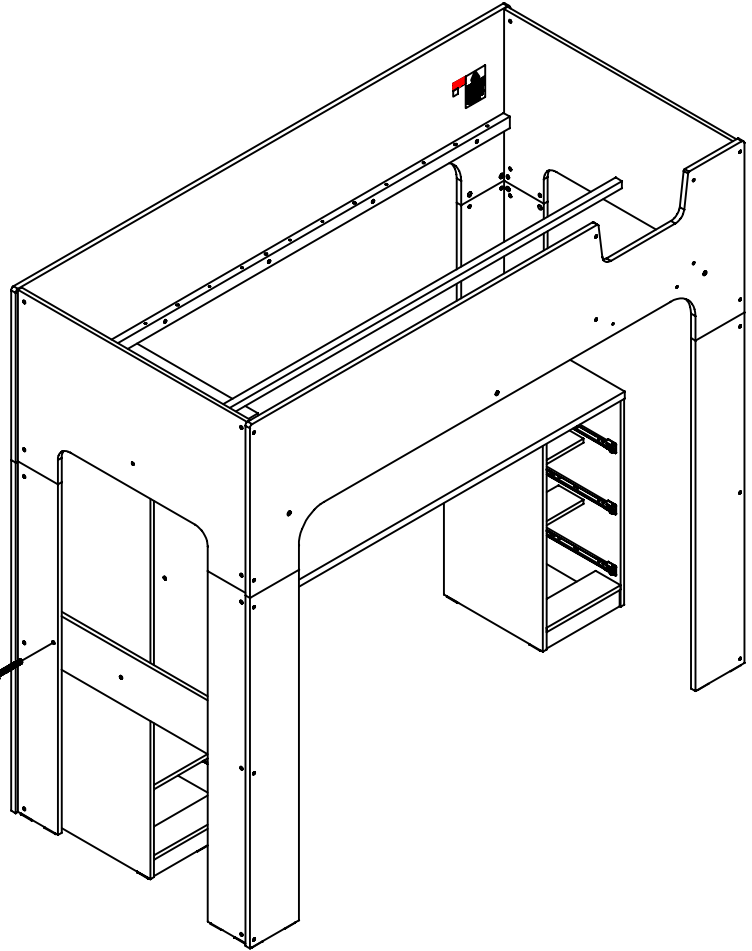
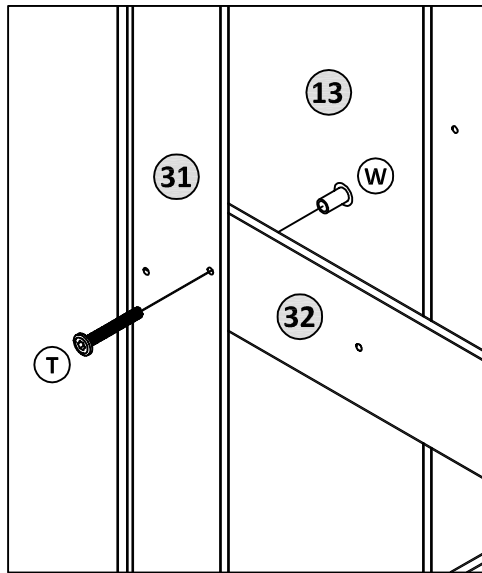


# Guide To Assembly

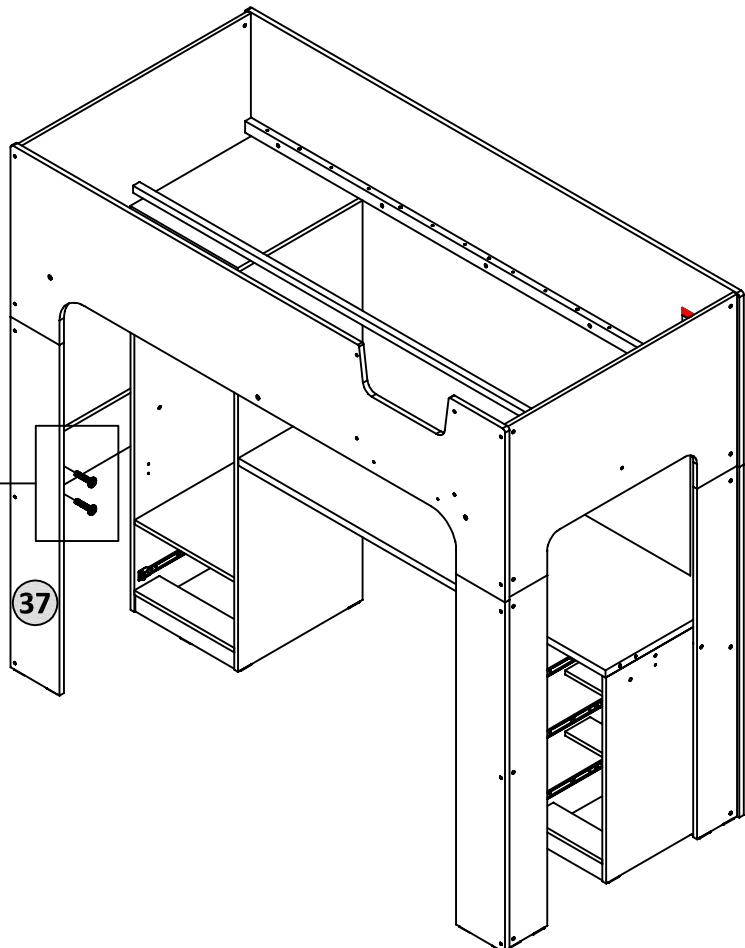
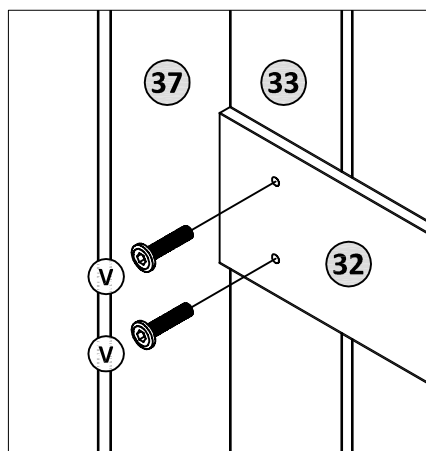
## Model : Eden High Sleeper

46  T x 1

 W x 1



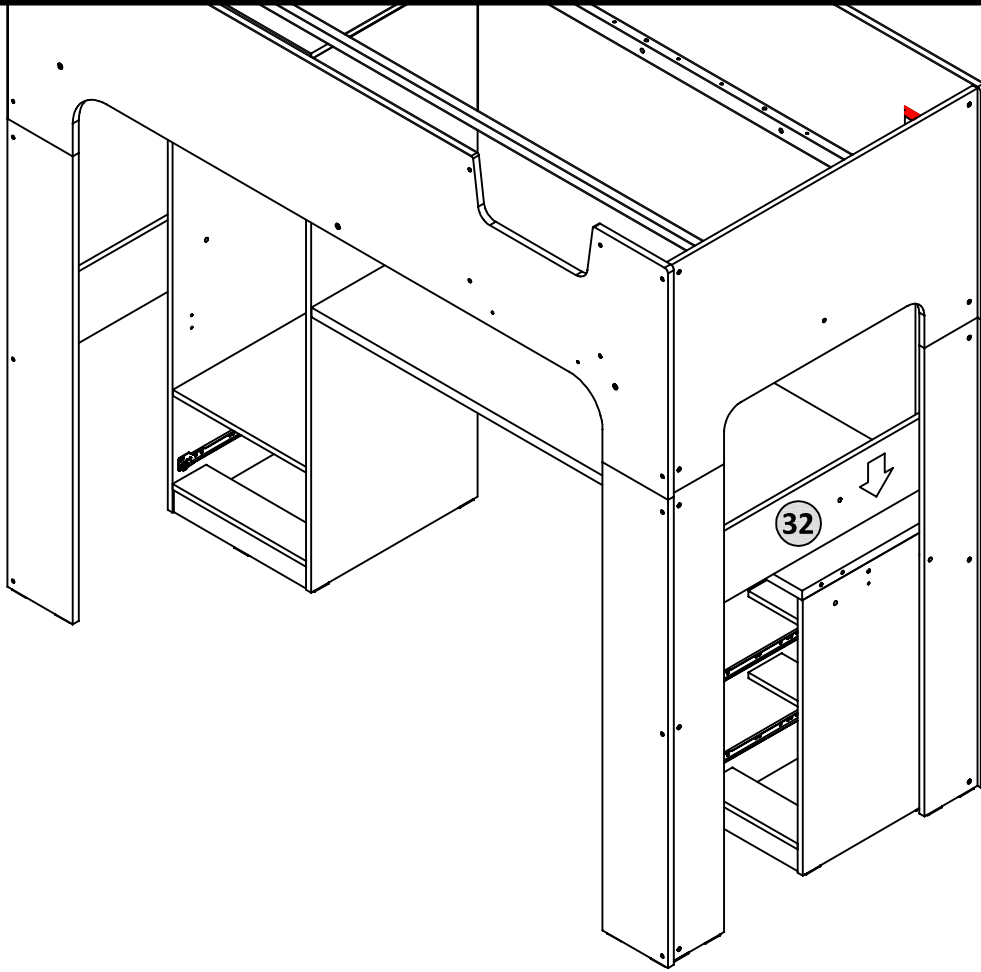
47  V x 2



# Guide To Assembly

## Model : Eden High Sleeper

48



49



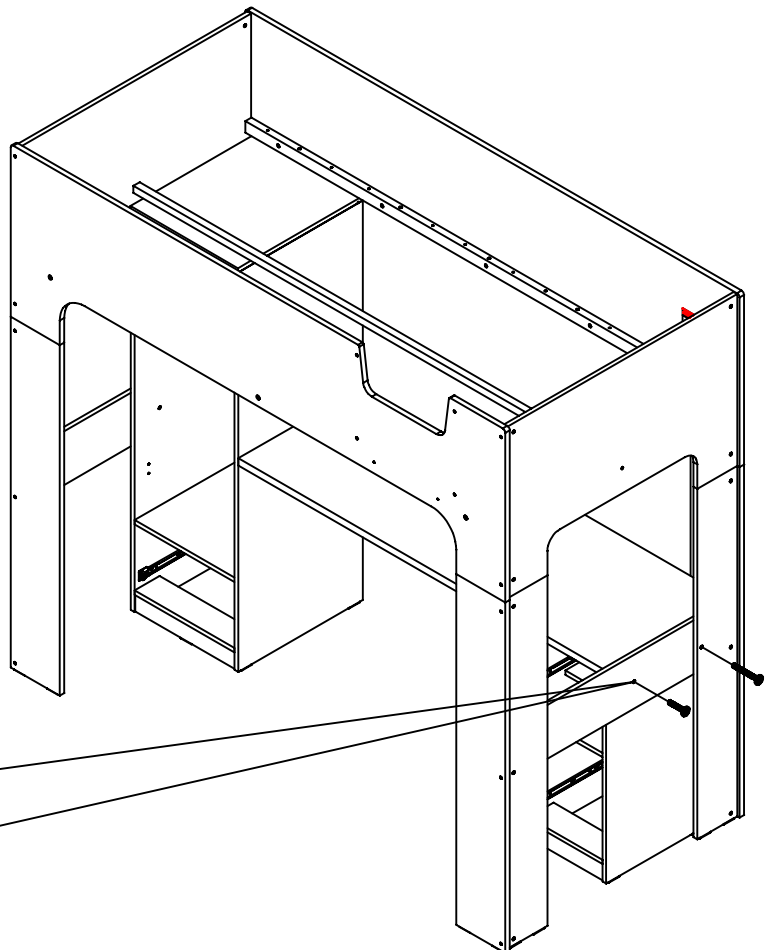
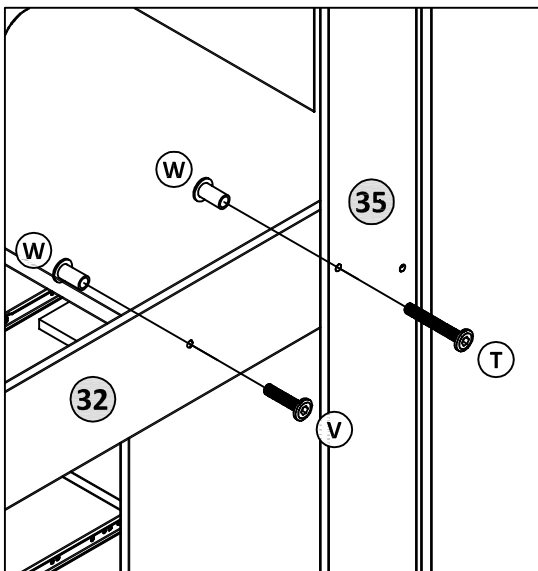
T x 1



V x 1



W x 2



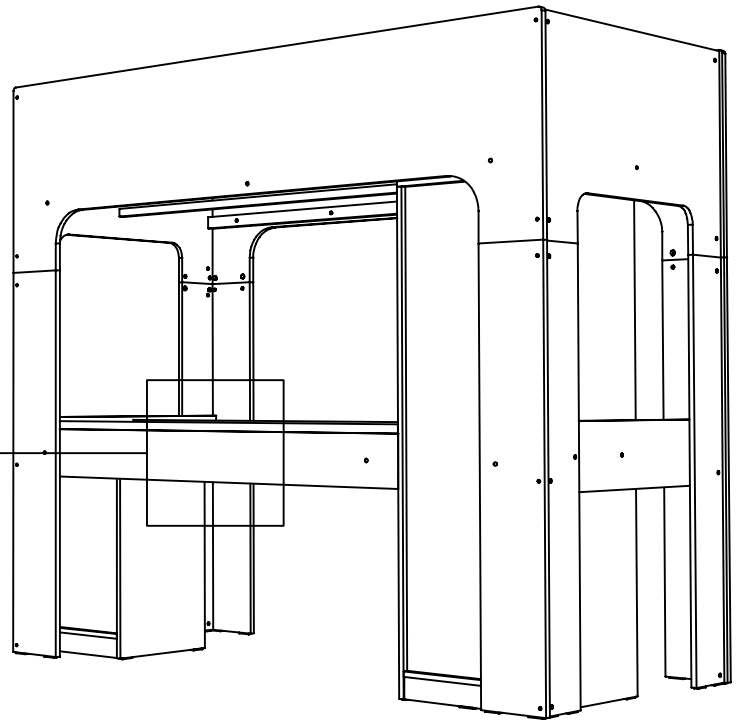
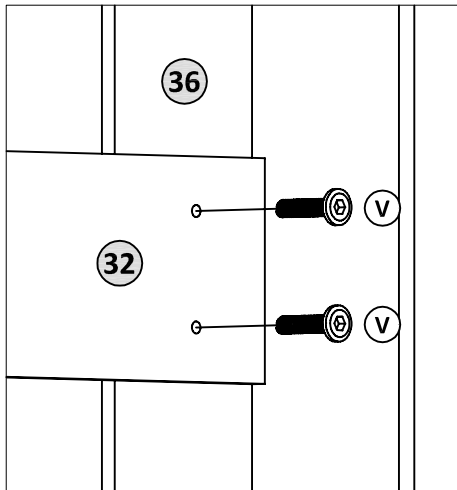
# Guide To Assembly

## Model : Eden High Sleeper

50



V x 2



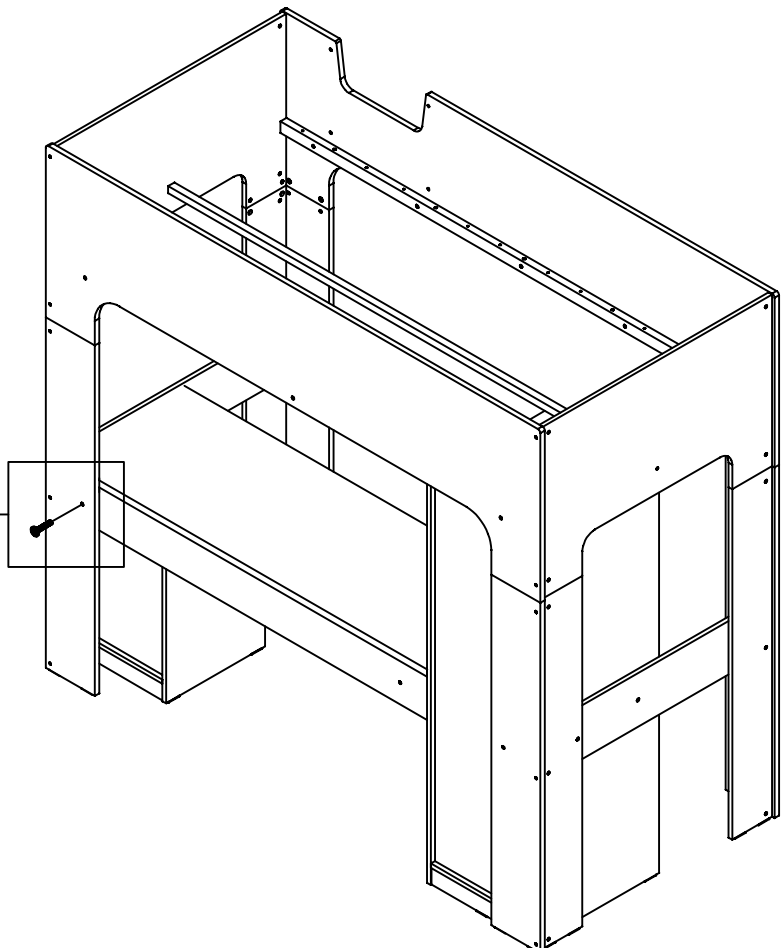
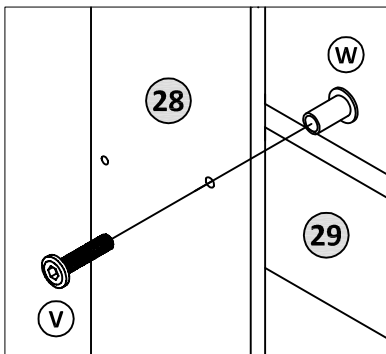
51



V x 1



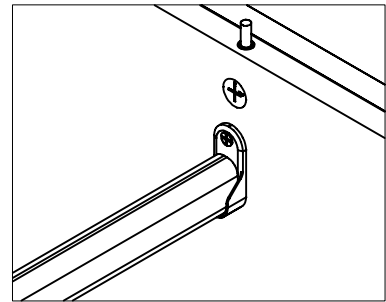
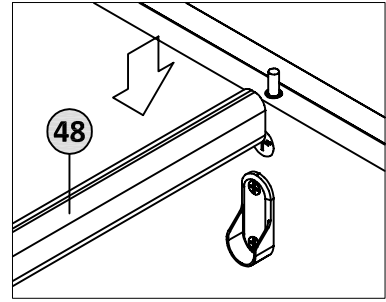
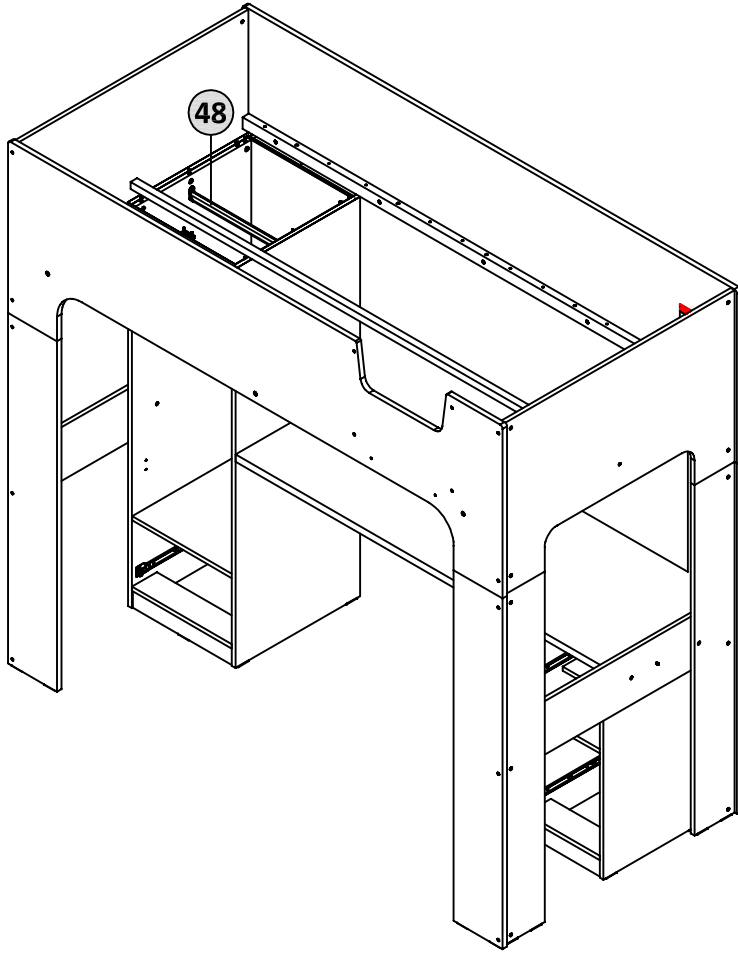
W x 1



# Guide To Assembly

## Model : Eden High Sleeper

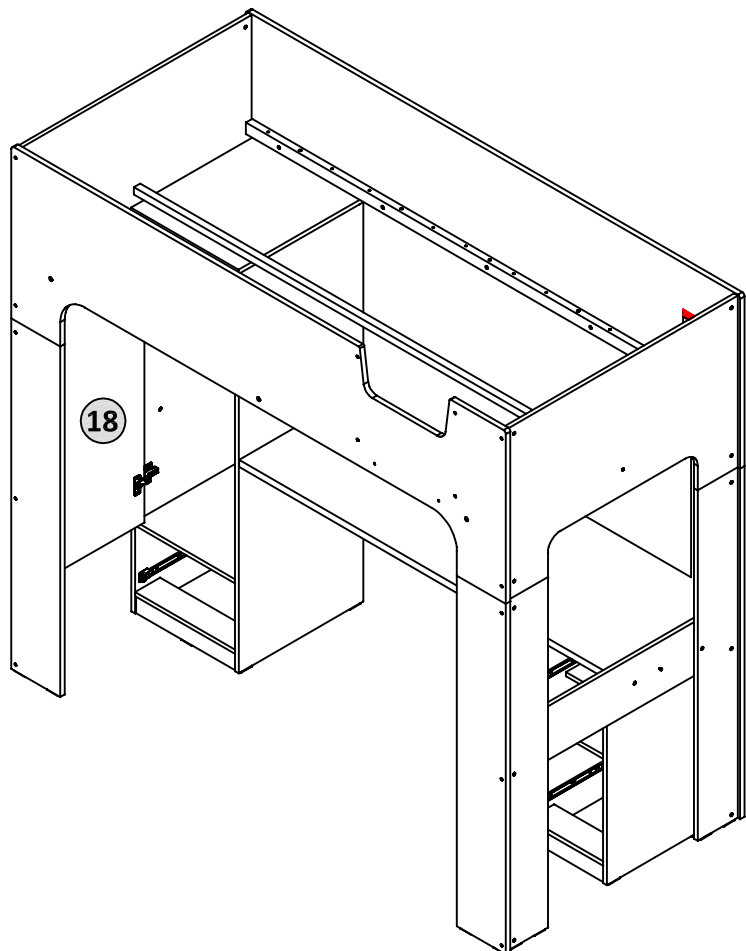
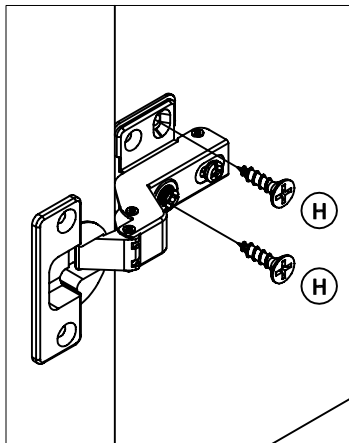
52



53



H x 4

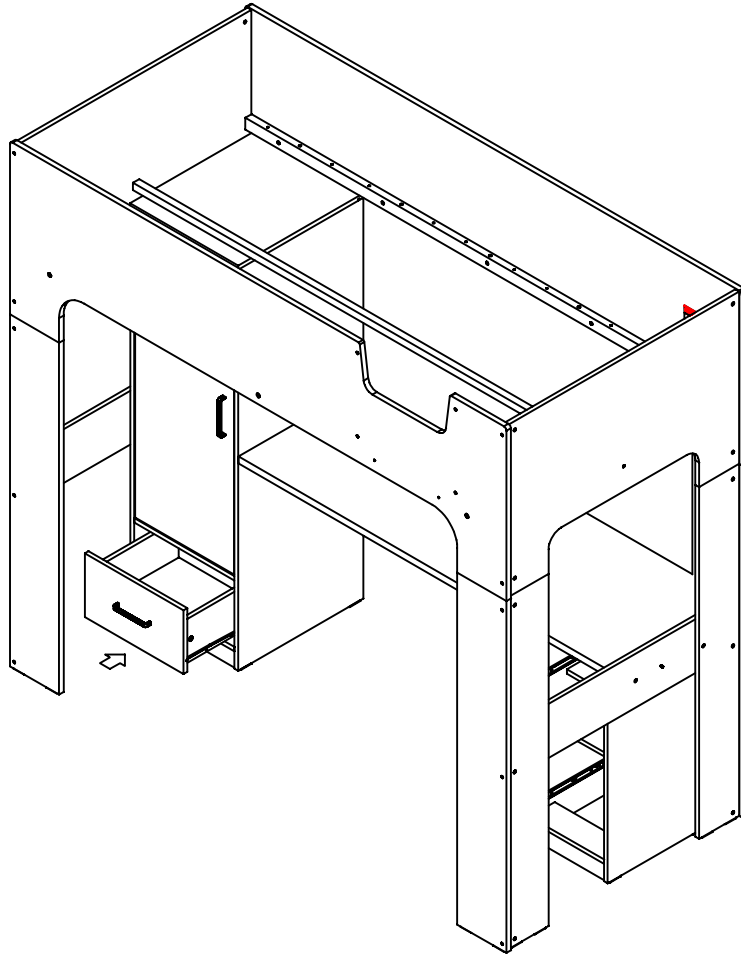




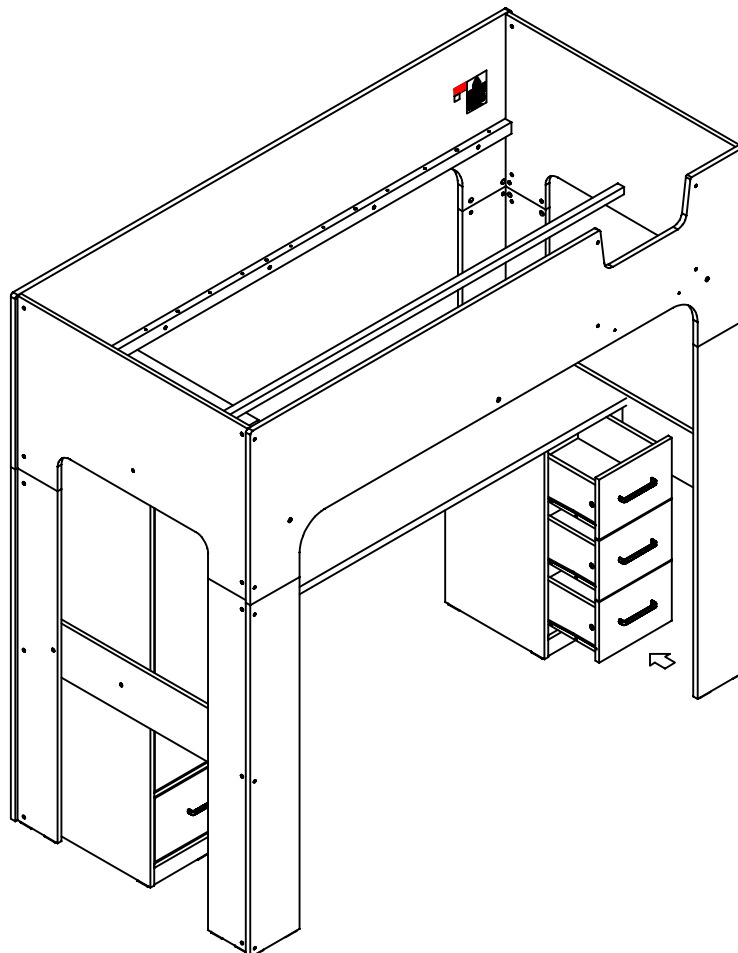
# Guide To Assembly

## Model : Eden High Sleeper

54



55




# Guide To Assembly

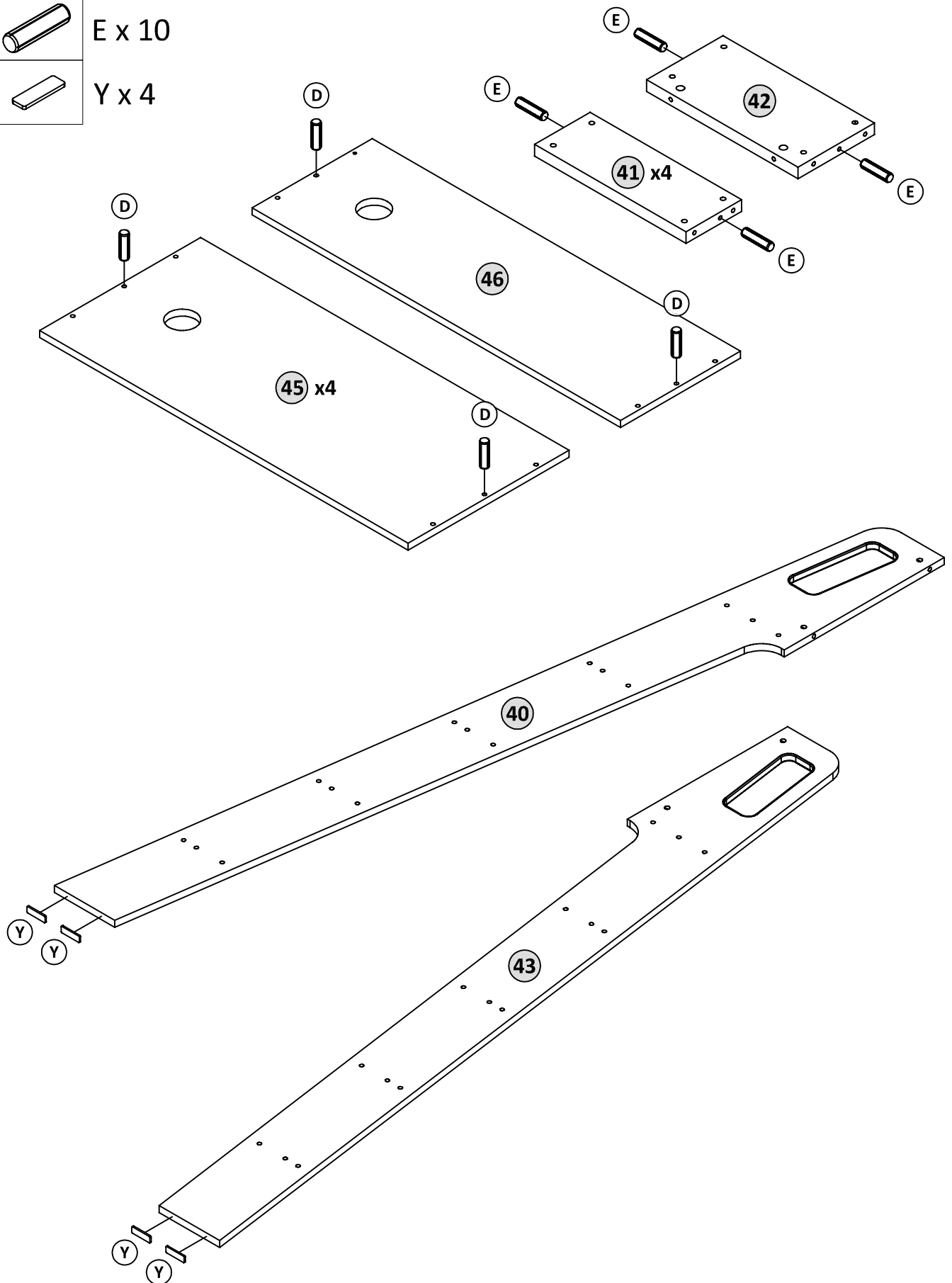
## Model : Eden High Sleeper

56

 D x 10

 E x 10

 Y x 4



# Guide To Assembly

## Model : Eden High Sleeper

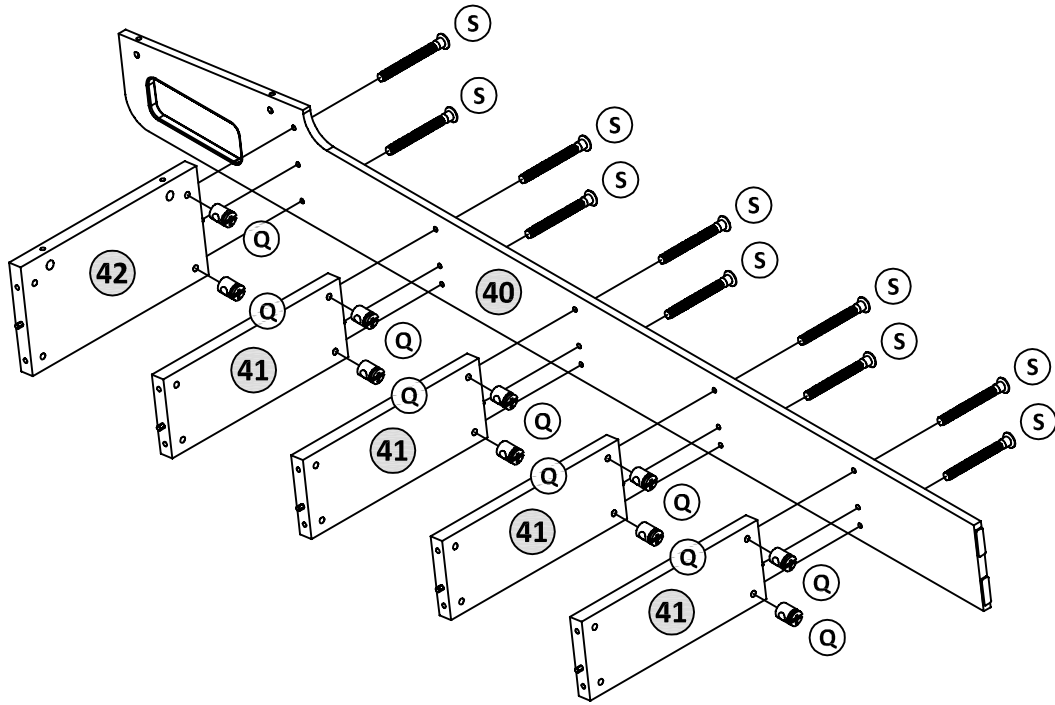
57



Q x 10



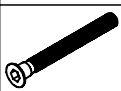
S x 10



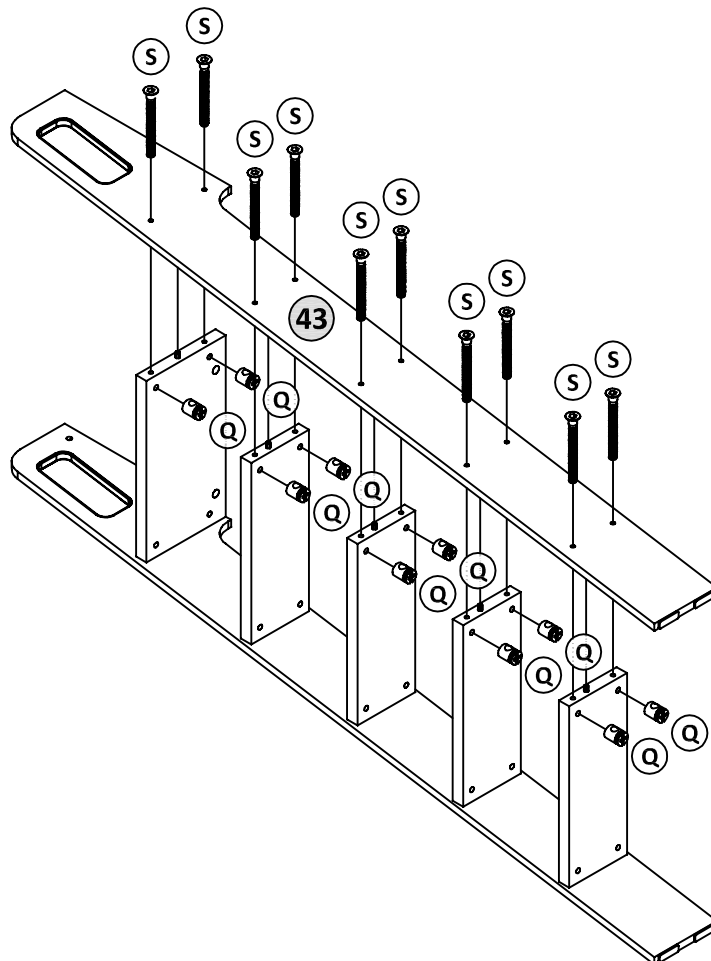
58



Q x 10



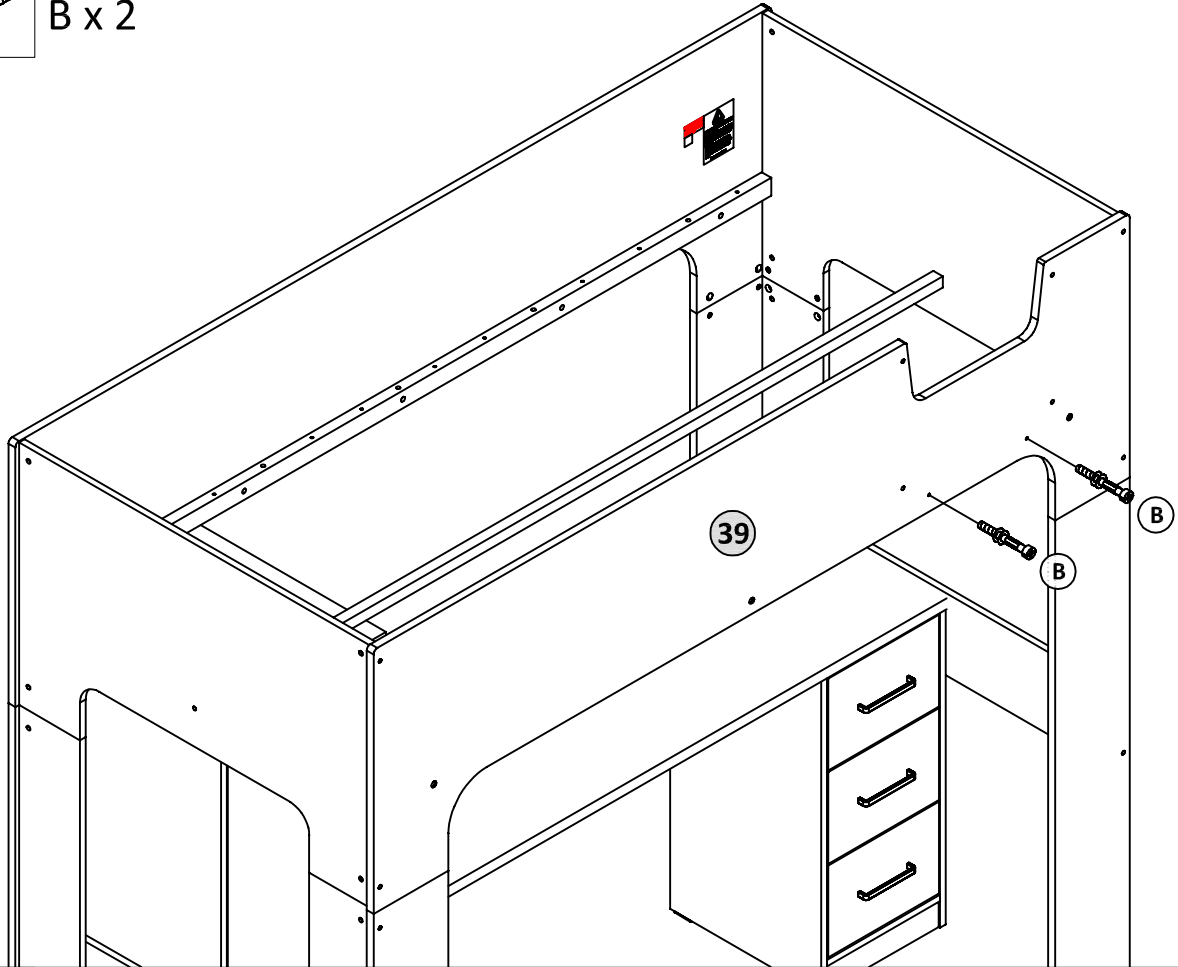
S x 10



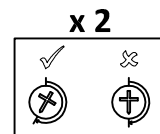
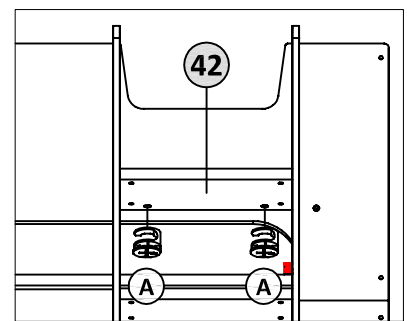
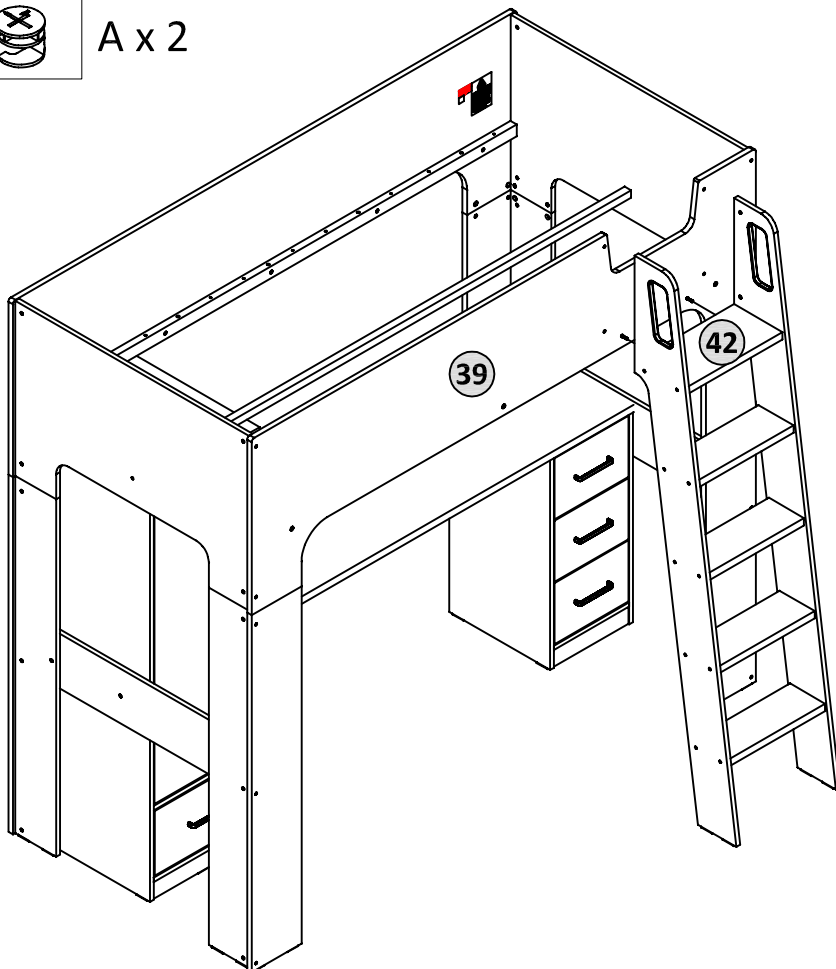
# Guide To Assembly

## Model : Eden High Sleeper

59  B x 2



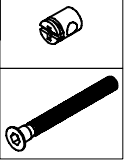
60  A x 2



# Guide To Assembly

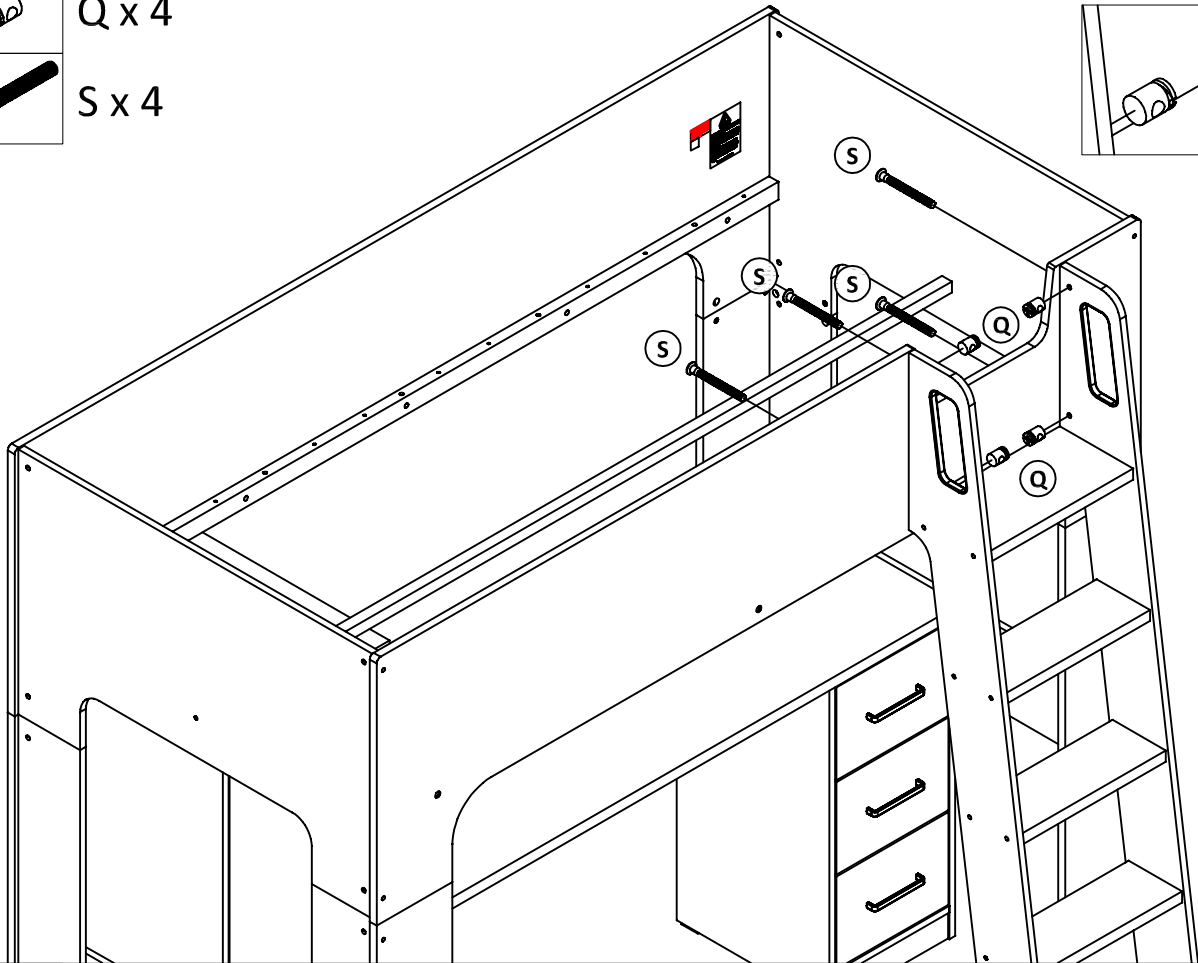
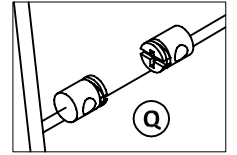
## Model : Eden High Sleeper

61



Q x 4

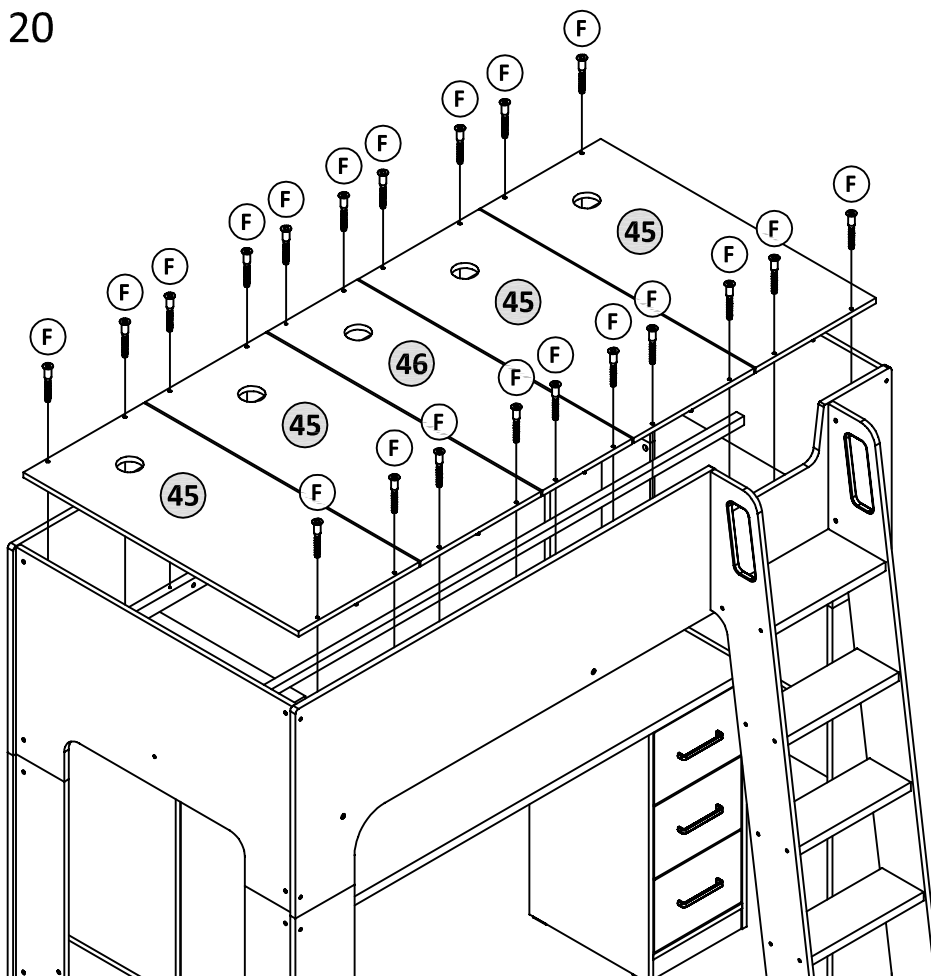
S x 4



62



F x 20



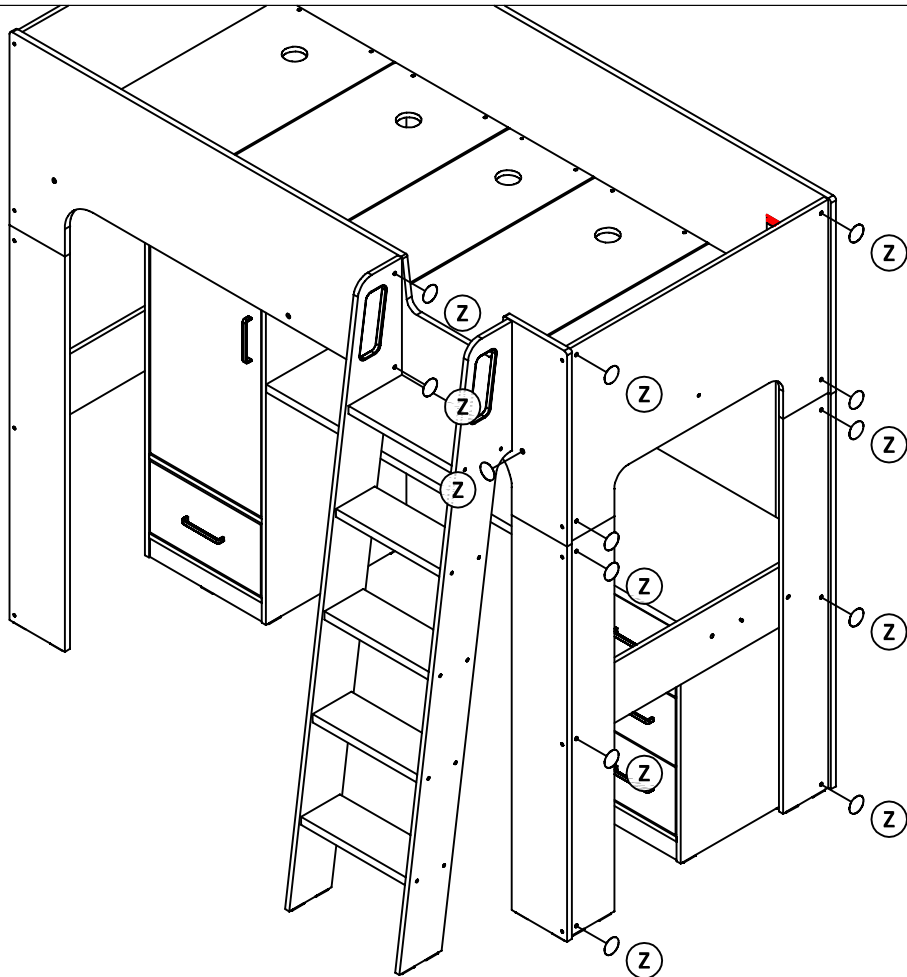
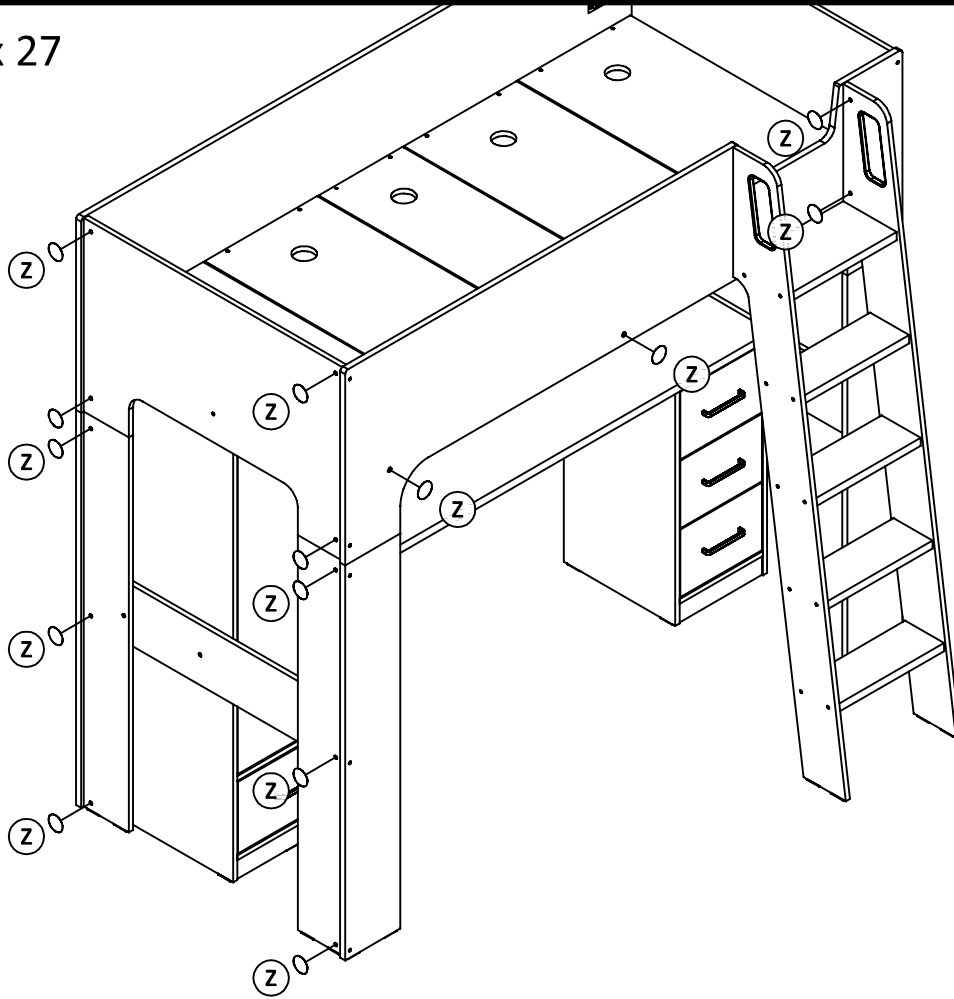
# Guide To Assembly

## Model : Eden High Sleeper

63



Z x 27



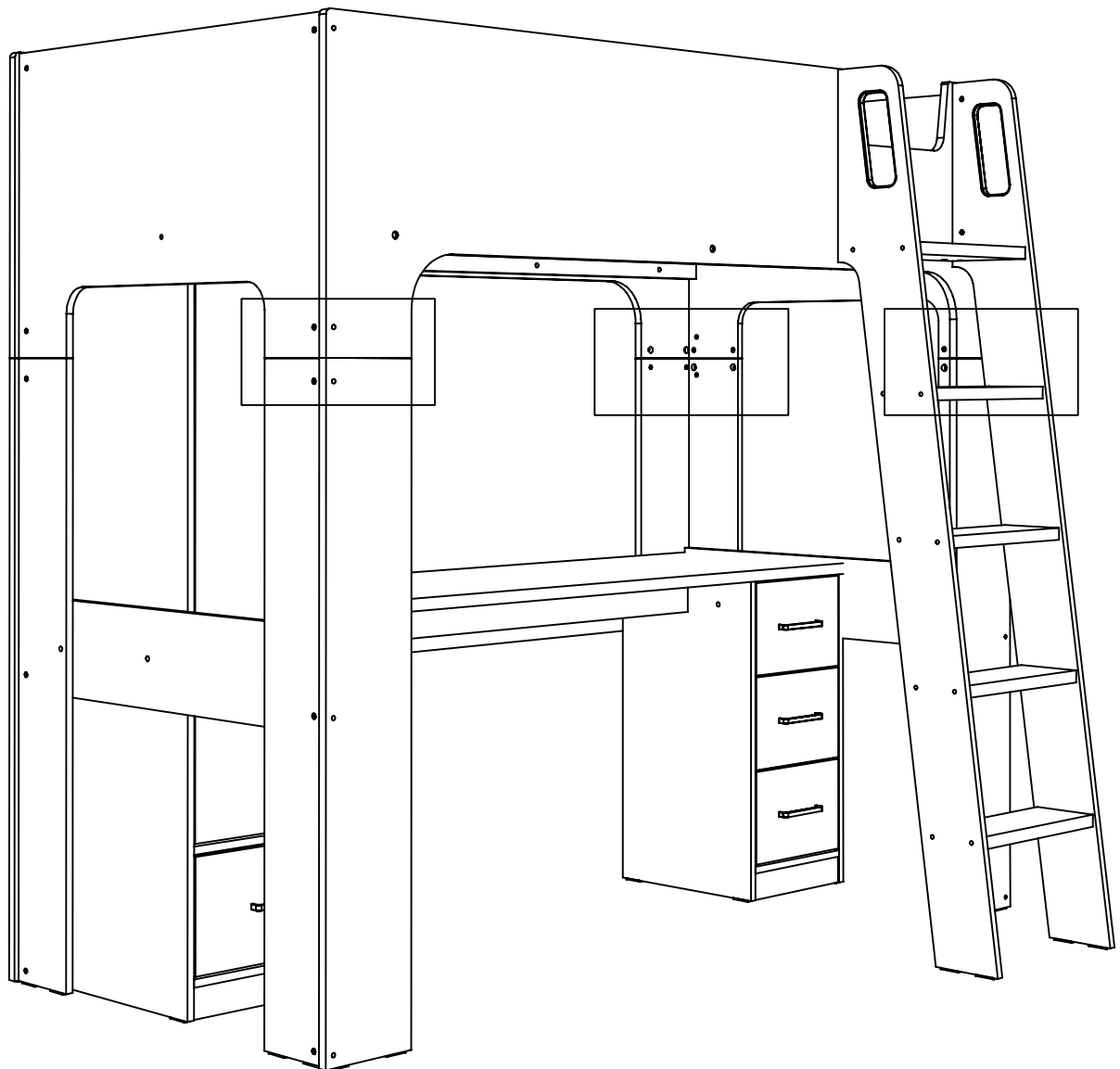
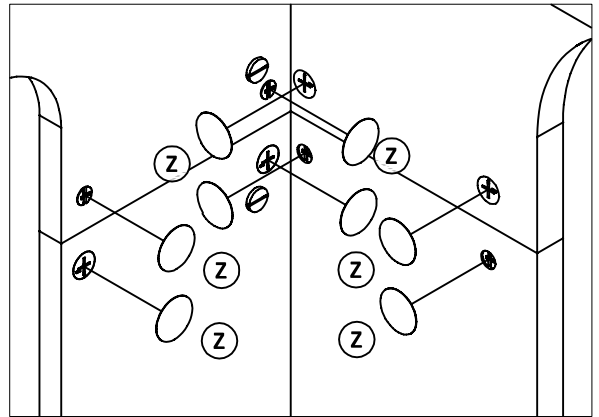
# Guide To Assembly

## Model : Eden High Sleeper

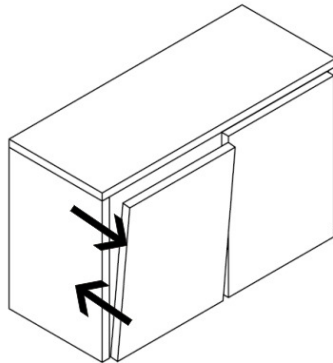
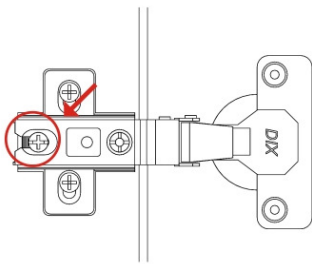
64



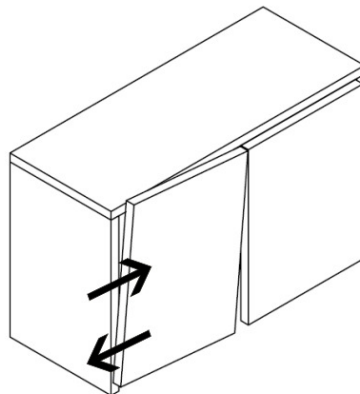
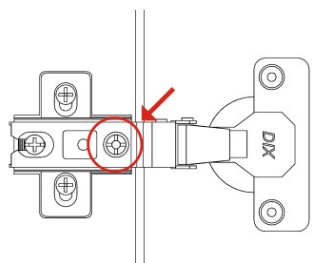
Z x 24



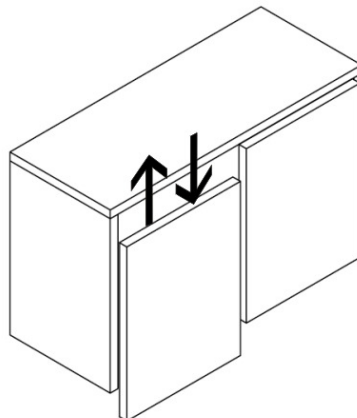
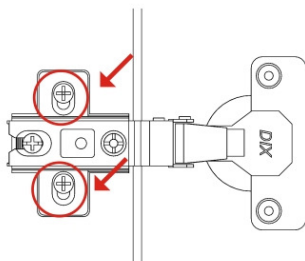
## Adjusting Possibilities



**Depth Adjustment**  
after loosening the hinge  
arm mounting screw



**Lateral Adjustment**  
by adjusting screw



**Vertical Adjustment**  
via mounting plate (via  
slots or, if in two pieces,  
via screw)