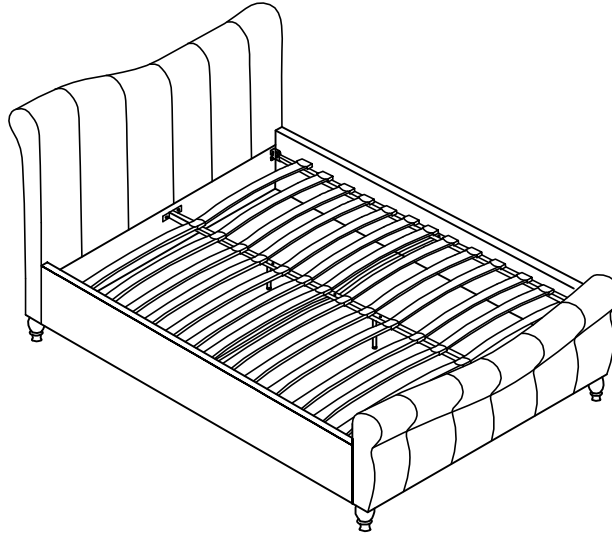


**PLEASE ENSURE THE  
MATTRESS IS IN PLACE  
BEFORE USING THIS  
MECHANISM**

# LEONA NORMAL BED KINGSIZE 5FT

## Assembly Instructions



### IMPORTANT

#### PLEASE READ BEFORE YOU CONTINUE FURTHER

THE PRODUCT YOU HAVE PURCHASED WILL GIVE YOU MANY YEARS OF SERVICE IF YOU FOLLOW THE GUIDELINES FOR ITS SAFE ASSEMBLY AND PERIODIC MAINTENANCE AND CLEANING.

ASSEMBLE ON A SOFT CLEAN SURFACE.

DO NOT USE ANY TOOLS OTHER THAN THOSE SHOWN.

ANY SPANNERS OR ALLEN KEYS REQUIRED ARE INCLUDED WITH THE FITTINGS KIT.

DO NOT FOR ANY REASON USE A POWER TOOL TO ASSEMBLE THIS PRODUCT. ITS USE WILL INVALIDATE ANY CLAIM YOU MAY HAVE AND COULD MAKE THIS PRODUCT UNSAFE.

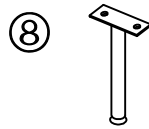
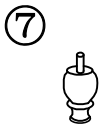
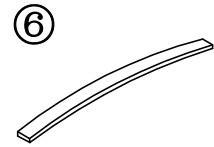
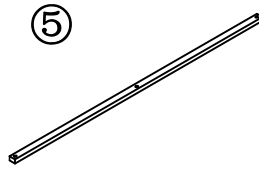
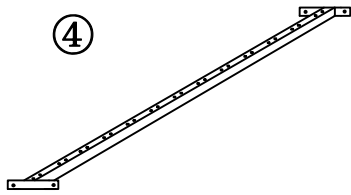
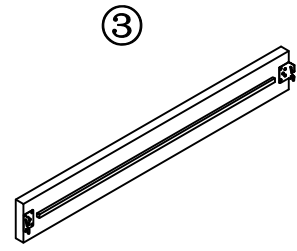
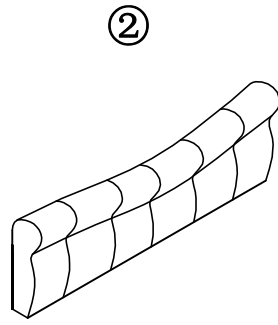
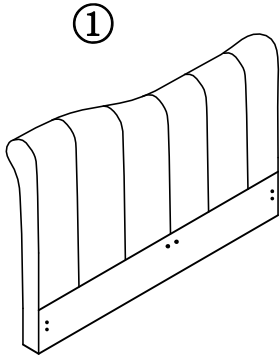
DEPENDING ON THE AMOUNT OF USE THIS PRODUCT RECEIVES IT MAY BE NECESSARY TO TIGHTEN UP THE FIXINGS FROM TIME TO TIME. THIS IS COMPLETELY NORMAL FOR ANY FLAT PACK FURNITURE. DO NOT OVERTIGHTEN FIXINGS.

FOR CLEANING YOU MAY USE A DAMP CLOTH ( NOT WET ) . DO NOT USE POLISH, DETERGENT OR CHEMICAL CLEANERS.

THIS PRODUCT MAY STAIN OR MARK IF ALLOWED TO COME INTO CONTACT WITH WET OR DAMP OBJECTS AS MATERIALS USED HAVE NOT BEEN SCOTCH GUARDED .

THE SURFACE OF THIS ITEM IS NOT HEAT RESISTANT . ALWAYS USE A PLACE MAT UNDER HOT OR COLD ITEMS TO PREVENT MARKING.

# PARTS LIST

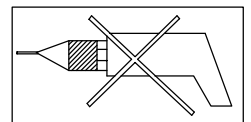


PLEASE CHECK THAT YOU HAVE ALL THE PARTS LISTED BEFORE YOU START ASSEMBLING. IF YOU DO FIND THAT SOMETHING IS MISSING, DO NOT CONTINUE ASSEMBLY. PLEASE CONTACT YOUR SUPPLIER IMMEDIATELY.

Box 1		
Part	Description	Qty
①	HEADBOARD	1
<b>Box 2</b>		
②	FOOTBOARD	1
⑥	SLATS	28
⑦	FEET	4

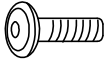
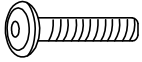






Box 3		
Part	Description	Qty
③	SIDE RAIL (LEFT & RIGHT PANEL)	2
④	CENTRE RAIL	1
⑤	CROSS RAIL	1
⑧	SUPPORT LEG	2
	HARDWARE	1

USE OF POWER TOOLS TO ASSEMBLE THIS PRODUCT WILL INVALIDATE ANY CLAIM AND DAMAGE THIS PRODUCT MAKING IT UNSAFE.

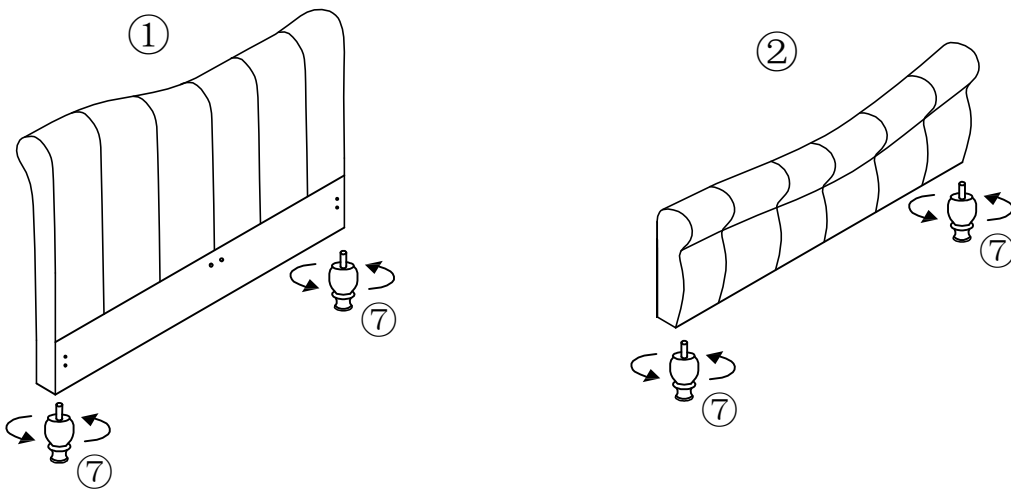


PLEASE CHECK THAT YOU HAVE ALL THE PARTS LISTED BEFORE YOU START ASSEMBLING. IF YOU DO FIND THAT SOMETHING IS MISSING, DO NOT CONTINUE ASSEMBLY. PLEASE CONTACT YOUR SUPPLIER IMMEDIATELY.

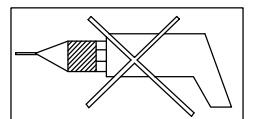
### HARDWARE LIST (LOCATED WITHIN BOX 3)

Part	Diagram	Description	Qty
A		5/16 x 25MM BOLT	12
B		5/16 x 50MM BOLT	7
C		WASHER	14
D		ZINC NUT	7
E		M8 ALLEL KEY	1
F		SPANNER	1
<b>Box 2</b>			
G		PLASTIC END CAP	28
H		PLASTIC CENTRE CAP	14

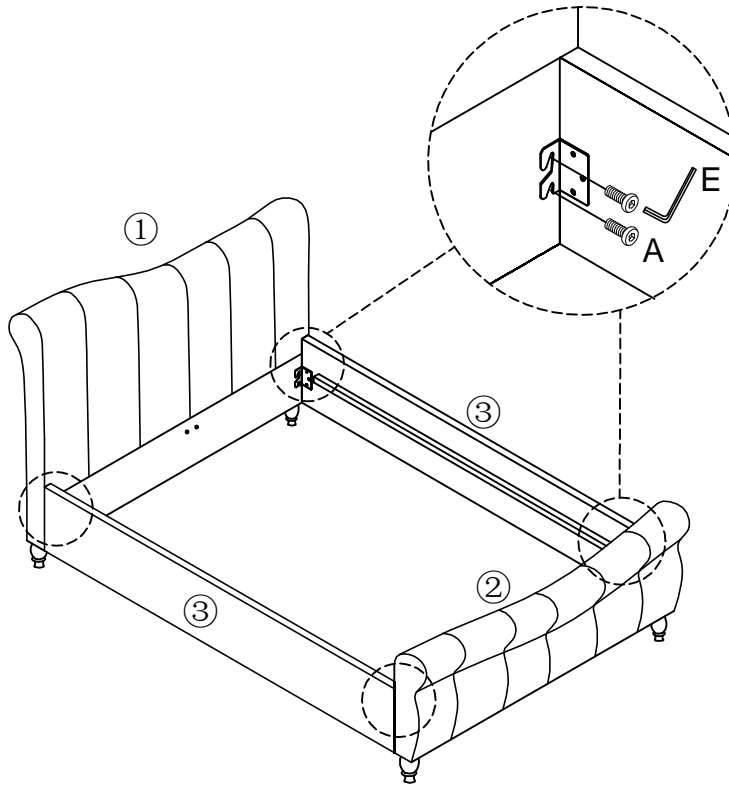
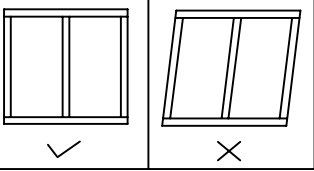
### STEP 1



THE USE OF POWER TOOLS TO ASSEMBLE THIS PRODUCT WILL INVALIDATE ANY CLAIM AND MAY DAMAGE THIS PRODUCT MAKING IT UNSAFE



**STEP 2**  A x 8pcs

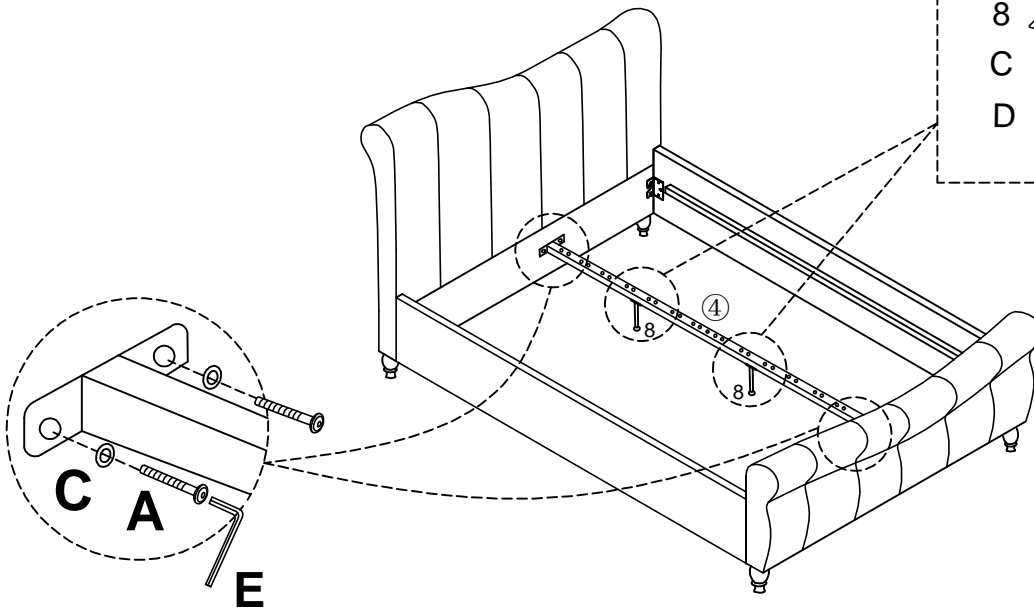
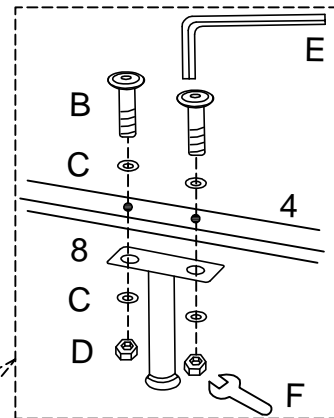


**STEP 3**  A x 4pcs

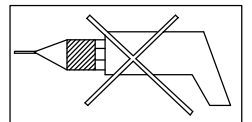
 B x 4pcs

 C x 8pcs

 D x 4pcs



THE USE OF POWER TOOLS TO ASSEMBLE THIS PRODUCT WILL INVALIDATE ANY CLAIM AND MAY DAMAGE THIS PRODUCT MAKING IT UNSAFE



**STEP 4**



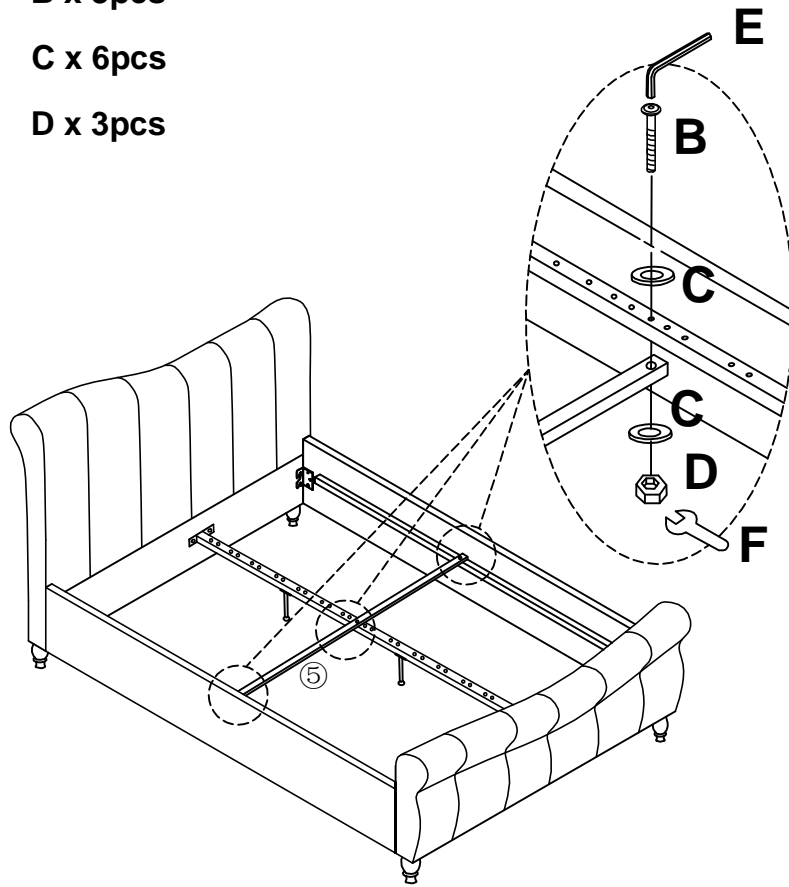
**B x 3pcs**



**C x 6pcs**



**D x 3pcs**



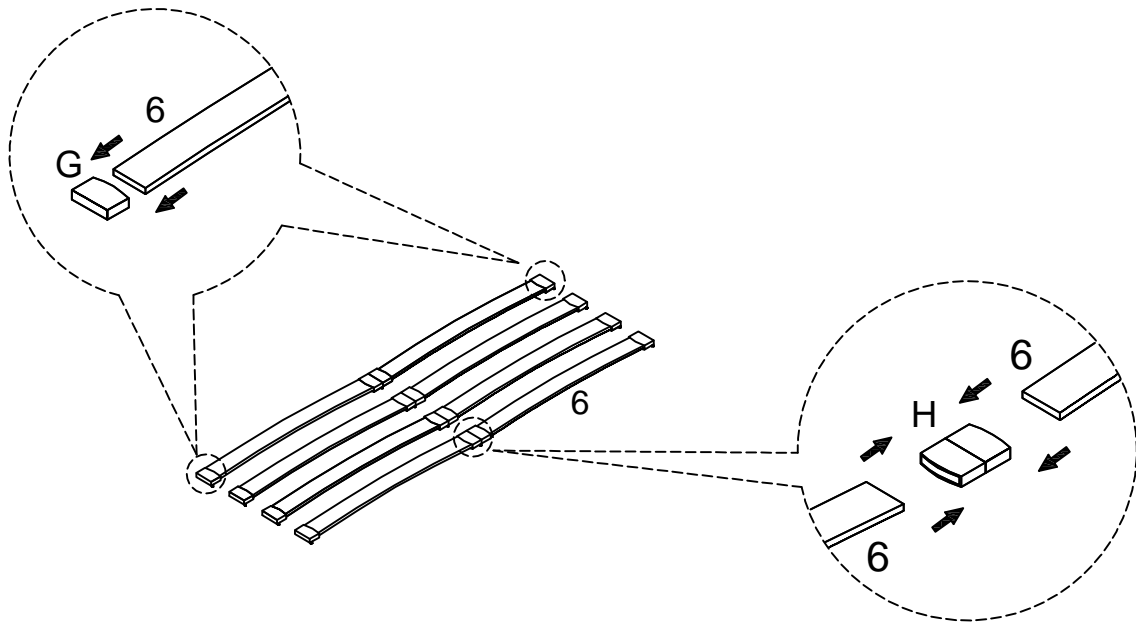
**STEP 5**



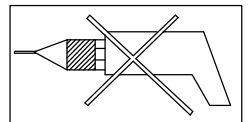
**G x 28pcs**



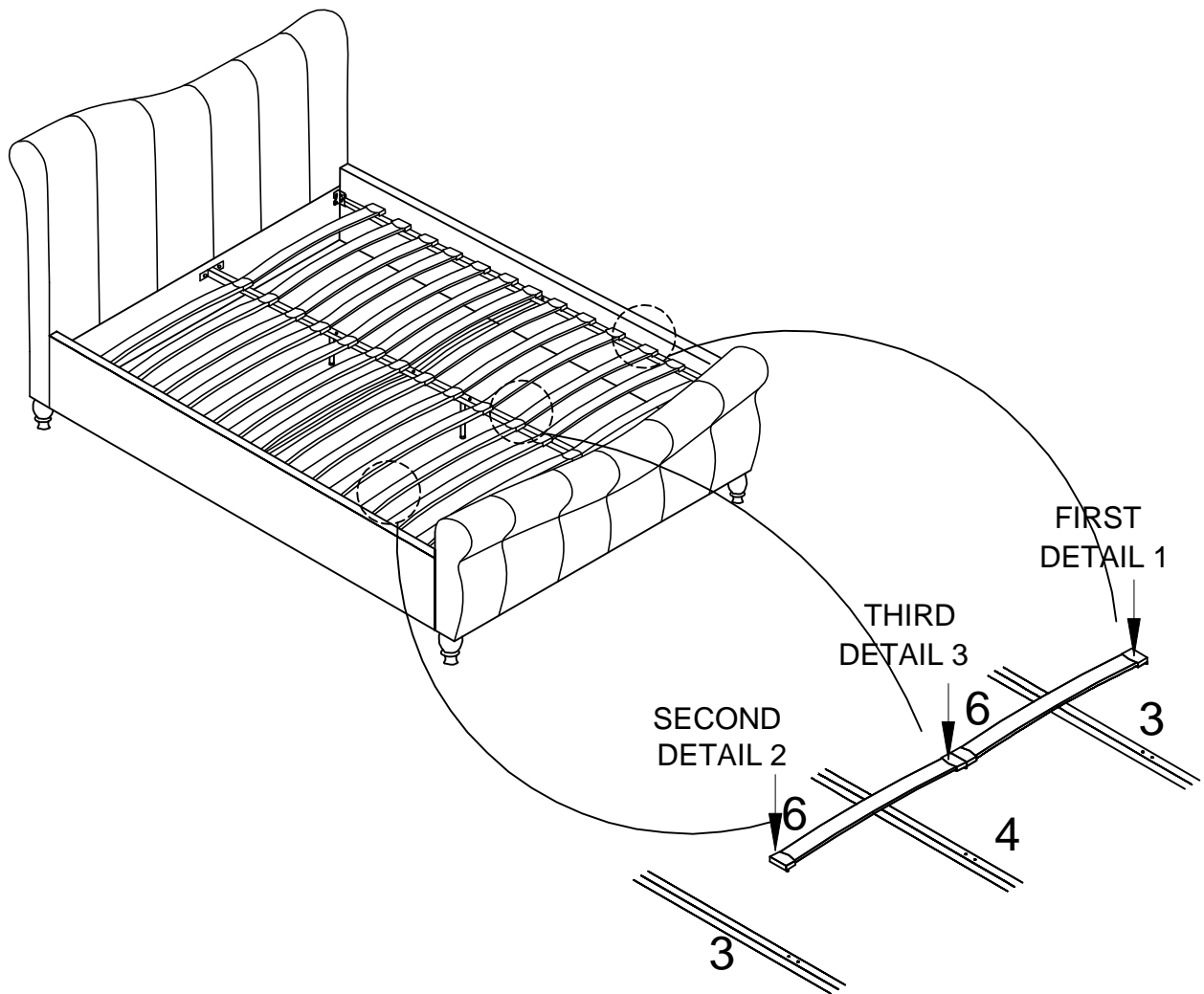
**H x 14pcs**



THE USE OF POWER TOOLS TO ASSEMBLE THIS PRODUCT WILL INVALIDATE ANY CLAIM AND MAY DAMAGE THIS PRODUCT MAKING IT UNSAFE

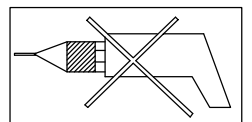


# STEP 6



**COMPLETED !**

THE USE OF POWER TOOLS TO ASSEMBLE THIS PRODUCT WILL INVALIDATE ANY CLAIM AND MAY DAMAGE THIS PRODUCT MAKING IT UNSAFE



**PLEASE ENSURE THE  
MATTRESS IS IN PLACE  
BEFORE USING THIS  
MECHANISM**