










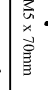



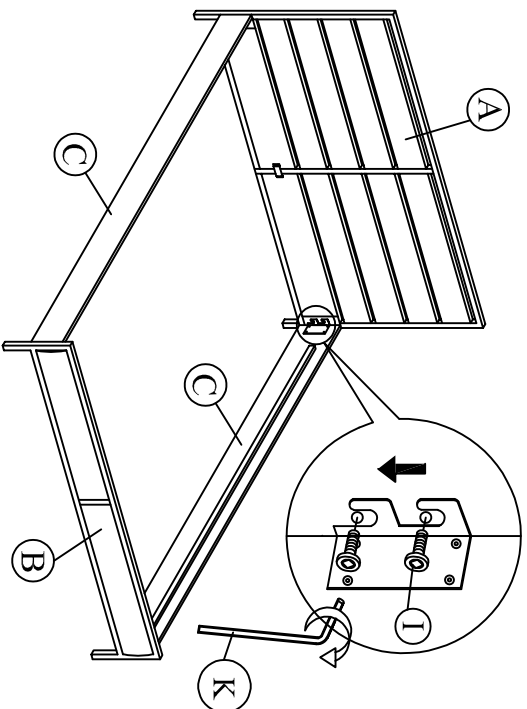


ASSEMBLY INSTRUCTION

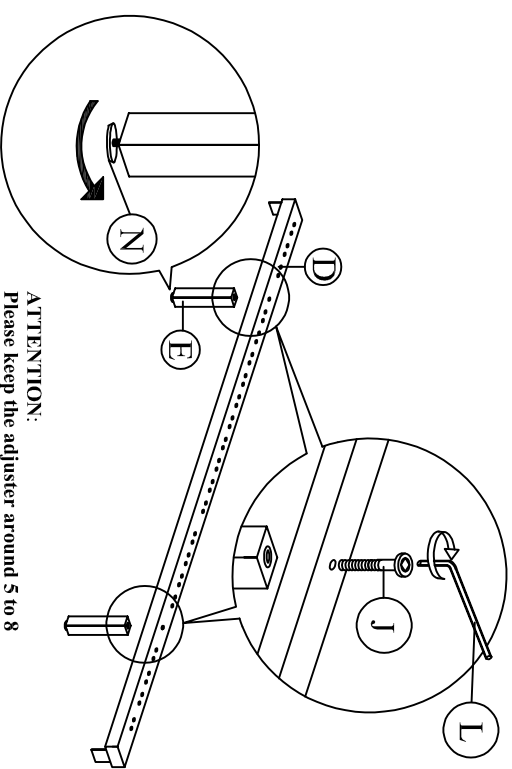
MODEL : CF 9362 (4/6")

A		Headboard	1 pc
B		Footboard	1 pc
C		Side Rail	2 pcs
D		Center Rail 1930mm	1 pc
E		Support Leg 250mm	2 pcs
F		Slat 690mm	26 pcs
G		Middle Holder	13 pcs
H		End Holder	26 pcs
I		JCBB M8 X 20	8 pcs
J		JCBC M6 X 40	2 pcs
K		M5 x 70mm	1 pc
L		M4 x 65mm	1 pc
M		CSK M4 x 32mm	6 pcs
N		Small Adjuster	2 pcs
O		Stiffener Slat (3 Holes) 1397mm	2 pcs

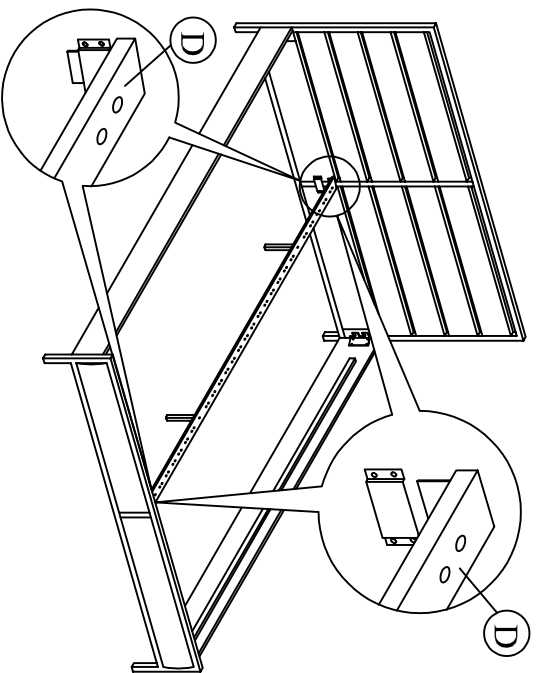
Step 1 : Attach side rail (C) to footboard (B) and headboard (A) by pushing the bracket down to fit it.



Step 2 : Attach the support legs (E) to the center rail (D) of the bed as shown.



Step 3 : Slide the center rail (D) to the headboard (A) and footboard (B).



Step 4 : Affix the Stiffener Slat (O) to the side rail support wood and the center rail (E). Tighten all the 4 corner, follow by assembly of the slat holders with LVL slats as shown.

