











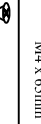

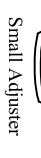
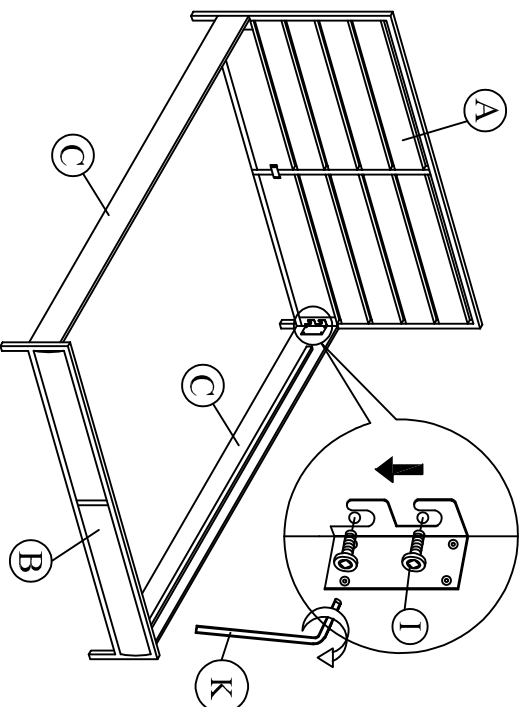


ASSEMBLY INSTRUCTION

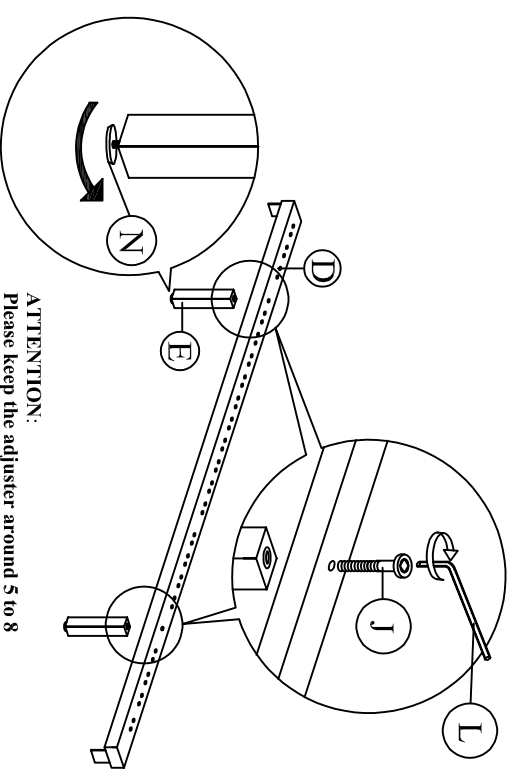
MODEL : CF 9362 (S)

A		1 pc
B		1 pc
C		2 pcs
D		1 pc
E		2 pcs
F		28 pcs
G		14 pcs
H		28 pcs
I		8 pcs
J		2 pcs
K		1 pc
L		1 pc
M		6 pcs
N		2 pcs
O		2 pcs

Step 1 : Attach side rail (C) to footboard (B) and headboard (A) by pushing the bracket down to fit it.

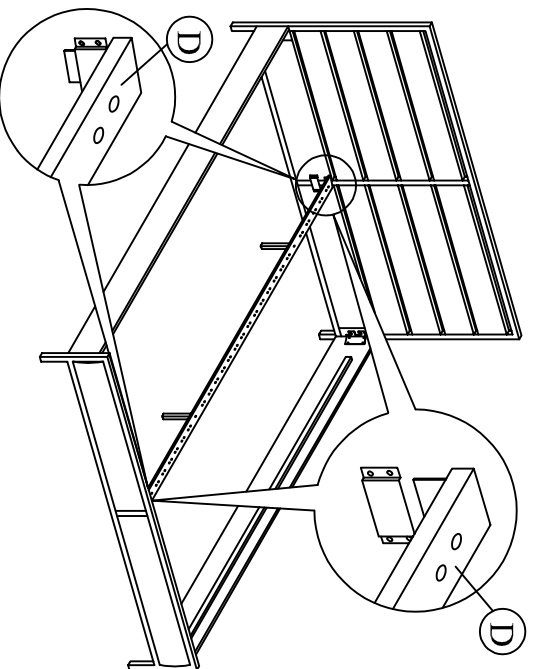


Step 2 : Attach the support legs (E) to the center rail (D) of the bed as shown.



ATTENTION:
Please keep the adjuster around 5 to 8 mm distant away from the floor.

Step 3 : Slide the center rail (D) to the headboard (A) and footboard (B).



Step 4 : Affix the Stiffener Slat (O) to the side rail support wood and the center rail (E). Tighten all the 4 corner, follow by assembly of the slat holders with LVL slats as shown.

