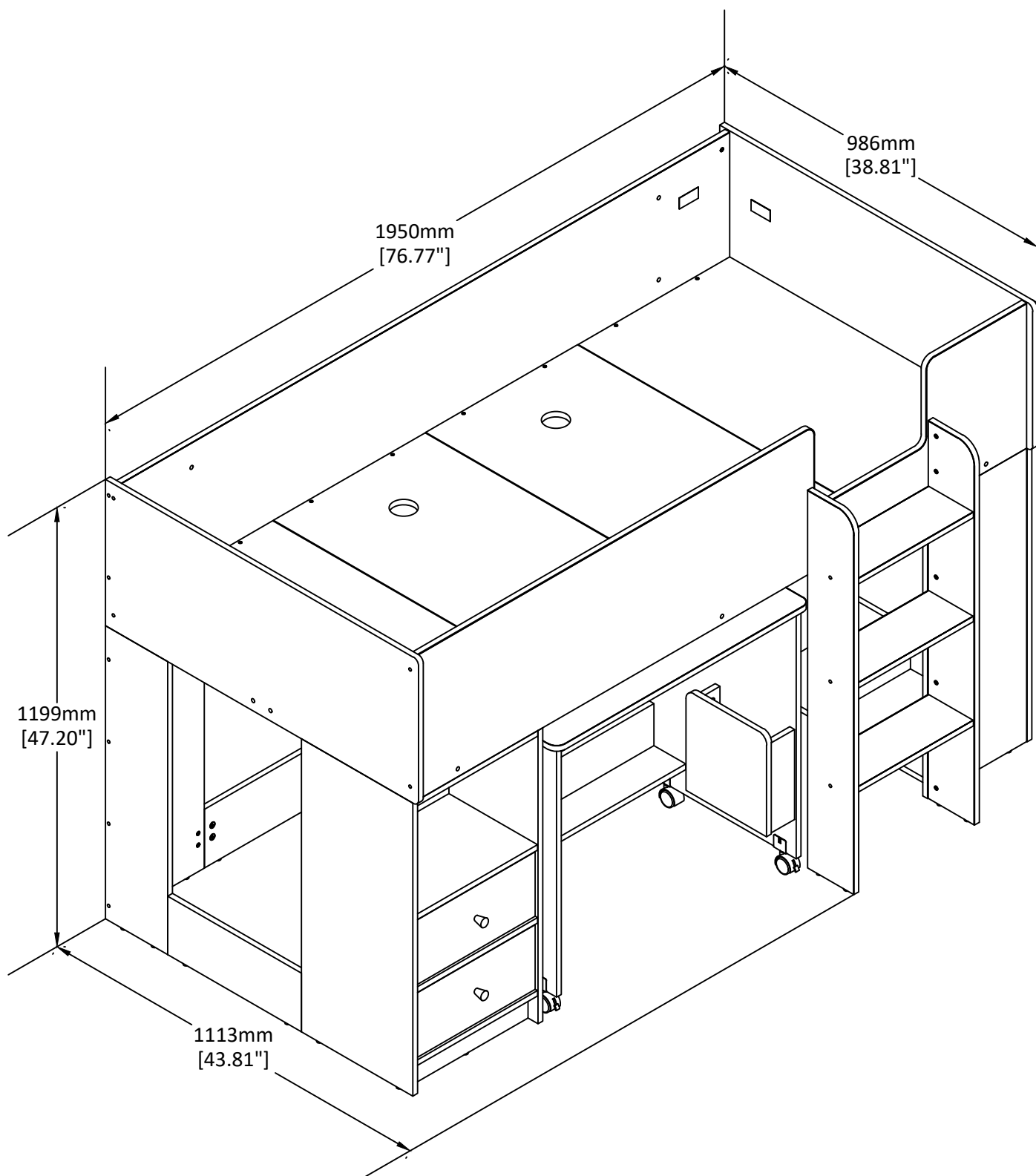


Model : Marley

Product Size : 920 x 1920mm (Base Int Size)

Thank you for purchasing this product. Before starting assembly we suggest you spend a short time reading through this leaflet, then follow the simply step by step guide. Two people are needed to assemble this product.



Model : Marley

Product Size : 920 x 1920mm (Base Int Size)

IMPORTANT- READ CAREFULLY- RETAIN FOR FUTURE REFERENCE

TOP TIPS BEFORE YOU START!

1. Please check that all parts & hardware are present before you start the assembly of your furniture.
2. For ease and speed of assembly, we recommend that before you commence each step of the assembly, Please identify all the parts required for that step.
3. We recommend that where possible, all items are assembled near to the area in which they will be placed in use, to avoid moving the product unnecessarily once assembled.
4. For the protection of your furniture, particularly items of high gloss finish, we recommend that the product is placed on a Protected surface during assembly to prevent any damage.
5. During assembly please take care not to over-tighten any fittings, as this may damage the product.

CARE AND MAINTENANCE OF YOUR FURNITURE

1. Please periodically check all fittings and re-tighten as necessary.
2. To clean your item, please use a damp cloth and wipe clean.
3. Never allow any kind of liquid to remain on your furniture. Absorption can cause wood to warp or finishes to de-laminate.
4. Please do not place hot items (e.g hot drinks) directly on the wood surface.
5. Please do not drag or pull your furniture.

IMPORTANT INFORMATION

1. The recommended size of mattress: (W) 90cm x (L) 190cm x (H) 15cm.
2. Maximum thickness of mattress: 15cm.
3. Children should be discouraged from playing on top of this bunk bed.
4. The bunk bed should be checked periodically by the owner to ensure that the guardrail, ladder, and other components are maintained in the correct position and state of repair and that all connectors are tight.
5. A bunk bed is not to be placed near a ceiling fan unless the distance between the closest points on the ceiling fan bunk. Bed is at least 2 metres.
6. Use guardrails on both sides of upper bunk.
7. Prohibit horseplay on or under bed(s).
8. Prohibit more than one person on upper bunk.
9. Use Ladder for entering and leaving upper bunk.
10. If the bunk bed will be placed next to the wall, the guardrail that runs the full length of the bed should be placed against The wall to prevent entrapment between the bed and the wall.
11. WARNING Do not use the bunk bed/high bed if any structural part is broken or missing.
12. Ventilation of the room is necessary in order to keep the humidity low and to prevent mould in and around the bed.
13. WARNING "high beds & the upper bed of bunk beds are not suitable for children under six years due to risk of injury from falls";
14. WARNING "children can become trapped between the bed & the wall, a roof pitch, the ceiling, adjoining pieces of furniture (e.g.cupboard) and the like. To avoid risk of serious injury the distance between the top safety barrier and the adjoining structure shall not exceed 75mm nor shall be more than 230mm",
15. This child bed conforms to BS EN 747-1 : 2024, "Furniture - Bunk beds and high beds".
16. Always follow the manufacturer's instructions.
17. All bunk beds and high beds intended to be assembled by other than the manufacturer or his/her representative shall include assembly instructions including a list of the parts supplied and details of any tools required to assemble the bed.

STRANGULATION HAZARD:

18. Never attach or hang items to any part of the bunk bed that are not designed for use with the bed for example, but not limited to hook, belt and jump ropes.
19. WARNING "Bunk Beds and high beds can present a serious risk of injury from strangulation if not used correctly.Never attach or hang items to any part of the bunk bed that are not designed to be used with the bed.for example, but not limited to ropes, strings, cords, hooks, belts and bags"

Model : Marley

Product Size : 920 x 1920mm (Base Int Size)

Tools Required For Assembly



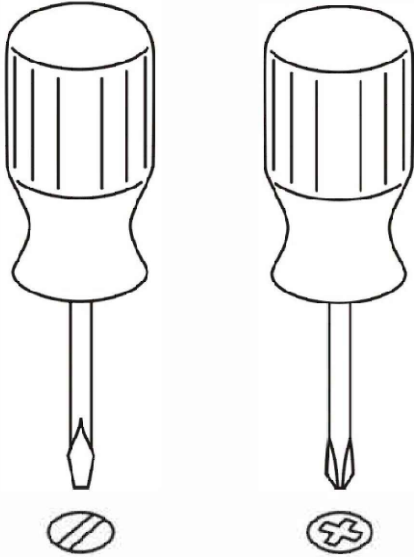
DO NOT USE POWER TOOLS TO ASSEMBLE THIS PRODUCT. USE OF POWER TOOLS WILL INVALIDATE ANY CLAIM AND MAY DAMAGE THIS PRODUCT MAKING IT UNSAFE.



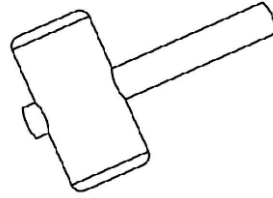
Approximately 3 hour



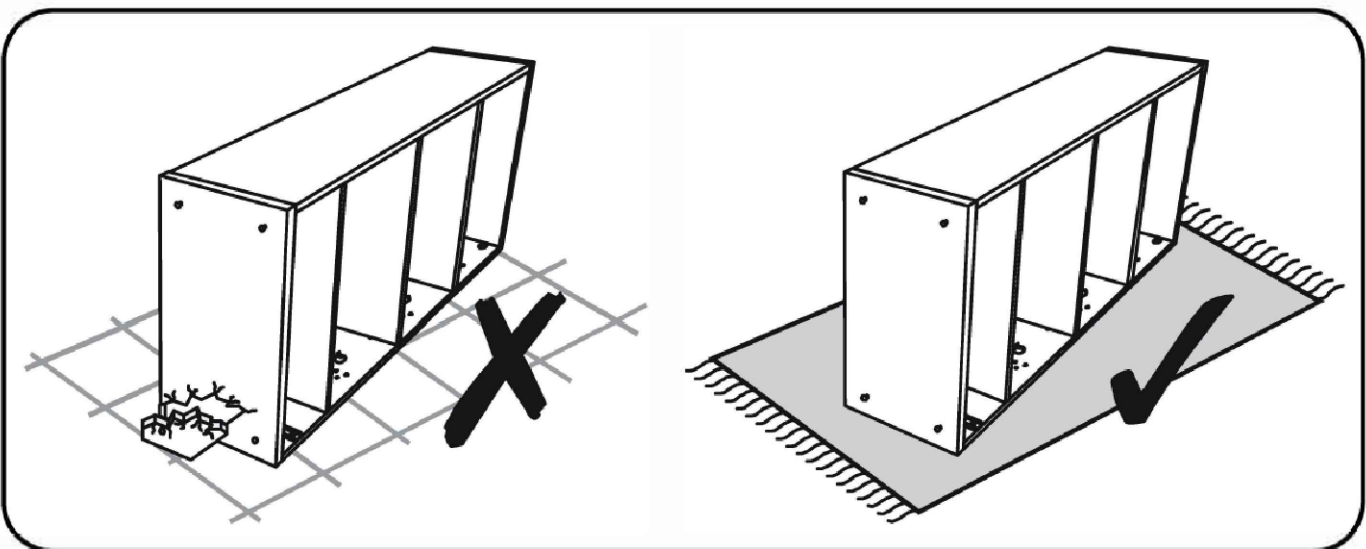
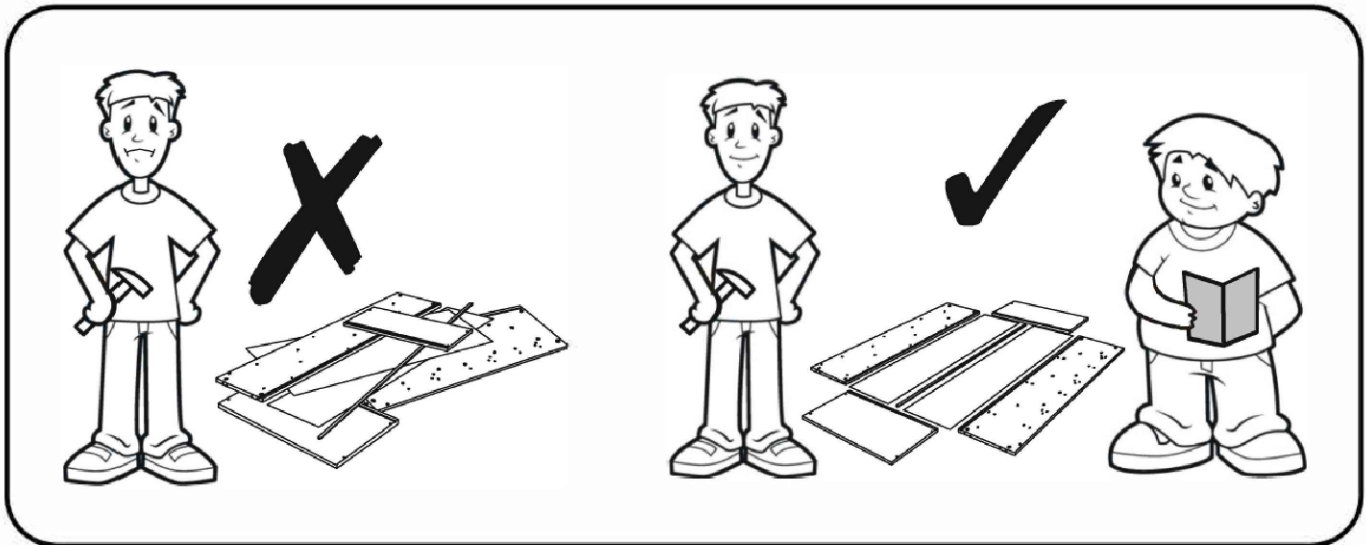
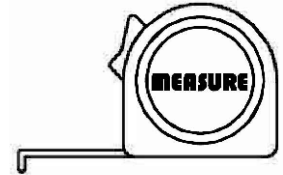
2 People Required



Rubber Hammer



Tape Measure



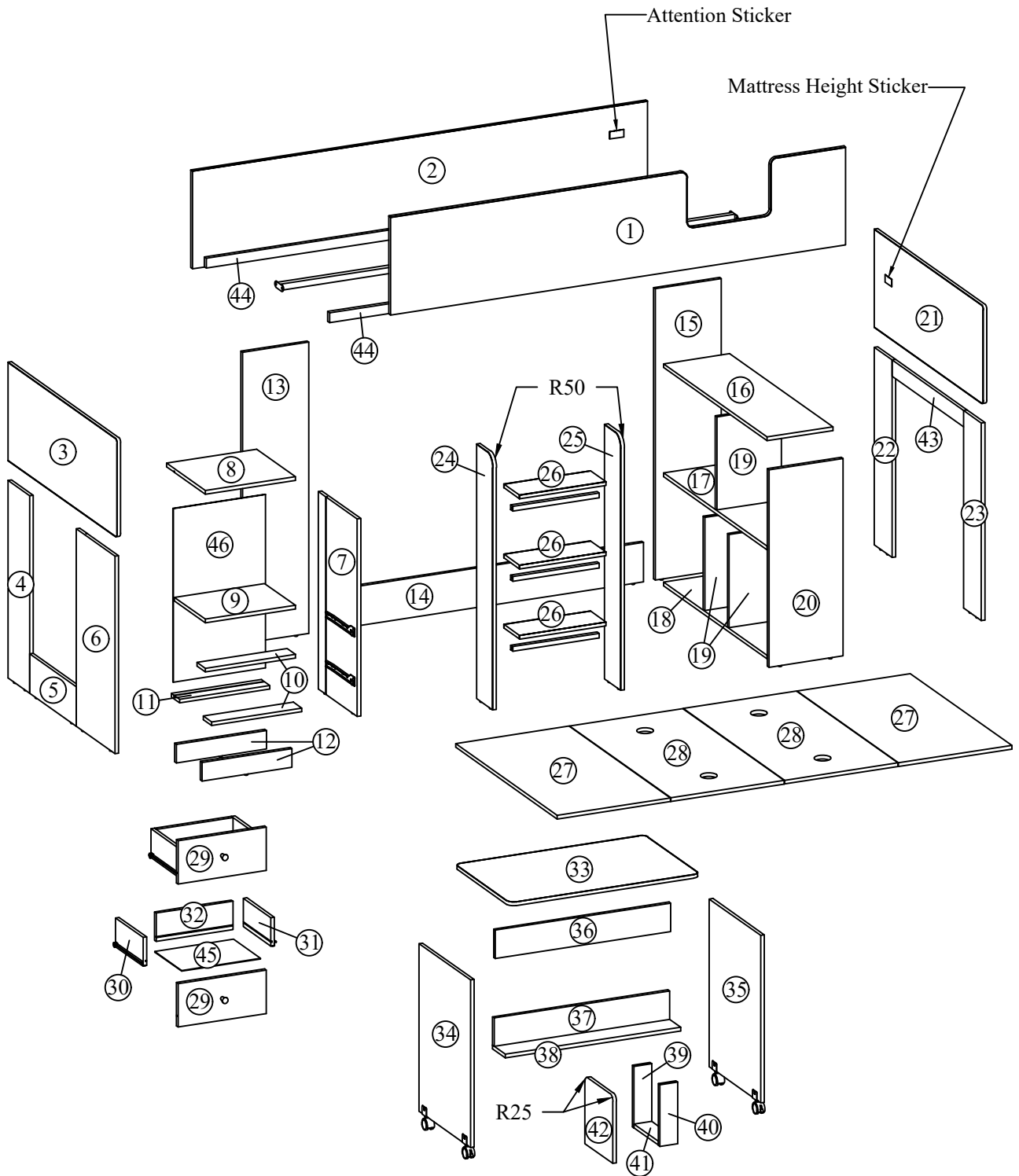
Part List

Model : Marley

Carton 1 of 4			Carton 3 of 4		
No.	Part Name	Pcs	No.	Part Name	Pcs
3	Side Panel (Upper) (Left)	1	4	Side Panel (Back) (Left)	1
8	Storage Top Panel	1	16	Cabinet Top Panel	1
9	Storage Shelf Panel	1	17	Cabinet Shelf Panel	1
19	Cabinet Divider Panel	3	18	Cabinet Bottom Panel	1
21	Side Panel (Upper) (Right)	1	27	Base Panel	2
24	Ladder Left Panel	1	28	Base Panel	2
25	Ladder Right Panel	1			
26	Ladder Step	3	Carton 4 of 4		
29	Drawer Front Panel	2	1	Front Guardrail	1
30	Drawer Left Panel	2	2	Back Guardrail	1
31	Drawer Right Panel	2	13	Left Back Support Panel	1
32	Drawer Back Panel	2	14	Bottom Support Panel	1
43	Side Support Panel (Right)	1	15	Right Back Support Panel	1
45	Drawer Bottom Panel	2	44	Base Support Rail	2
46	Storage Back Panel	1			
Assembly Instructions + Fitting List					
Carton 2 of 4					
5	Side Panel (Lower) (Left)	1			
6	Storage Left Panel	1			
7	Storage Right Panel	1			
10	Storage Front Support Panel	2			
11	Storage Back Support Panel	1			
12	Storage Plinth Panel	2			
20	Cabinet Front Panel	1			
22	Side Panel (Back) (Right)	1			
23	Side Panel (Front) (Right)	1			
33	Table Top Panel	1			
34	Table Left Panel	1			
35	Table Right Panel	1			
36	Table Top Support Panel	1			
37	Table Back Support Panel	1			
38	Table Bottom Support Panel	1			
39	Table Storage Left Panel	1			
40	Table Storage Right Panel	1			
41	Table Storage Bottom Panel	1			
42	Table Storage Front Panel	1			














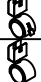







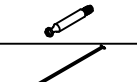







Part List

Model : Marley



Fitting List

Model : Marley

No.	Part Name		Qty
A	M5 x 40mm UNITAR SCREW		22
B	BARREL NUT M6		33
C	JCN M6 x 12mm		14
D	JCBC SCREW M6 x 12mm		4
E	JCBC SCREW M6 x 25mm		6
F	JCBC SCREW M6 x 30mm		8
G	JCBC SCREW M6 x 40mm		6
H	JCBC SCREW M6 x 50mm		15
I	CAM NUT 15mm		102
J	CAM BOLT		84
K	WOOD DOWEL M6 x 25mm		74
L	WOOD DOWEL M8 x 50mm		18
M	PVC NAIL 5/8"		32
N	U SHAPE CASTER STOPPER		2
O	U SHAPE CASTER FREE		2
P	CSK SCREW M3.5 x 12 mm		24
Q	CSK SCREW M3.5 x 16 mm		4
R	CSK SCREW M4 x 30 mm		2
S	CSK SCREW M4 x 38 mm		24
T	KNOB HANDLE 2613		2
U	BACKPLY STOPPER		4
V	METAL RUNNER 10"		2 set
W	CONTRACTFIX DOWEL 5971		18
X	METAL CENTER PIPE		1
Y	METAL PIPE 19 x 19 x 364mm		3
Z	M6 ALLEN KEY		2
A1	JCBC SCREW M6 x 25mm		4
A2	CAP NUT M6		4
A3	SPANNER		1

Caution

There are many small components used in the construction of this unit. These loose items should be kept away from young children whilst assembling your unit. As an extra precaution, screw cover caps should be permanently fixed in position. (Where applicable)

USEFUL HINTS & TIPS




Two people will be required to assemble this unit

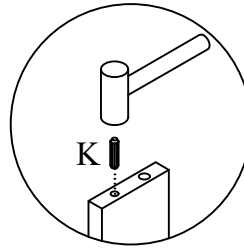
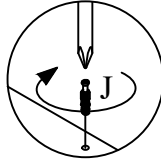
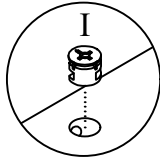
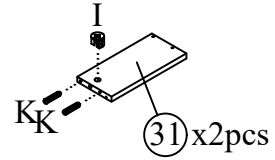
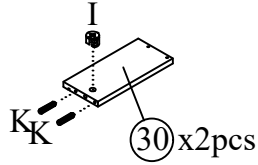
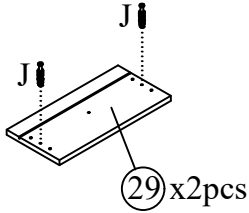
Please keep this assembly instruction for future reference

Guide To Assembly

Model : Marley

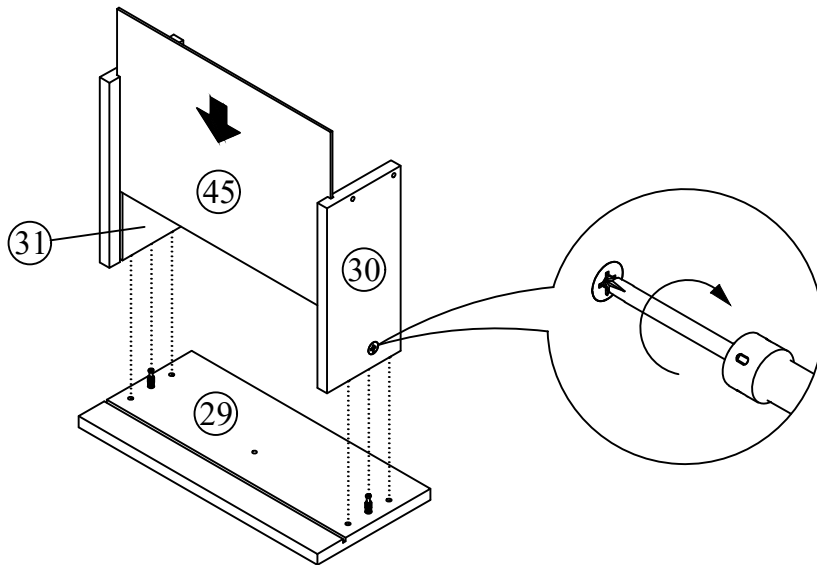
1

I		4
J		4
K		8



2


x2 SETS



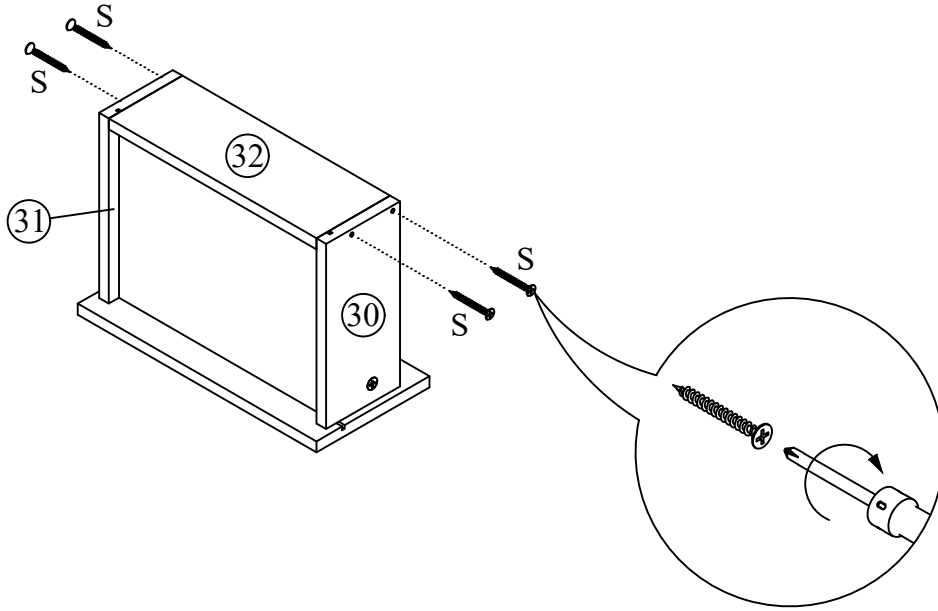
Guide To Assembly

Model : Marley



3

S		8
---	---	---

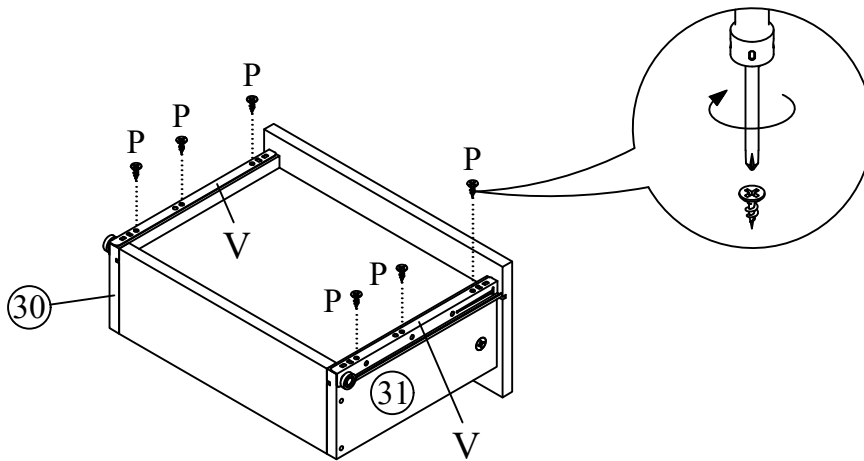
x2 SETS



4

P		12
V		2



x2 SETS



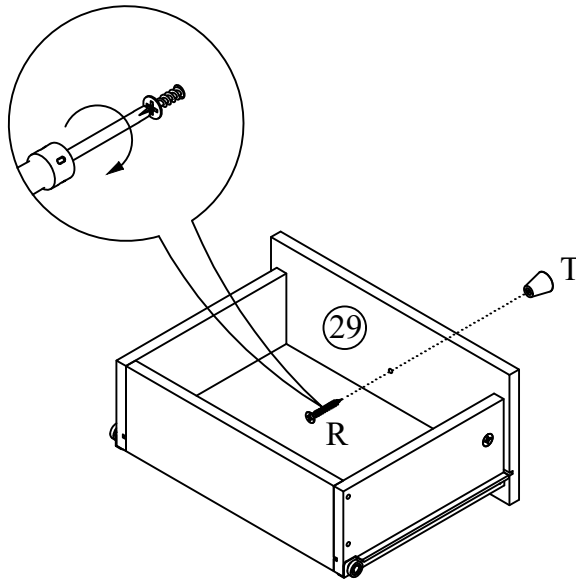
Guide To Assembly

Model : Marley




5

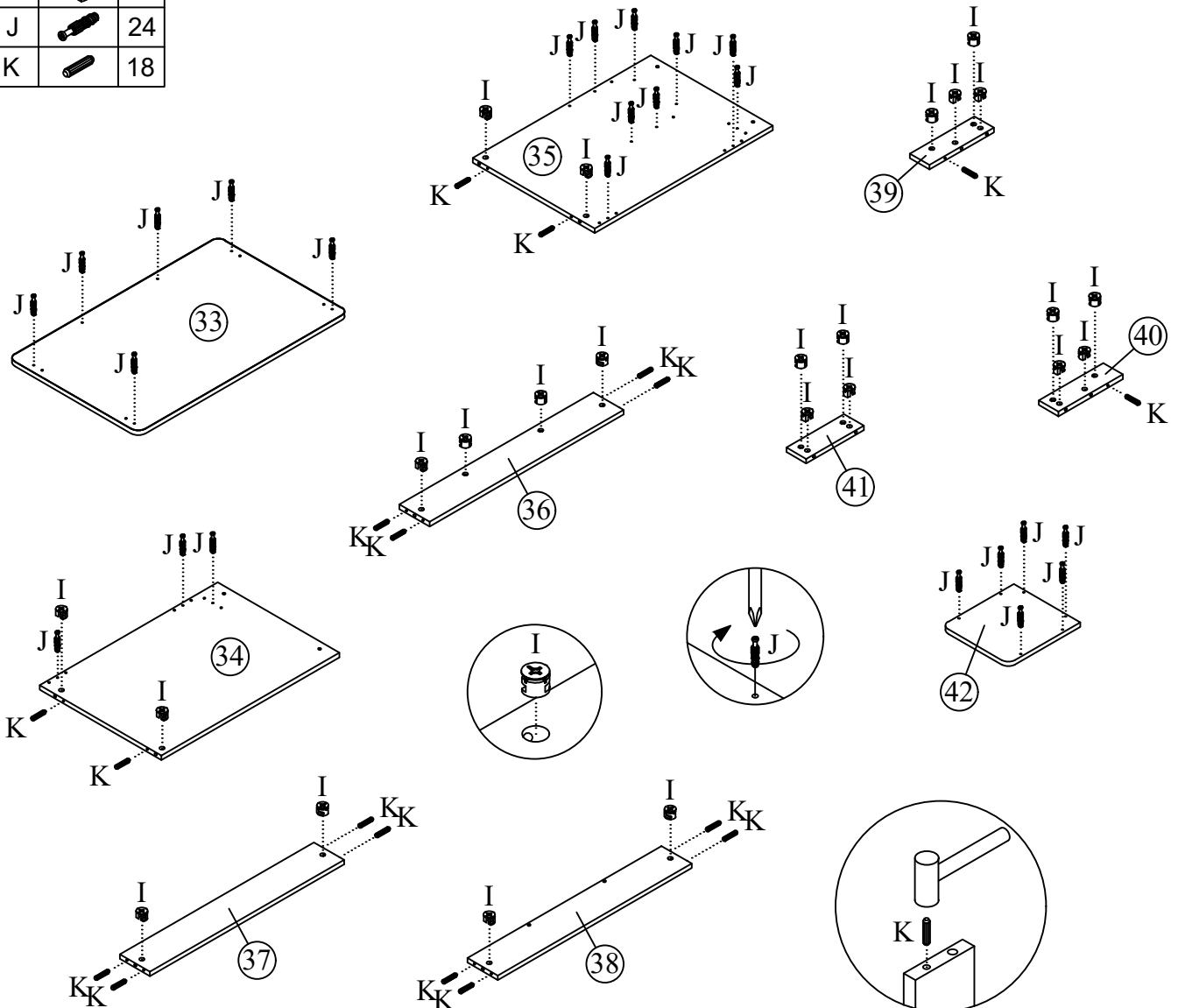
R		2
T		2

x2 SETS

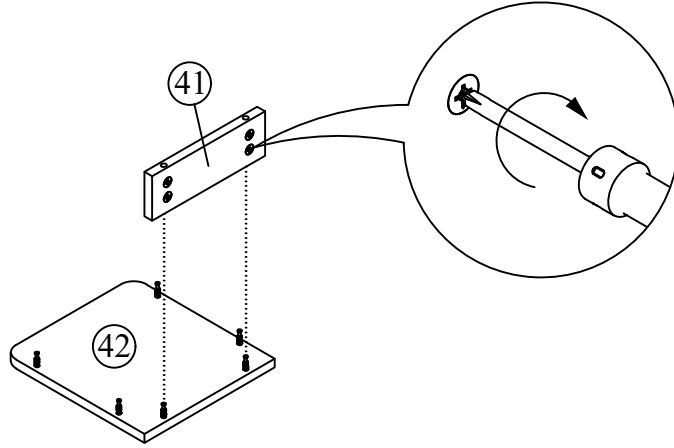


6

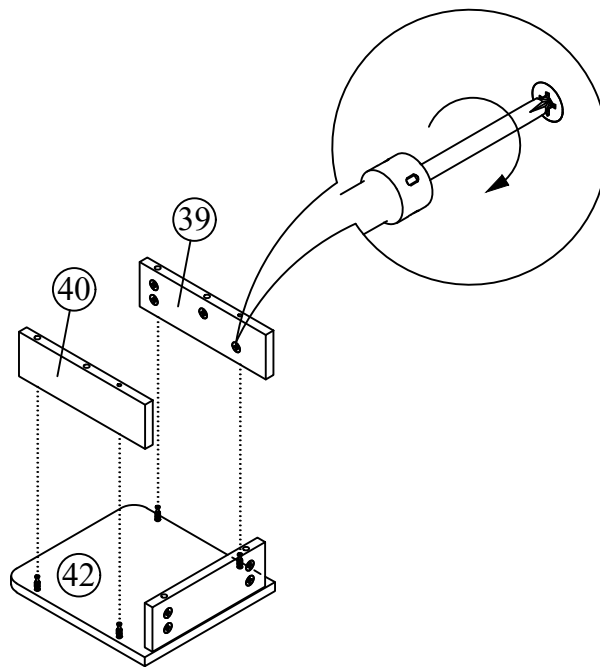
I		24
J		24
K		18



7



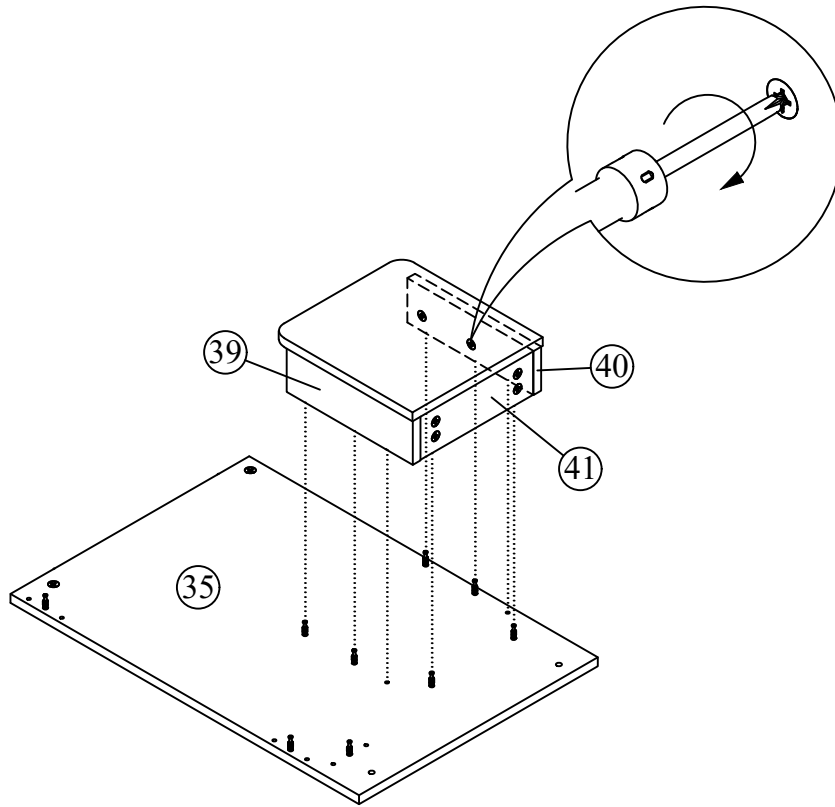
8



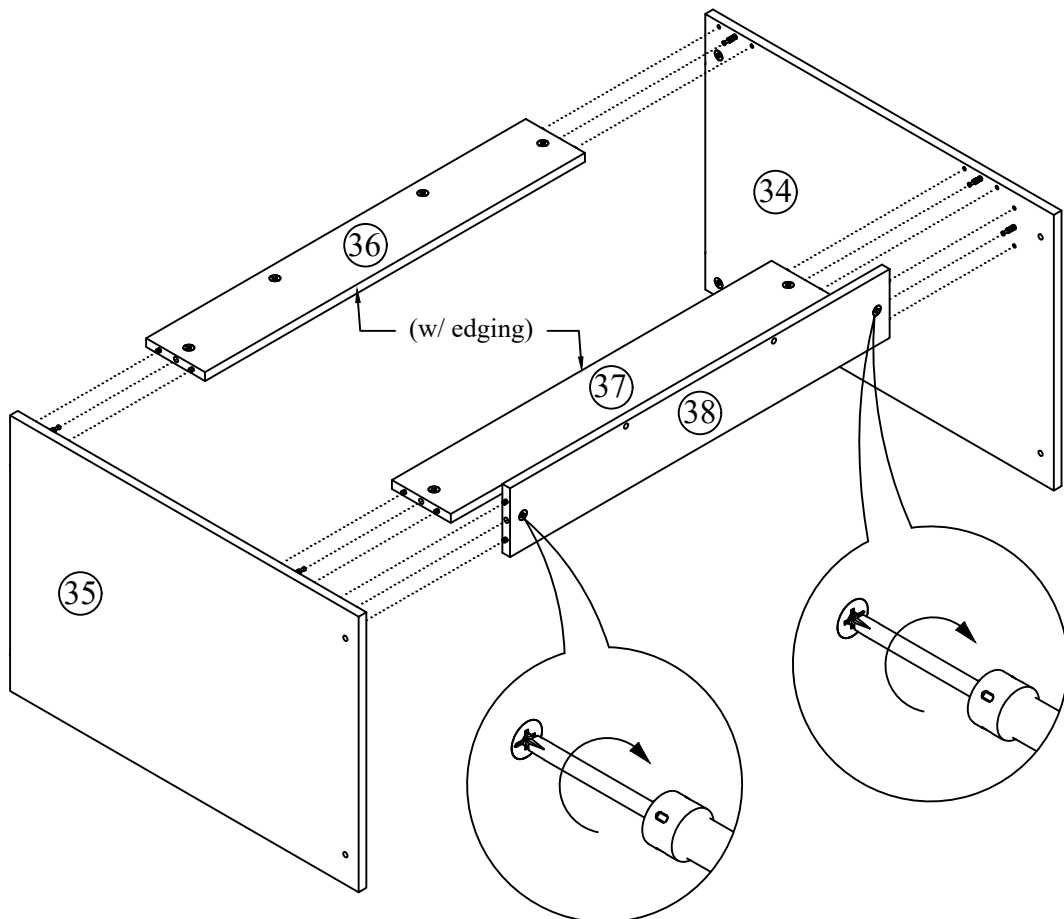
Guide To Assembly

Model : Marley

9




10

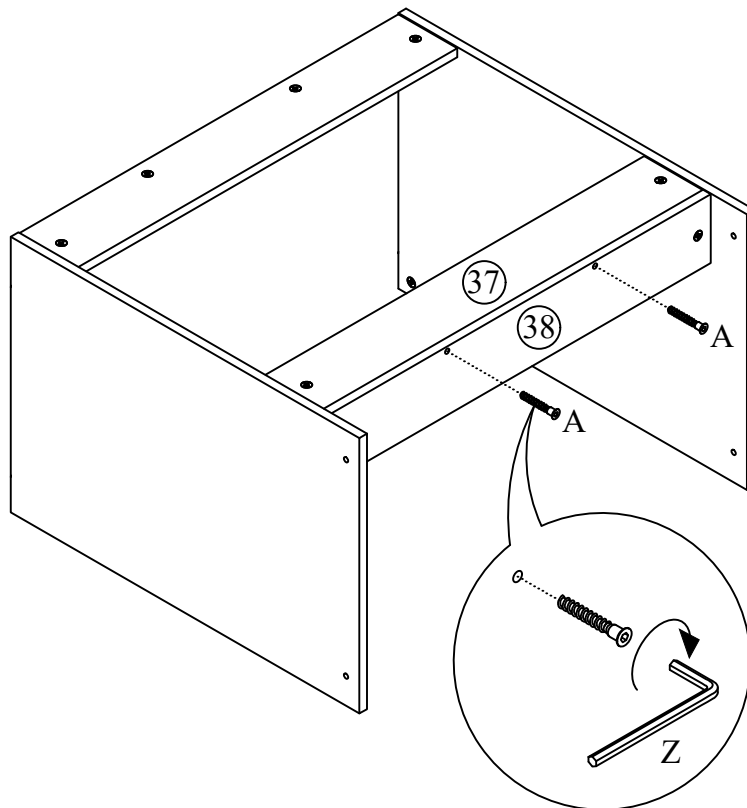


Guide To Assembly

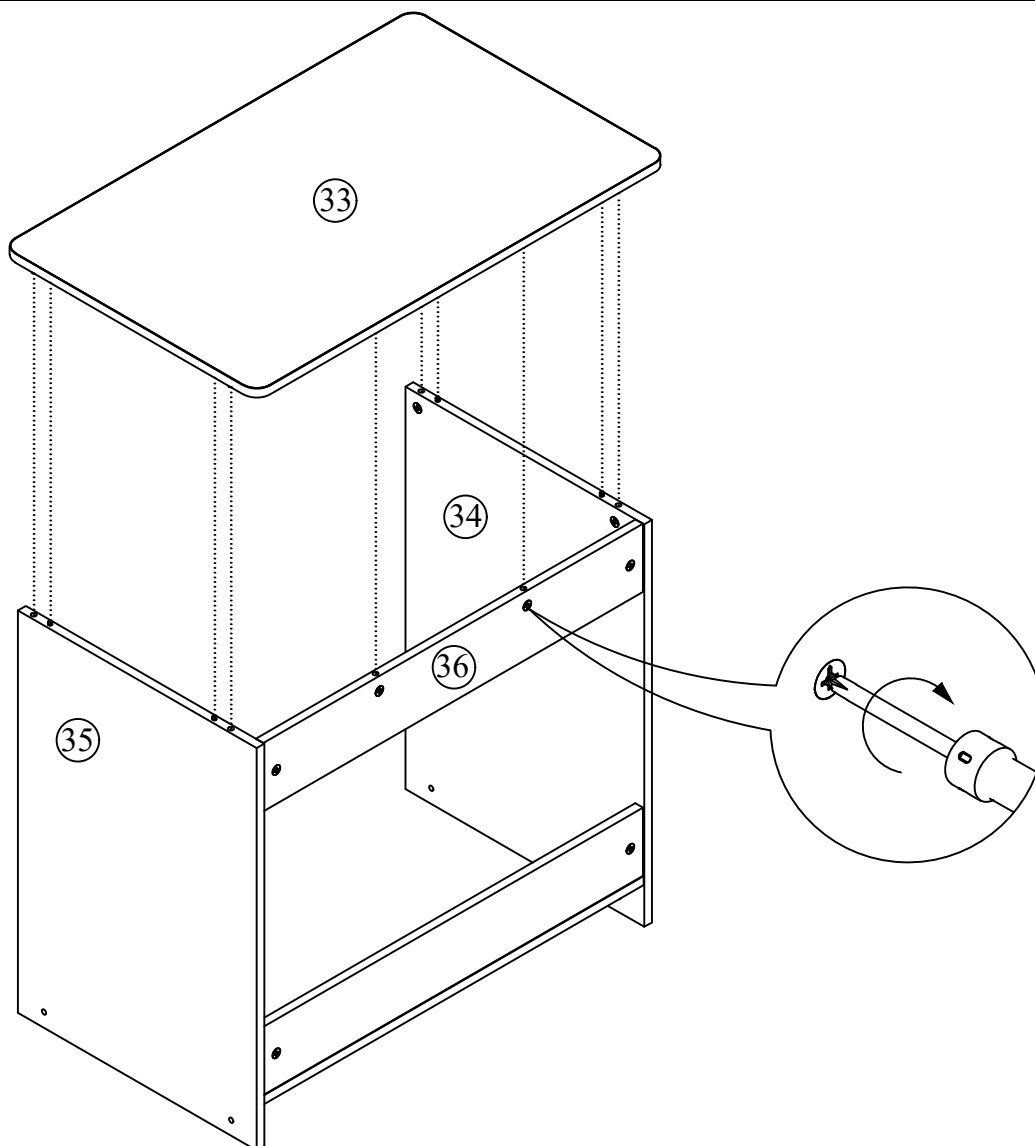
Model : Marley

11

A		2
---	---	---



12

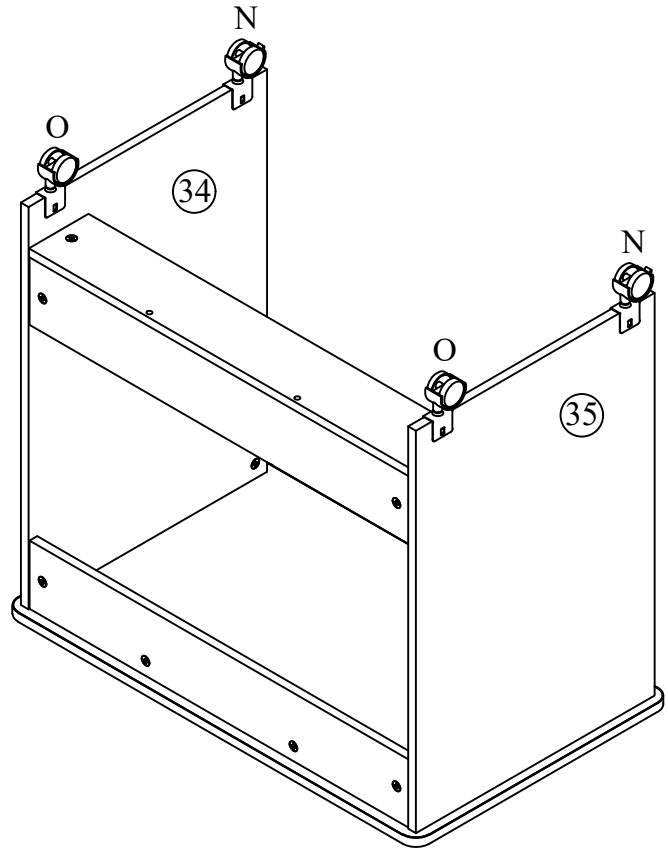
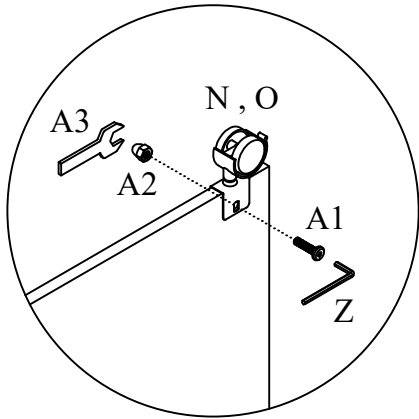


Guide To Assembly

Model : Marley

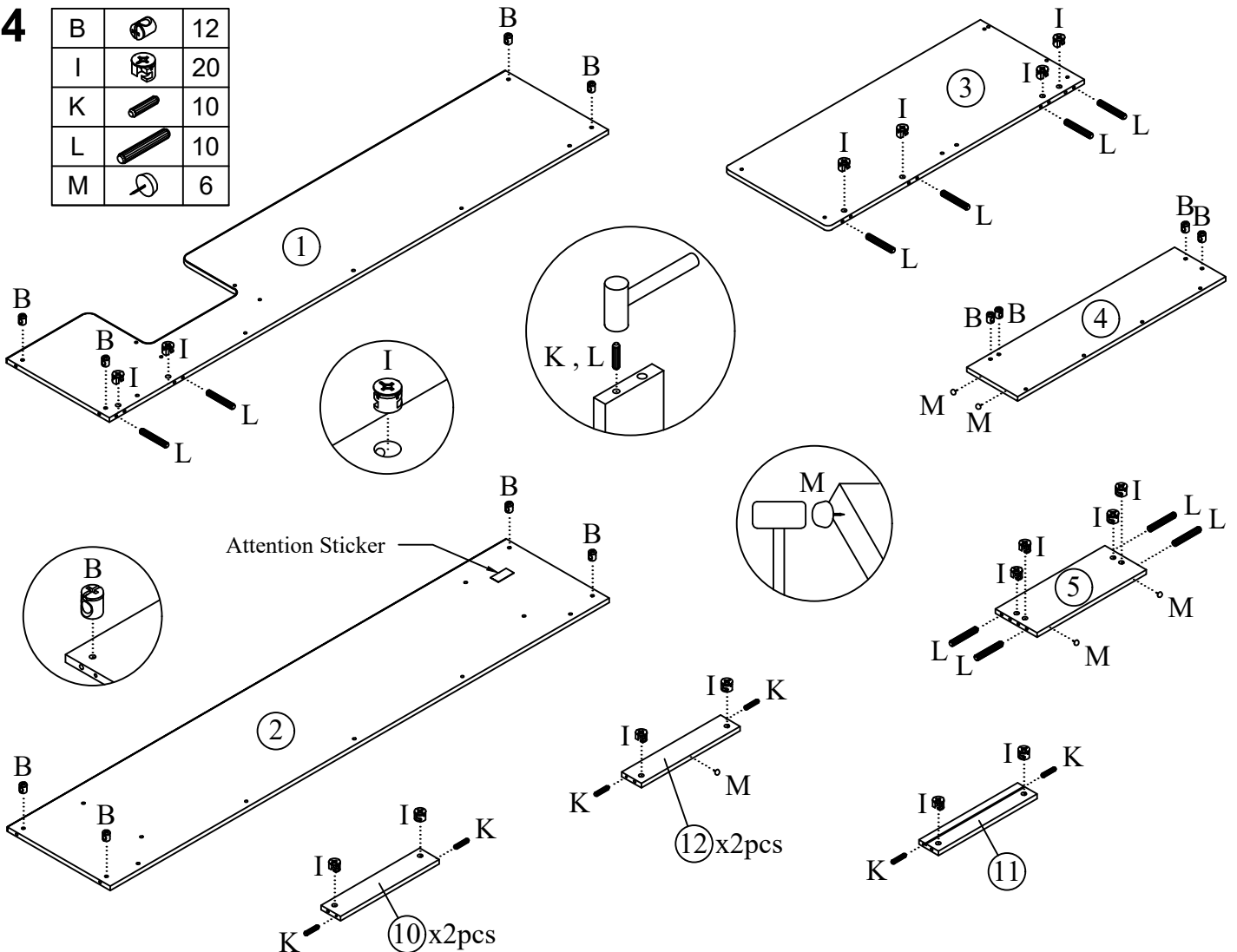
13

N		2
O		2
A1		4
A2		4
A3		1



14

B		12
I		20
K		10
L		10
M		6

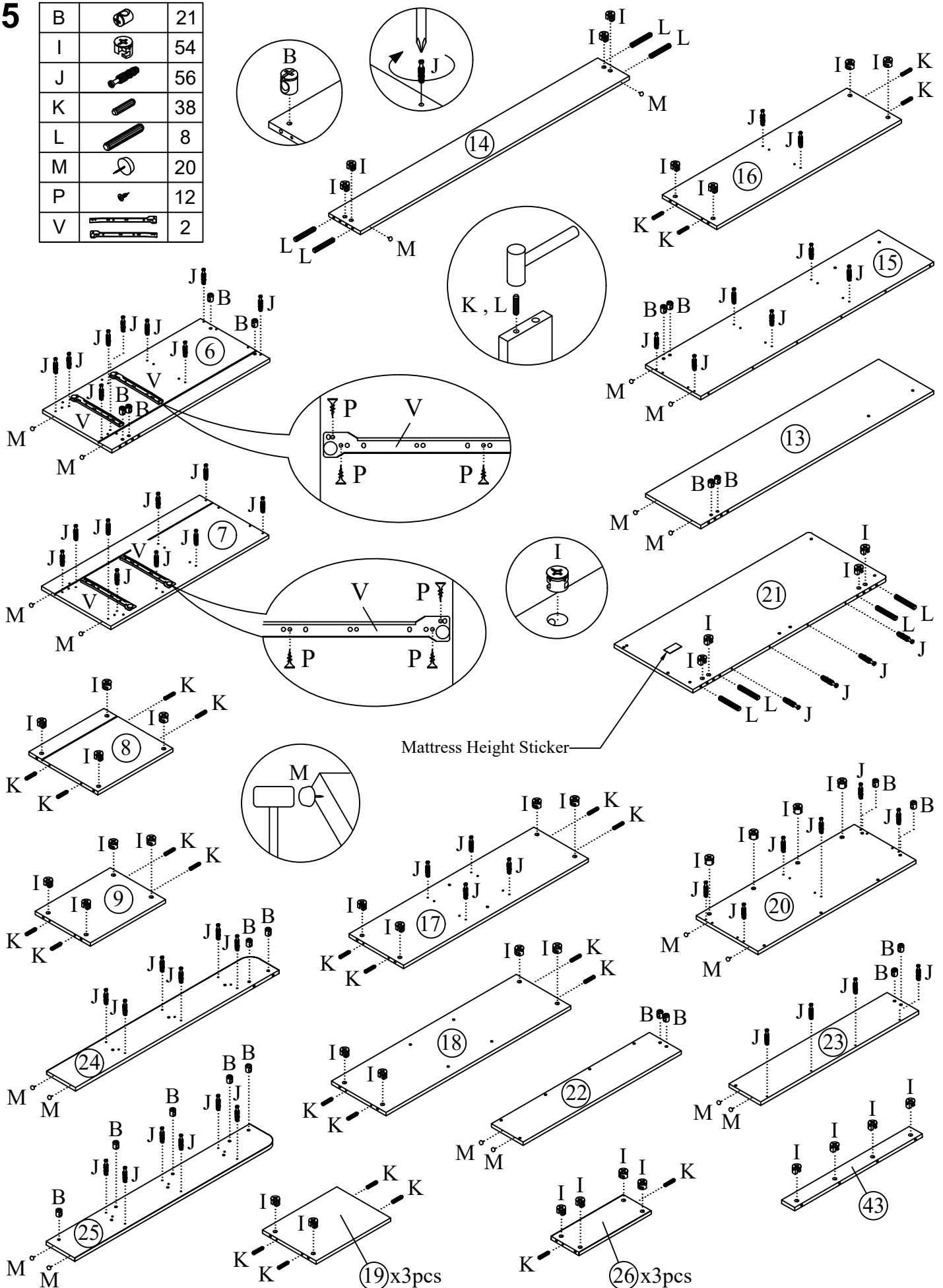


Guide To Assembly

Model : Marley

15


B		21
I		54
J		56
K		38
L		8
M		20
P		12
V		2

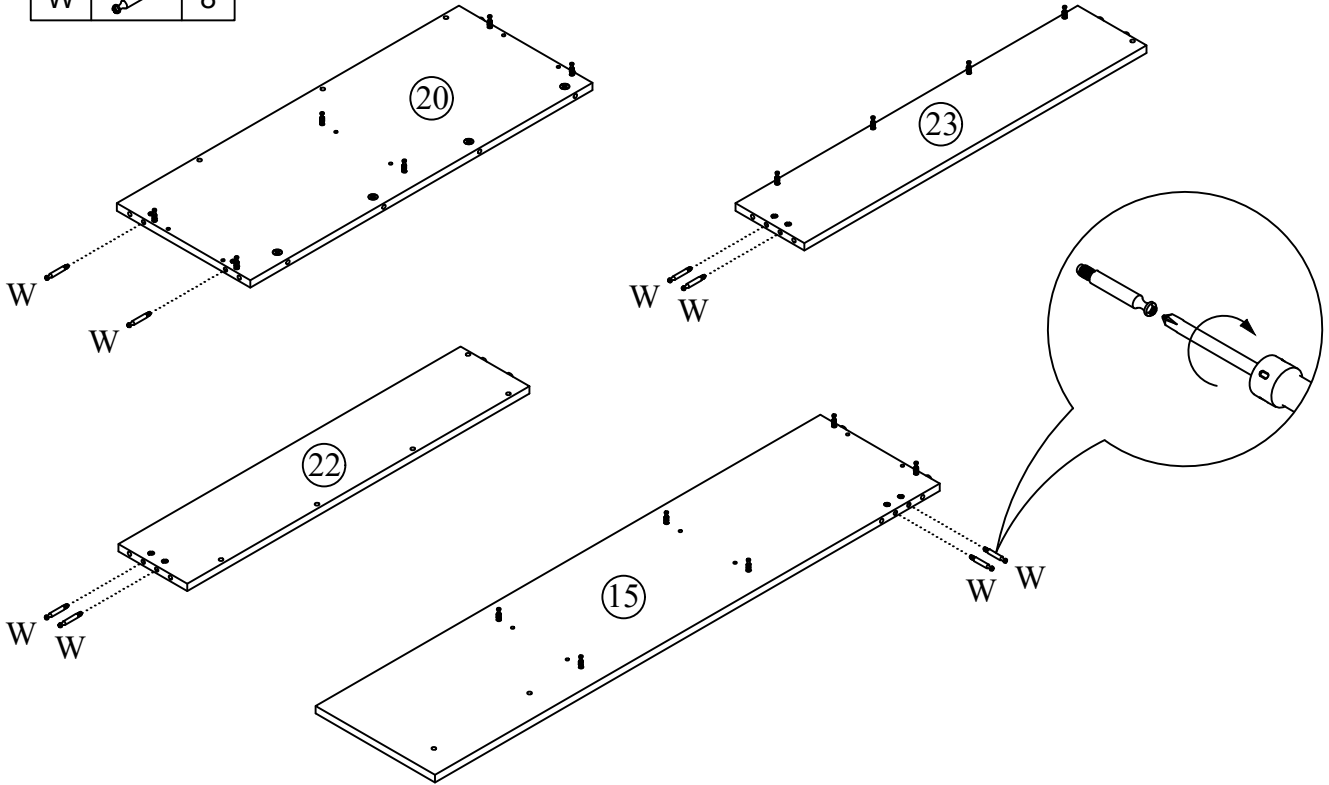


Guide To Assembly

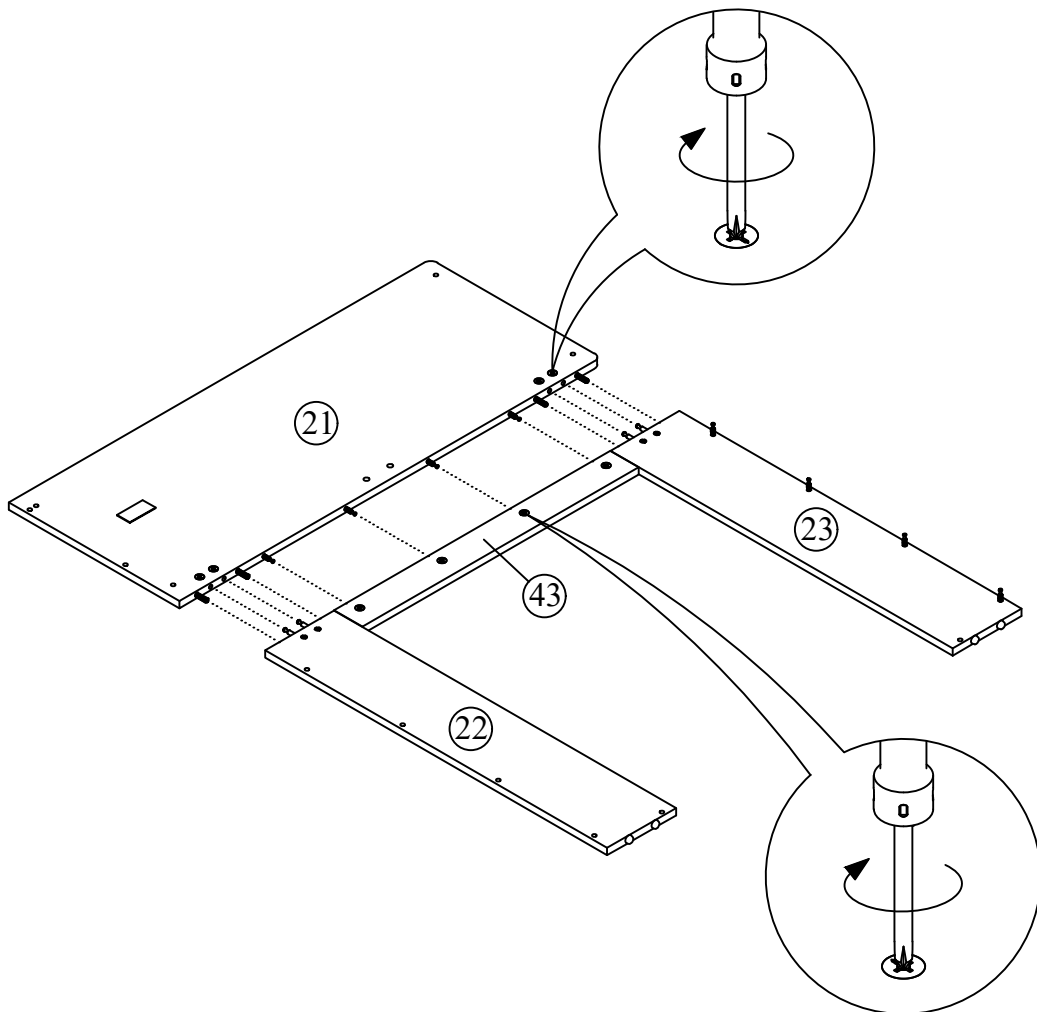
Model : Marley

16

W		8
---	---	---




17

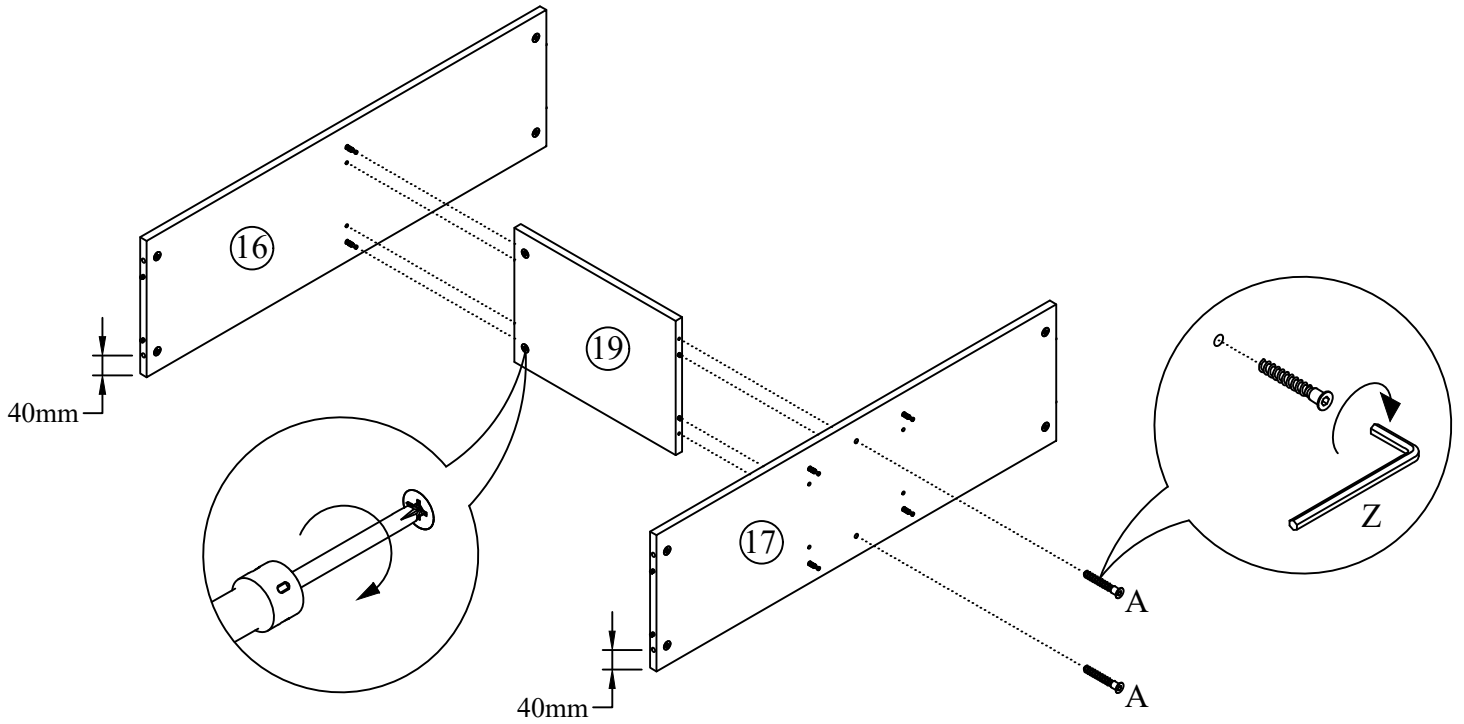


Guide To Assembly


Model : Marley

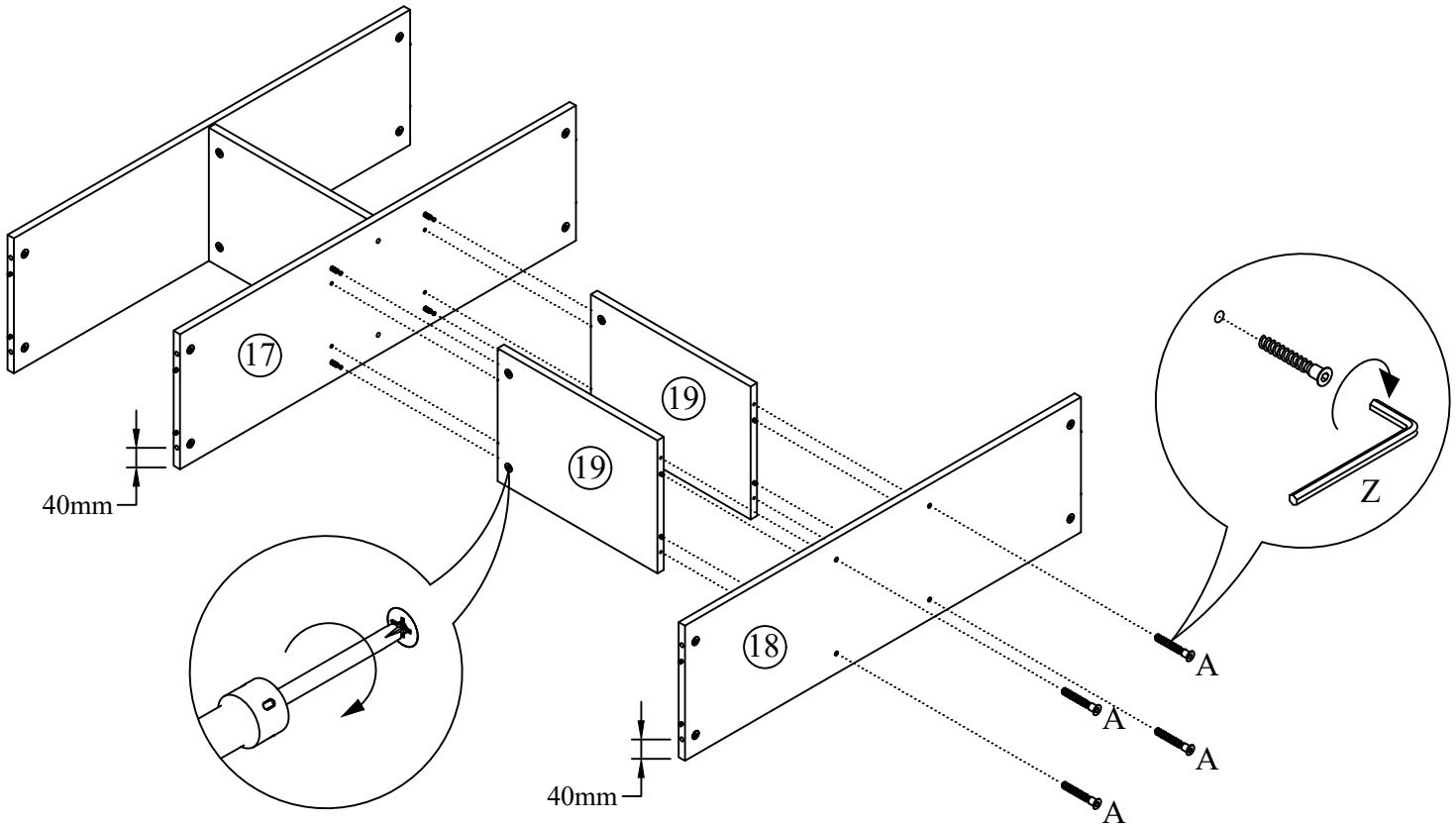
18

A		2
---	---	---



19

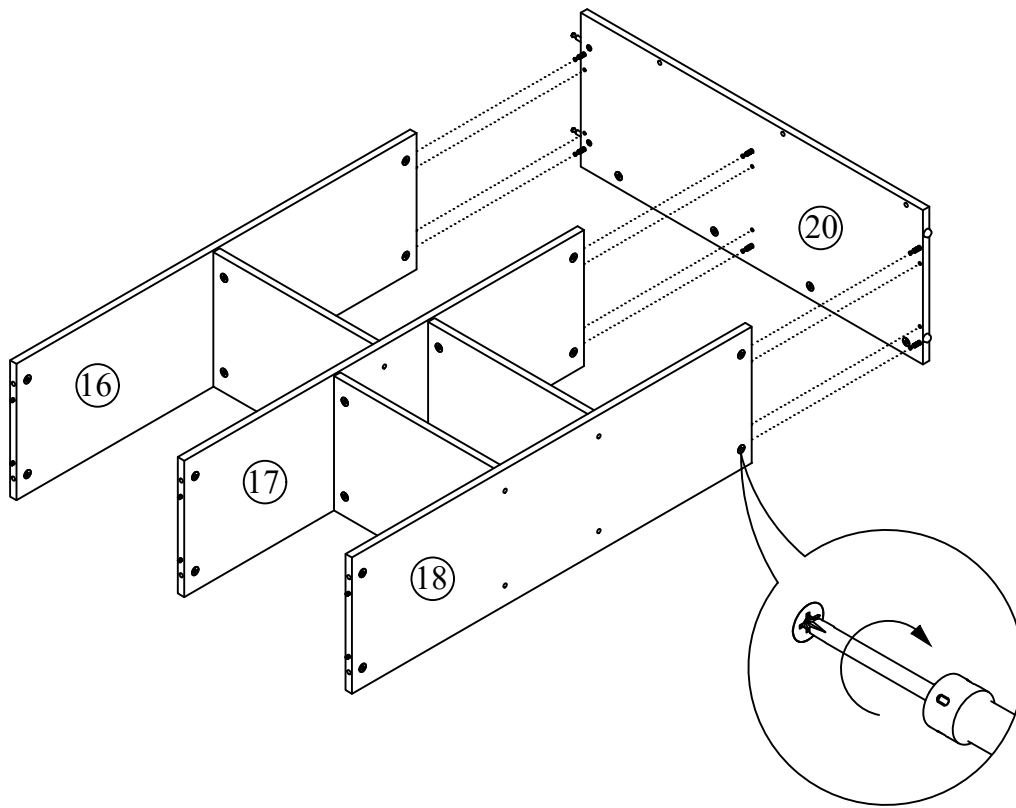
A		4
---	---	---



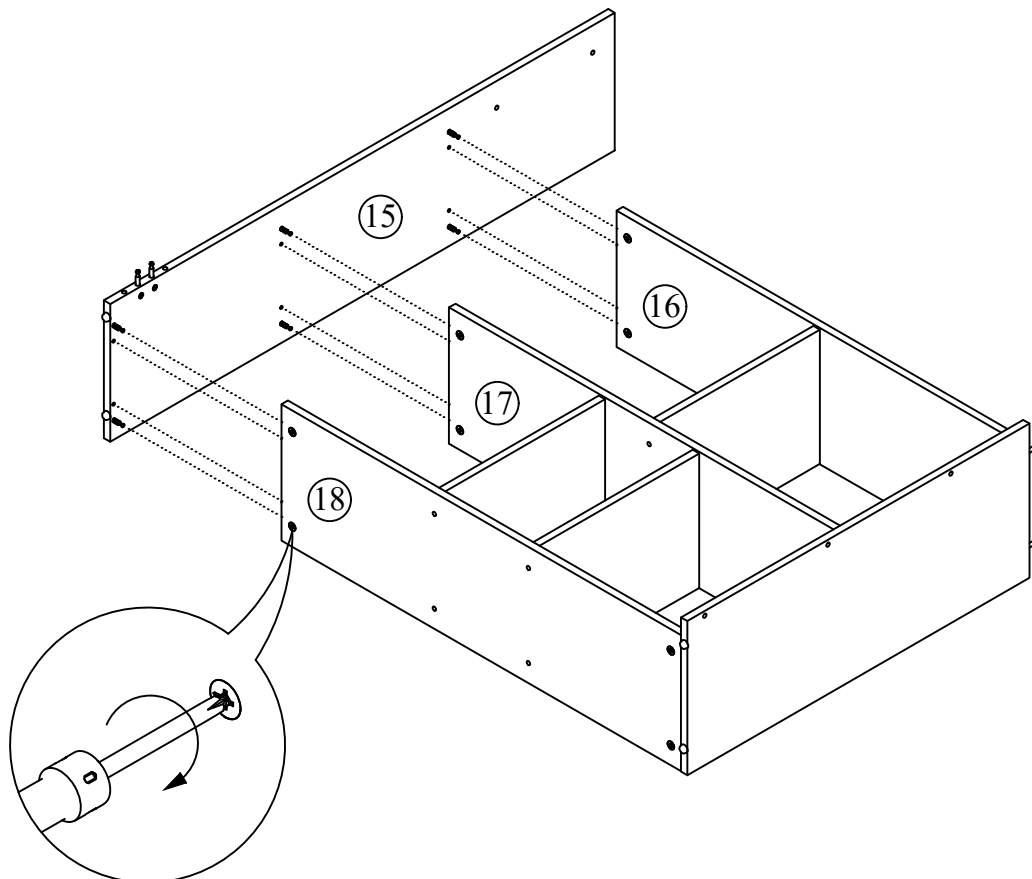
Guide To Assembly

Model : Marley

20




21

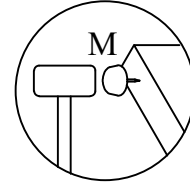
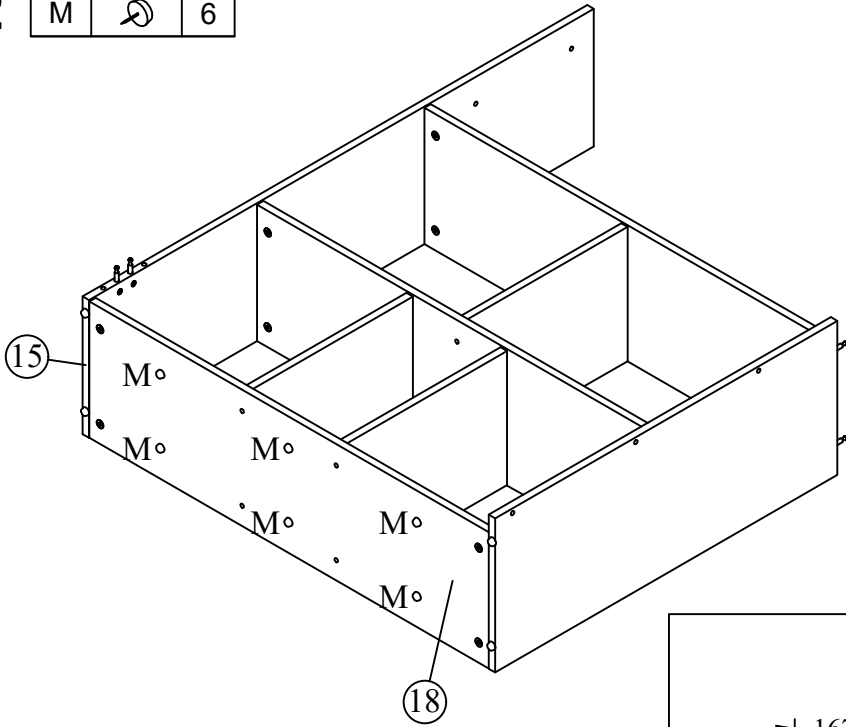


Guide To Assembly

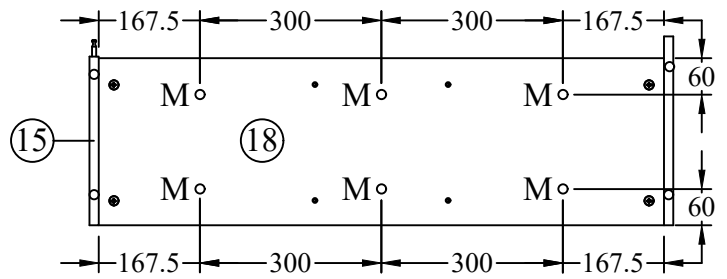
Model : Marley

22

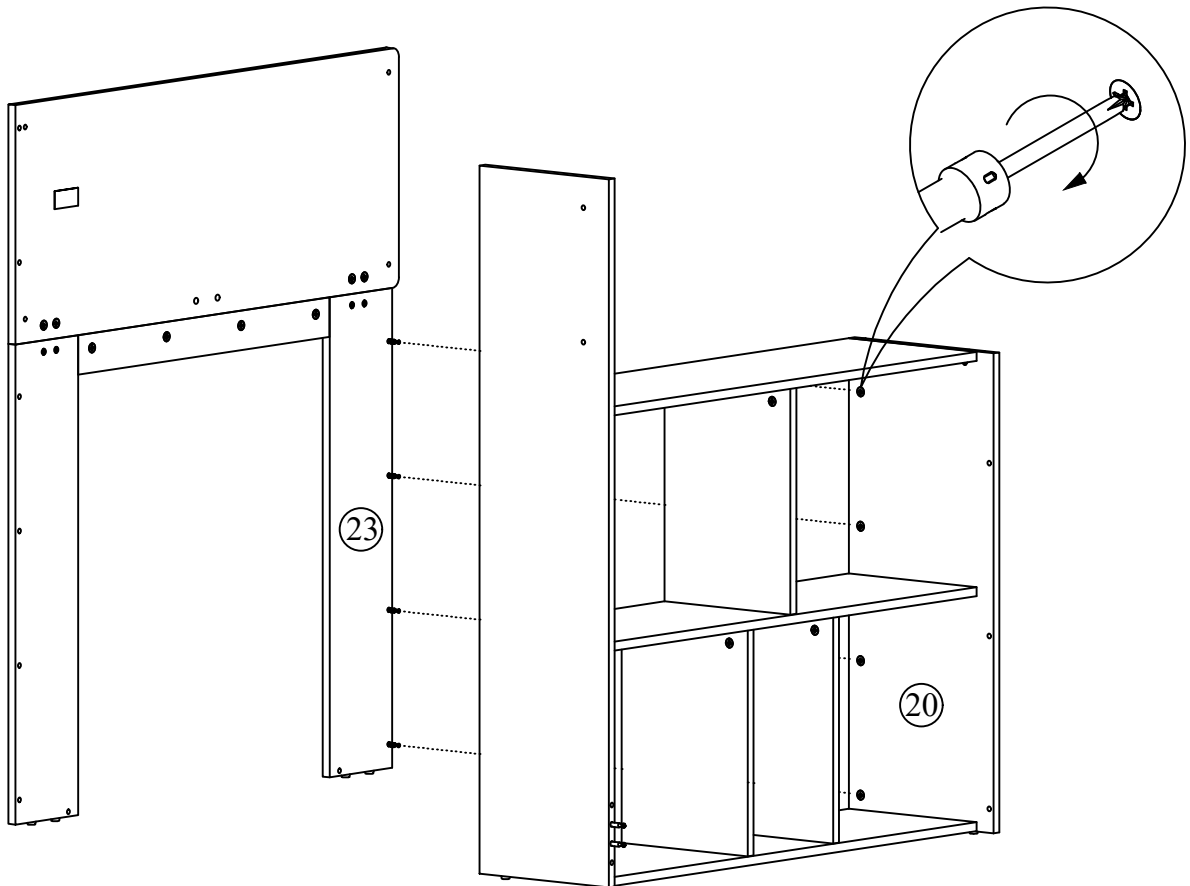
M		6
---	---	---



BOTTOM VIEW




23

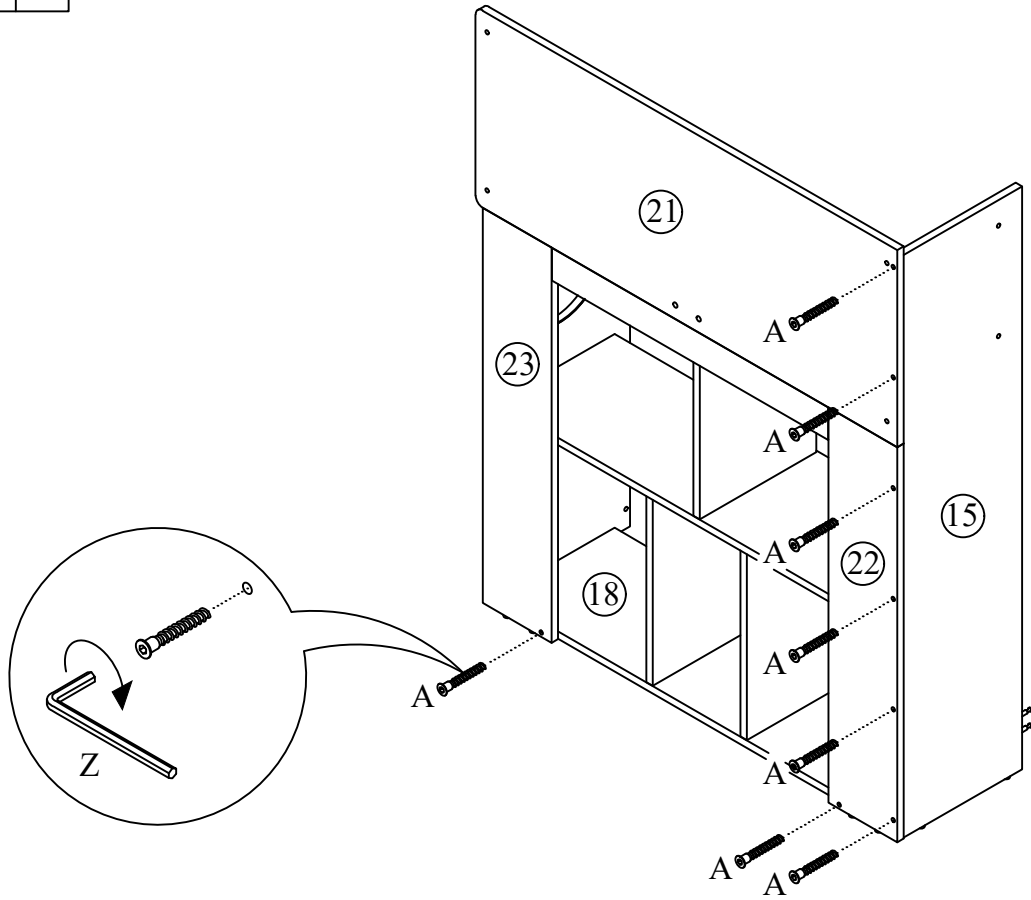


Guide To Assembly


Model : Marley

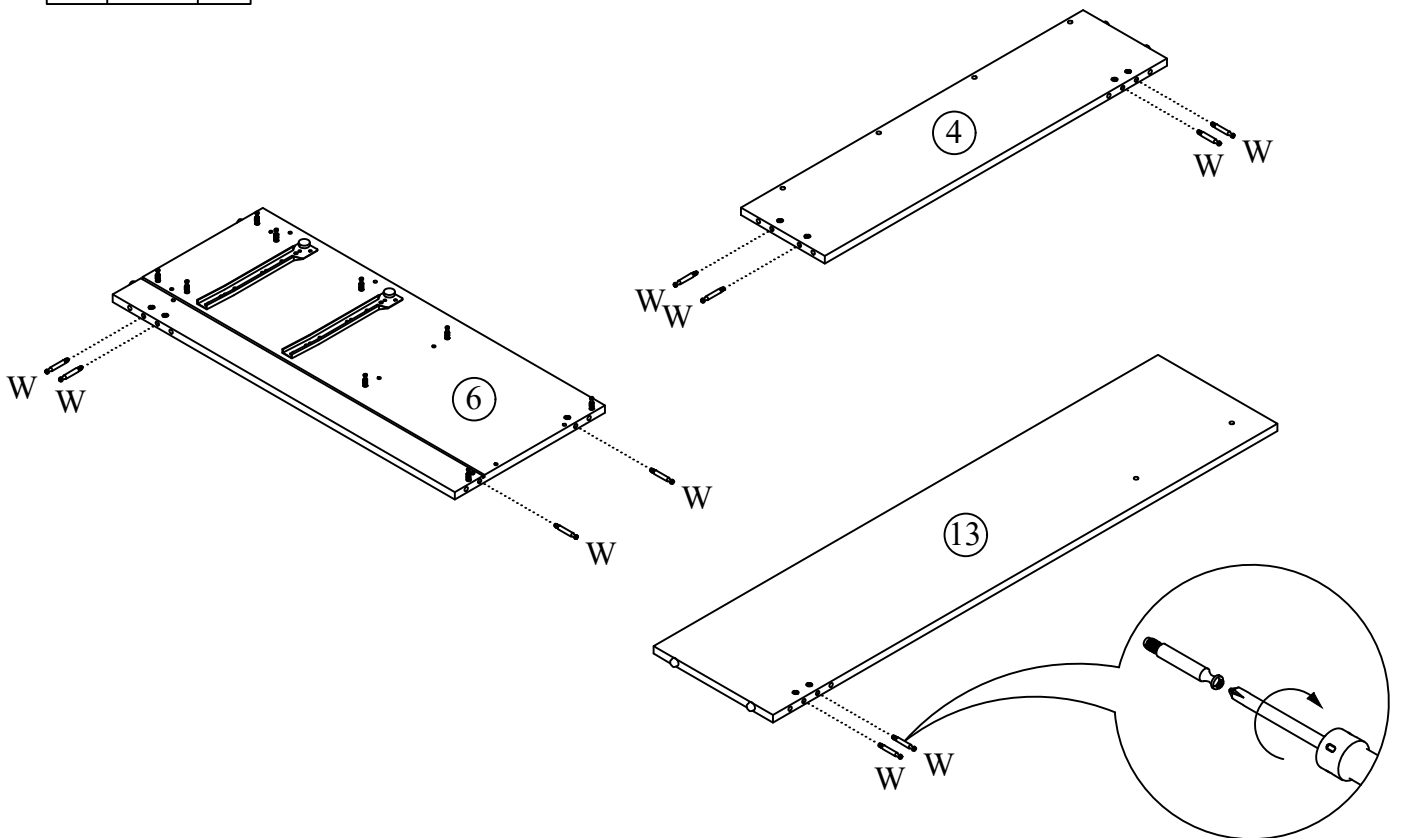
24

A		8
---	---	---

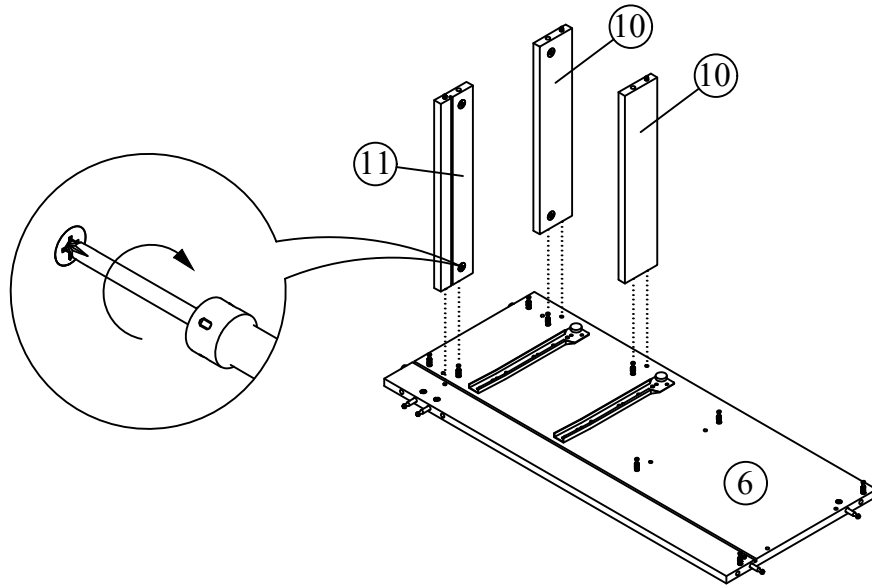


25

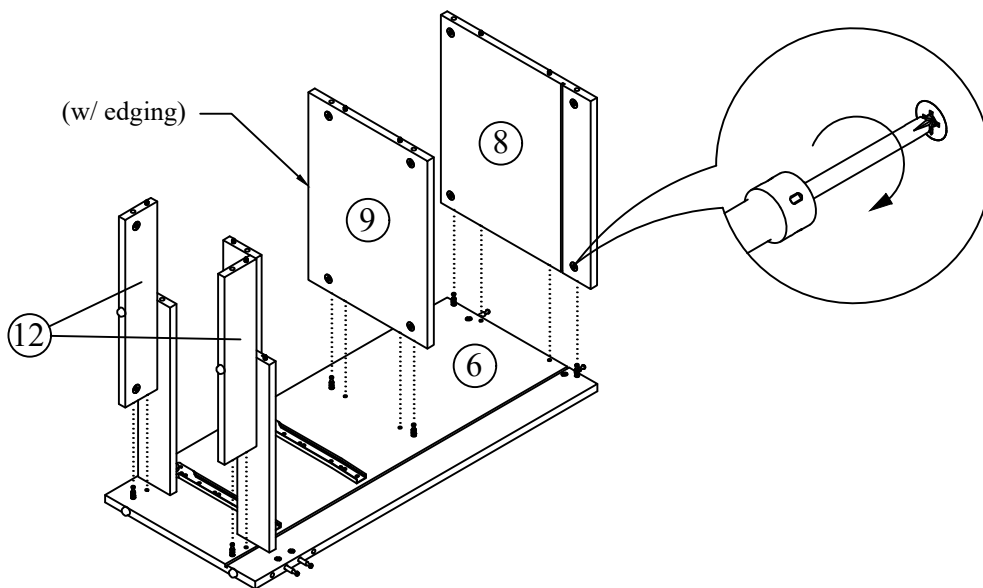
W		10
---	---	----



26



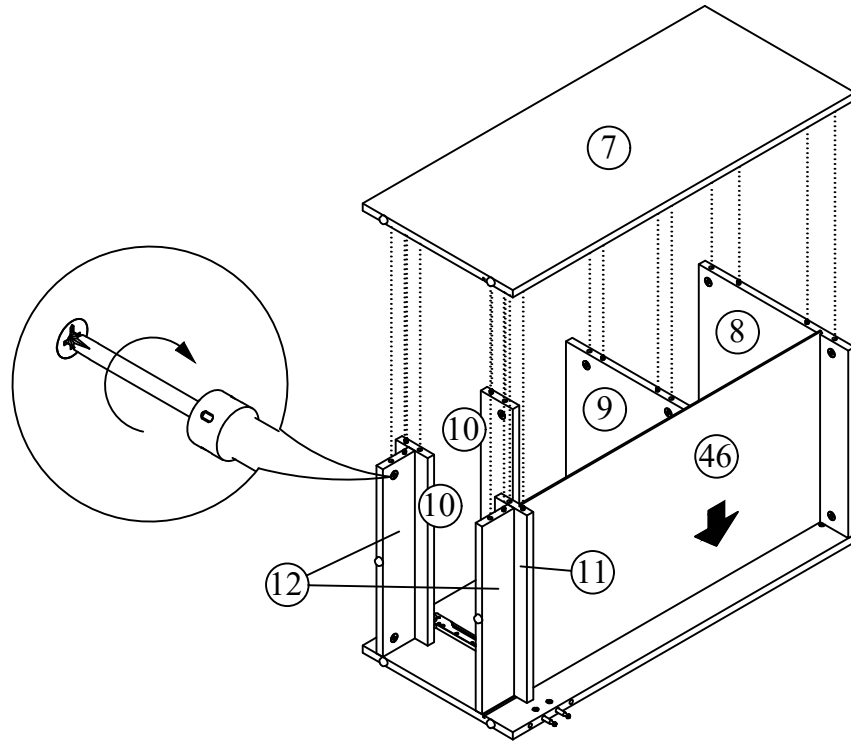
27



Guide To Assembly

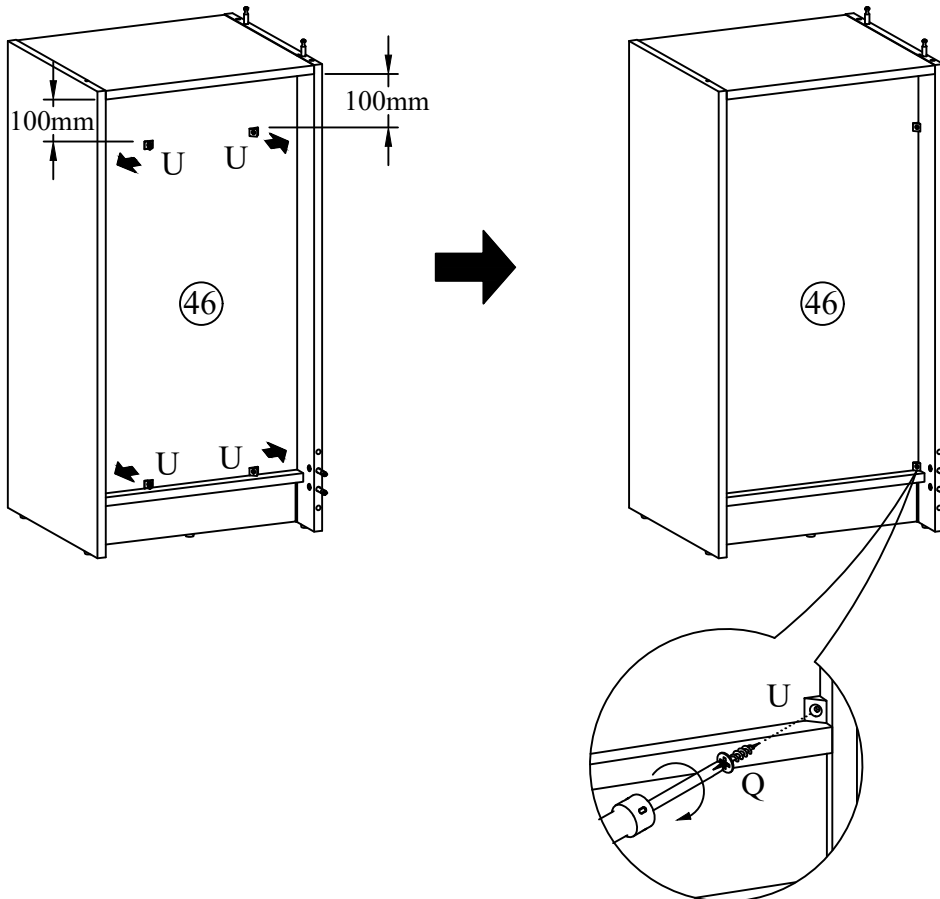
Model : Marley

28



29

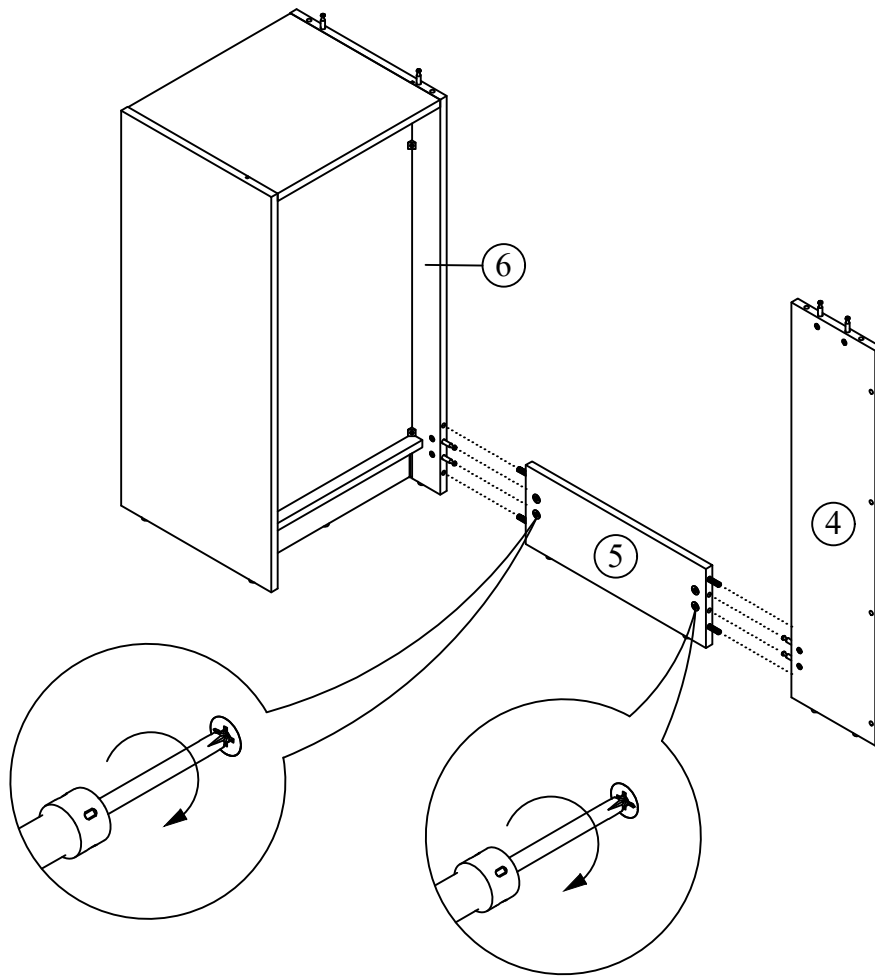
Q		4
U		4



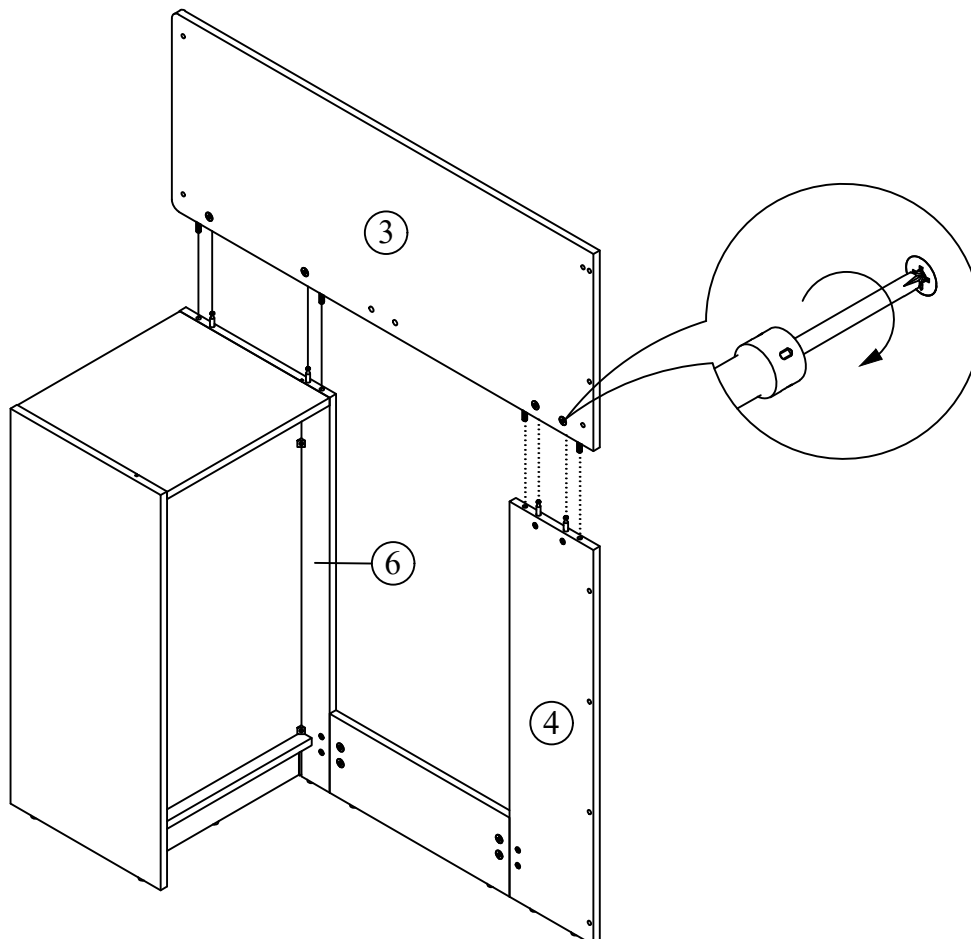
Guide To Assembly

Model : Marley

30




31

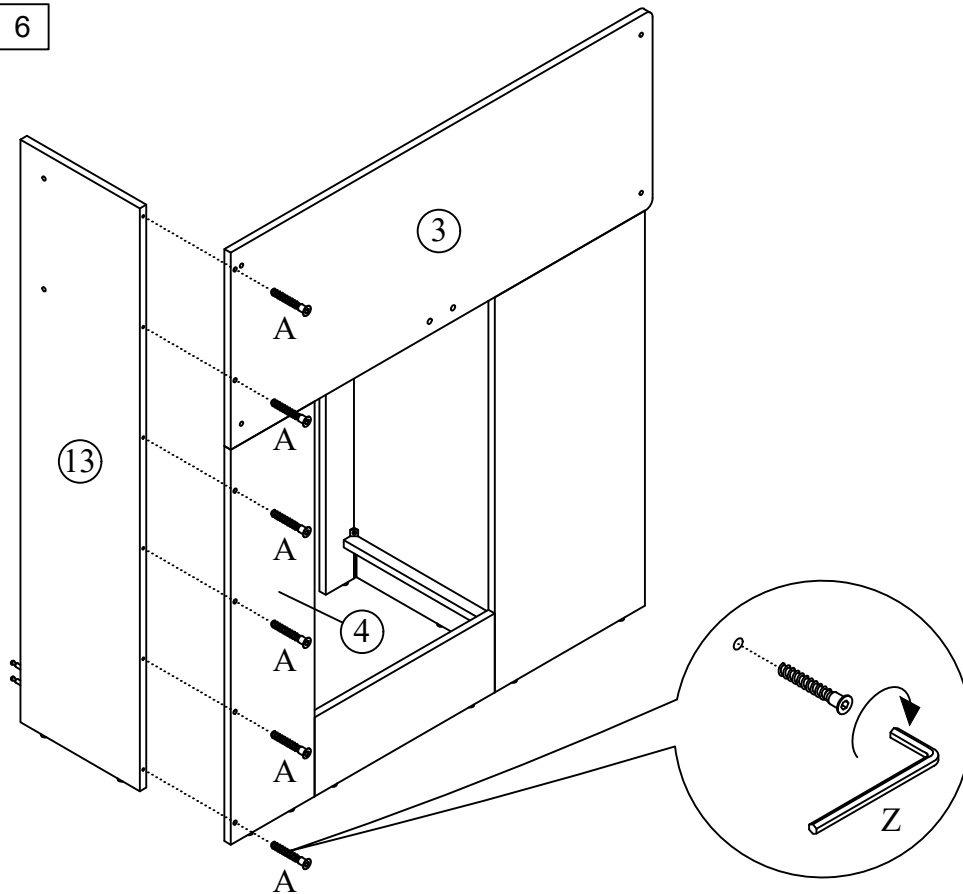


Guide To Assembly

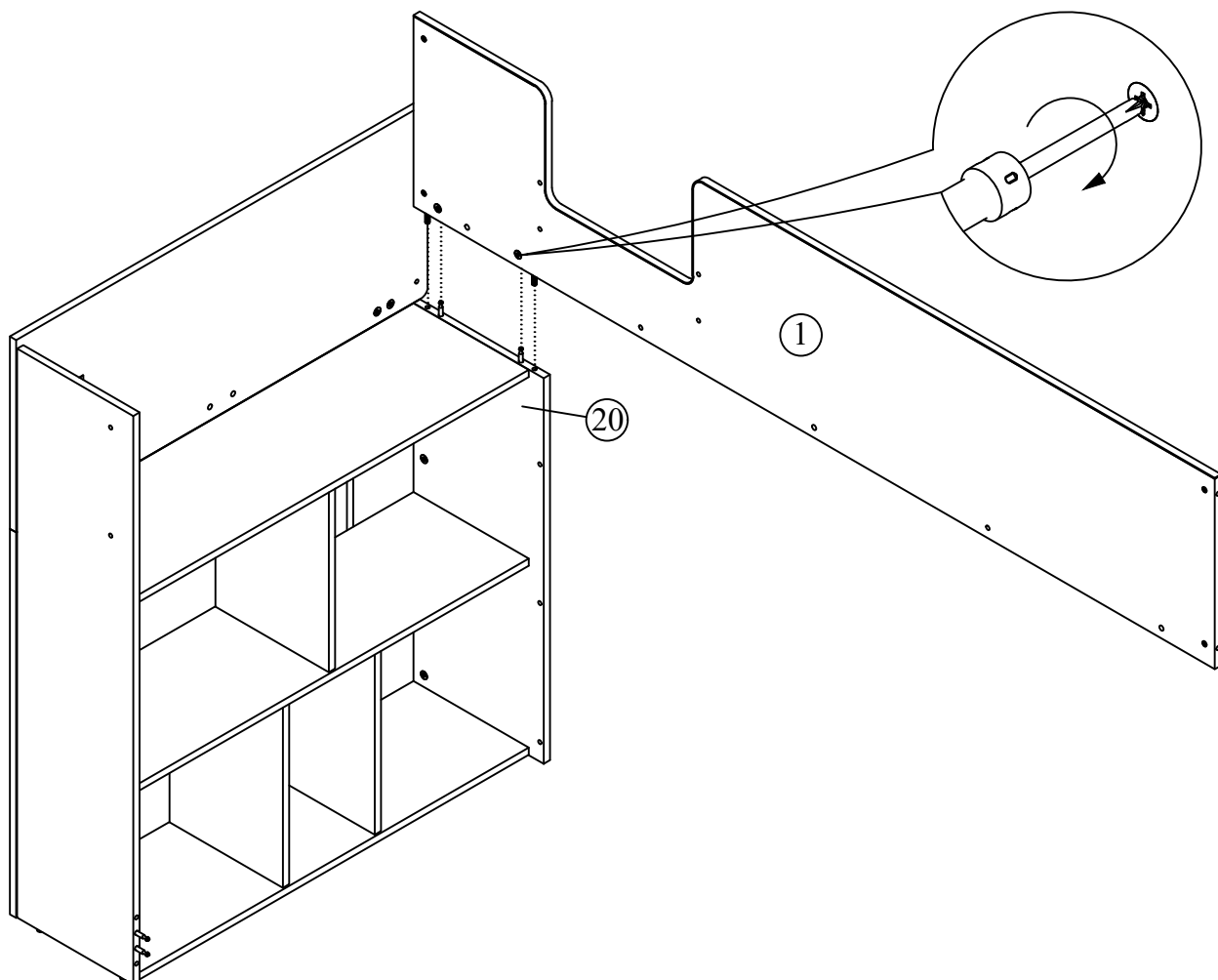
Model : Marley

32

A		6
---	---	---






33

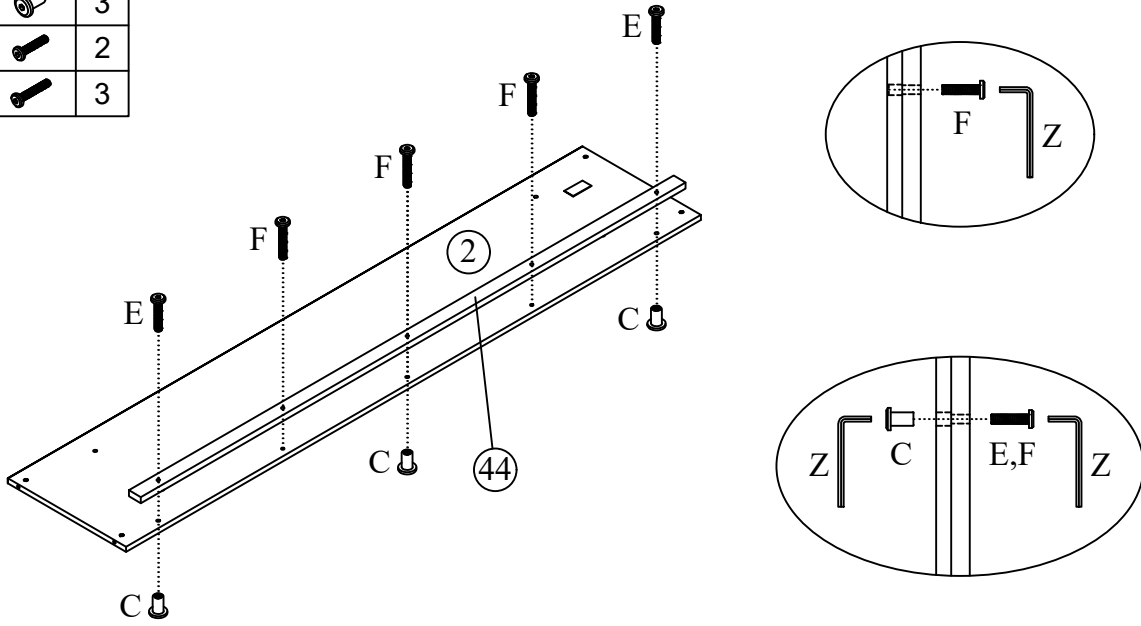


Guide To Assembly

Model : Marley

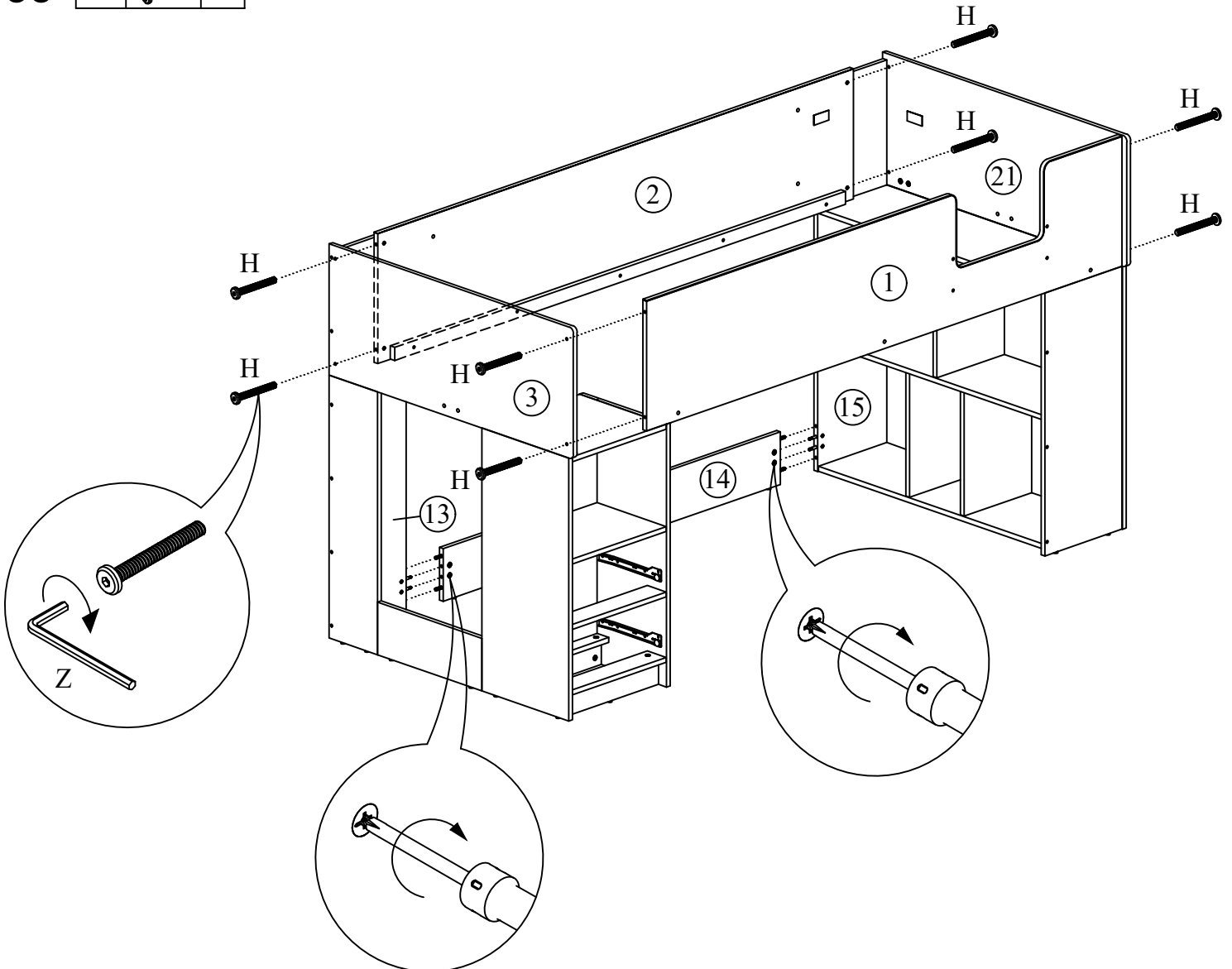
34

C		3
E		2
F		3



35



H		8
---	---	---

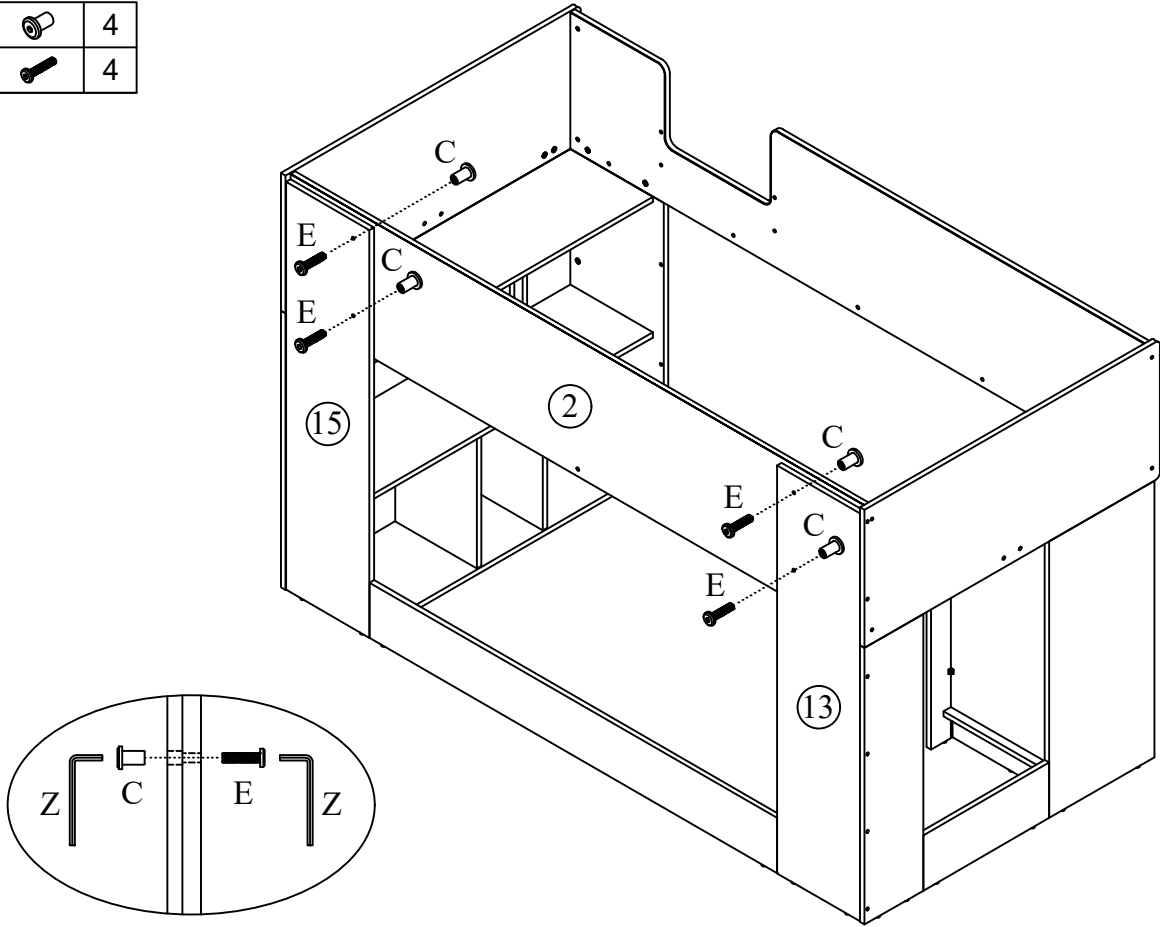


Guide To Assembly



Model : Marley

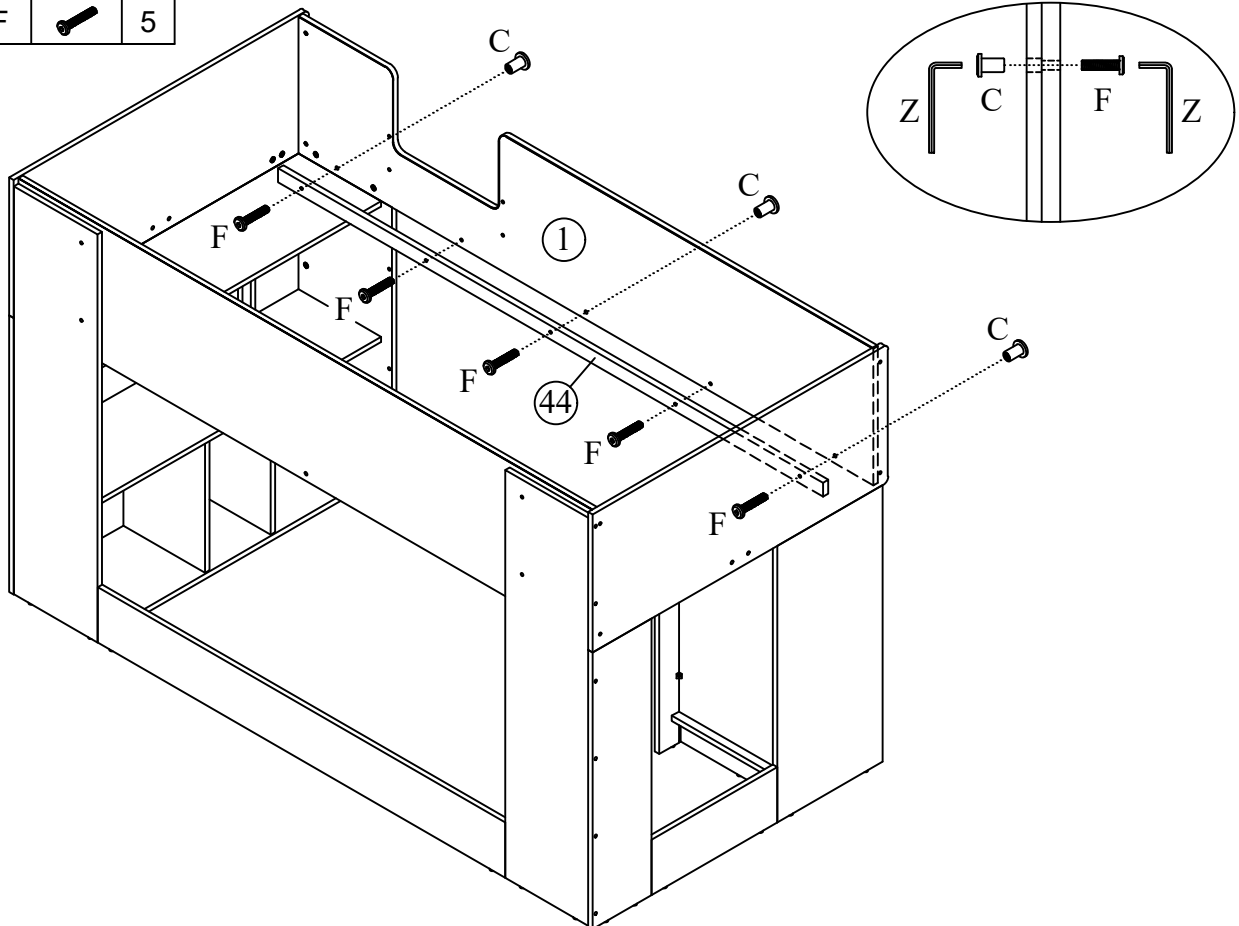
36

C		4
E		4



37



C		3
F		5

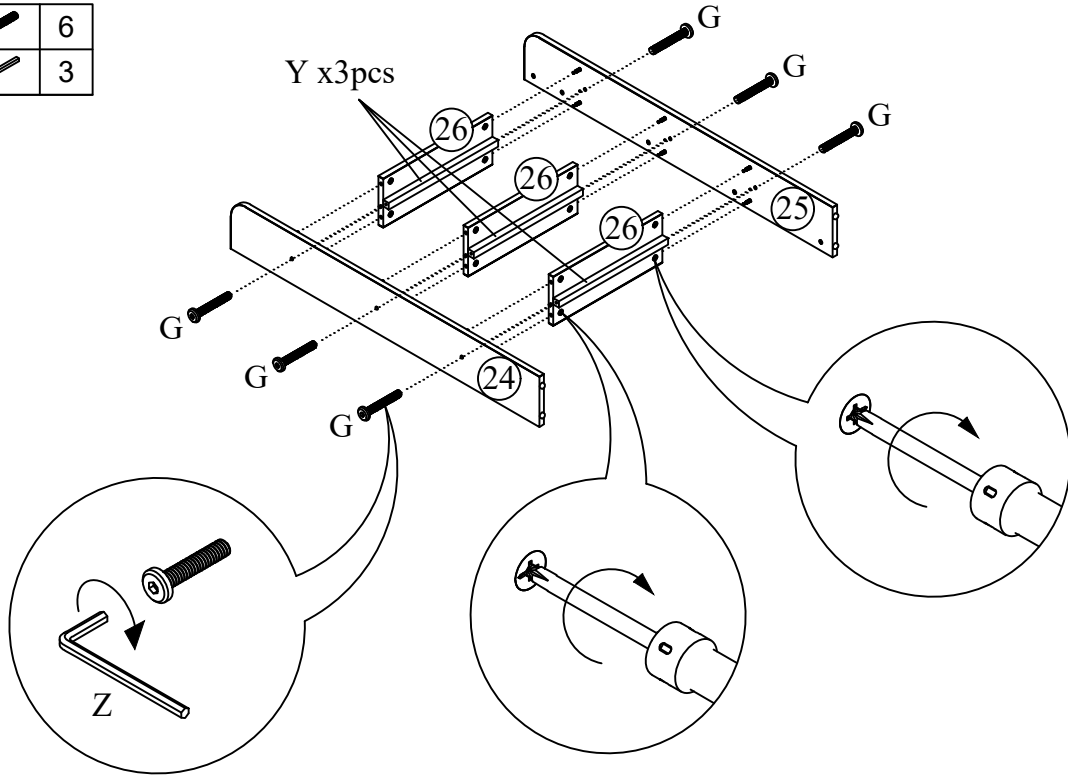


Guide To Assembly


Model : Marley

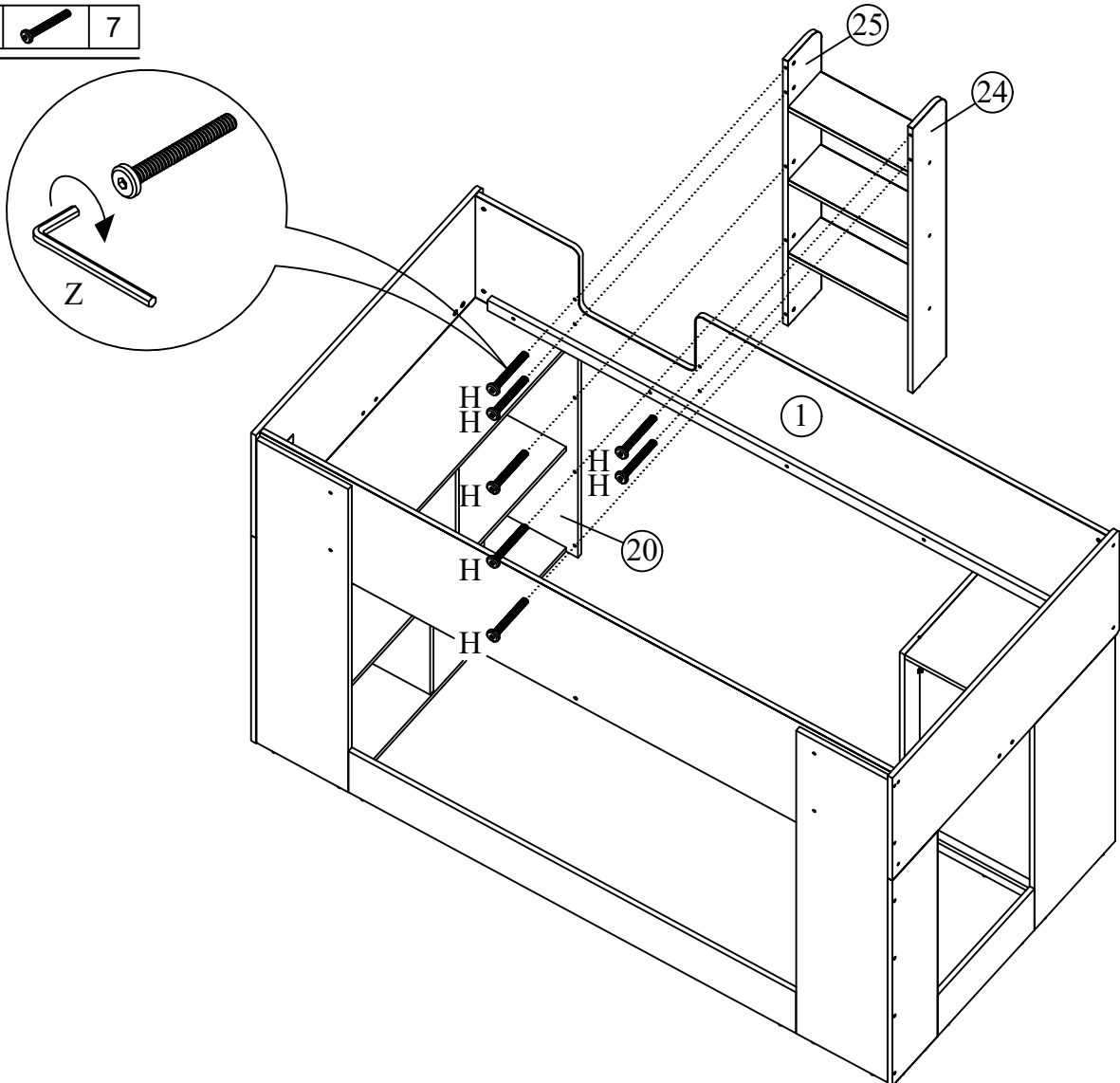
38

G		6
Y		3



39




H		7
---	---	---

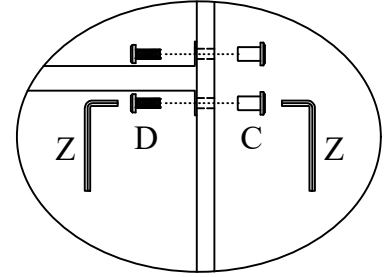
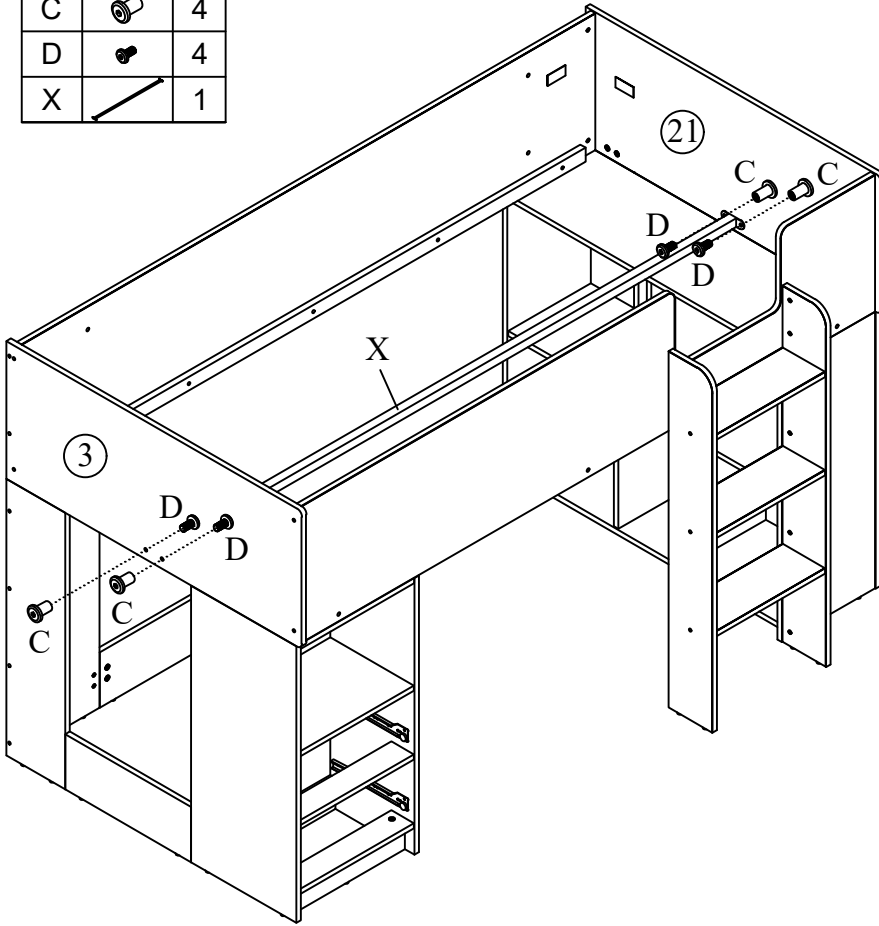


Guide To Assembly

Model : Marley

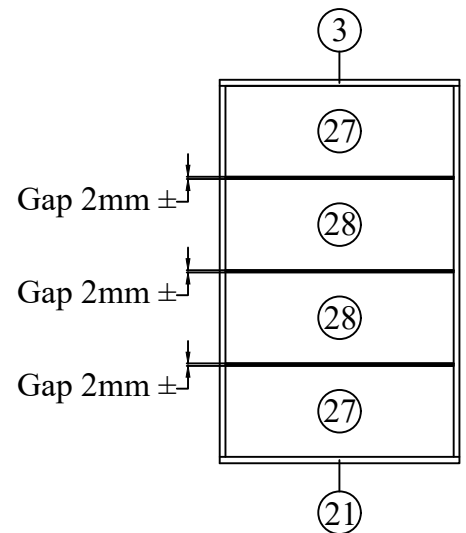
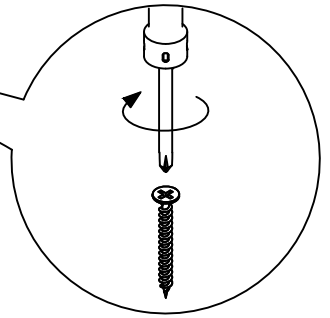
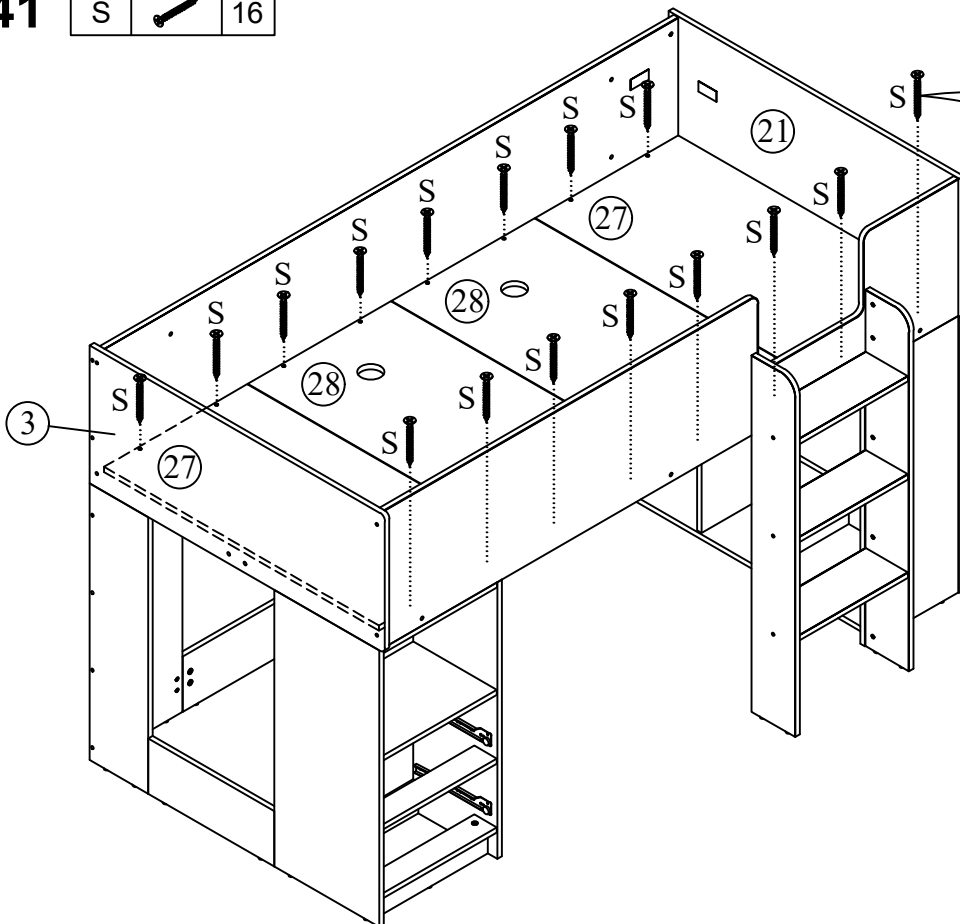
40

C		4
D		4
X		1



41

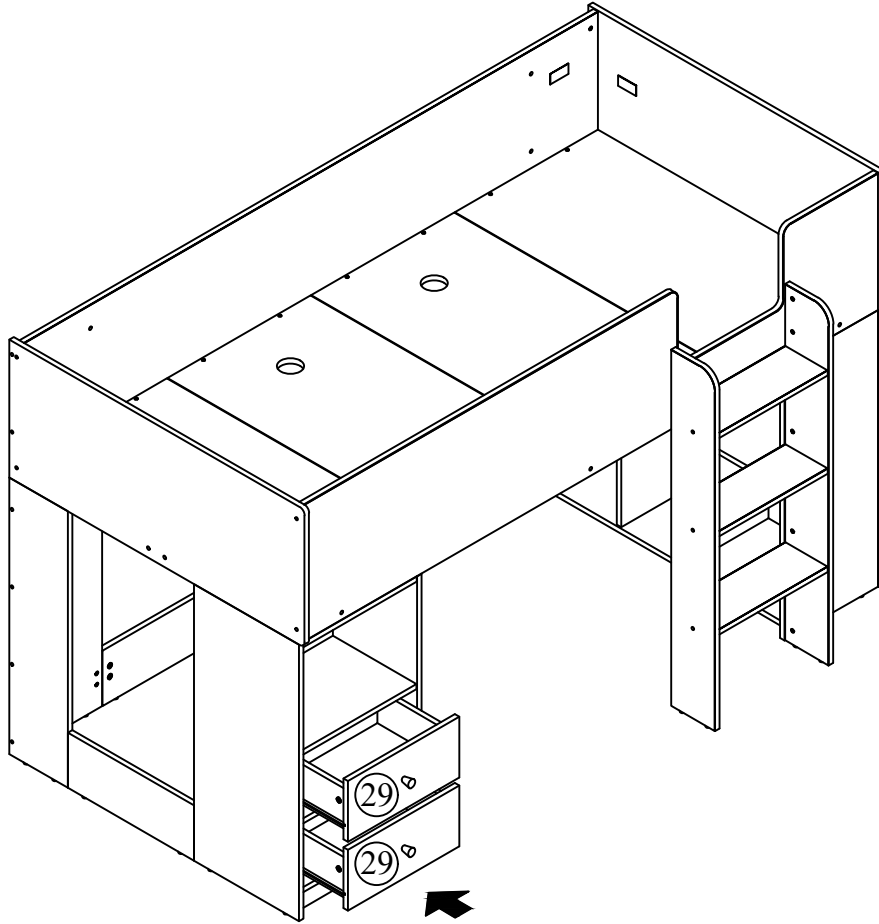
S		16
---	---	----



Guide To Assembly

Model : Marley

42



43

