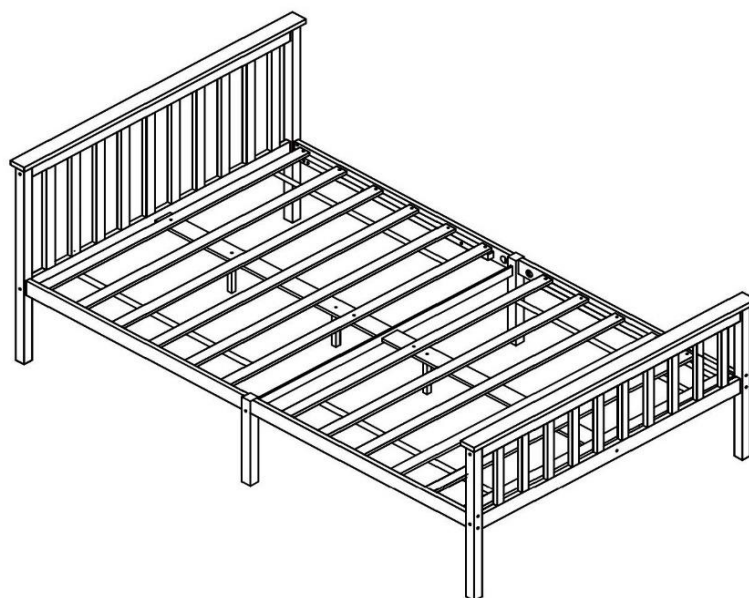
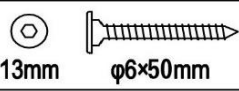


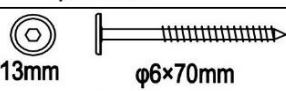
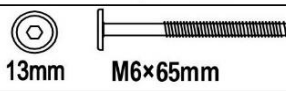

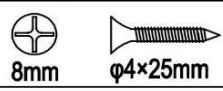



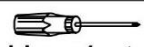




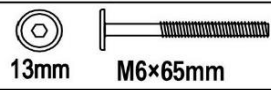

# ASSEMBLY INSTRUCTIONS

## Marnel King Wooden Bed In A Box ( 5ft )

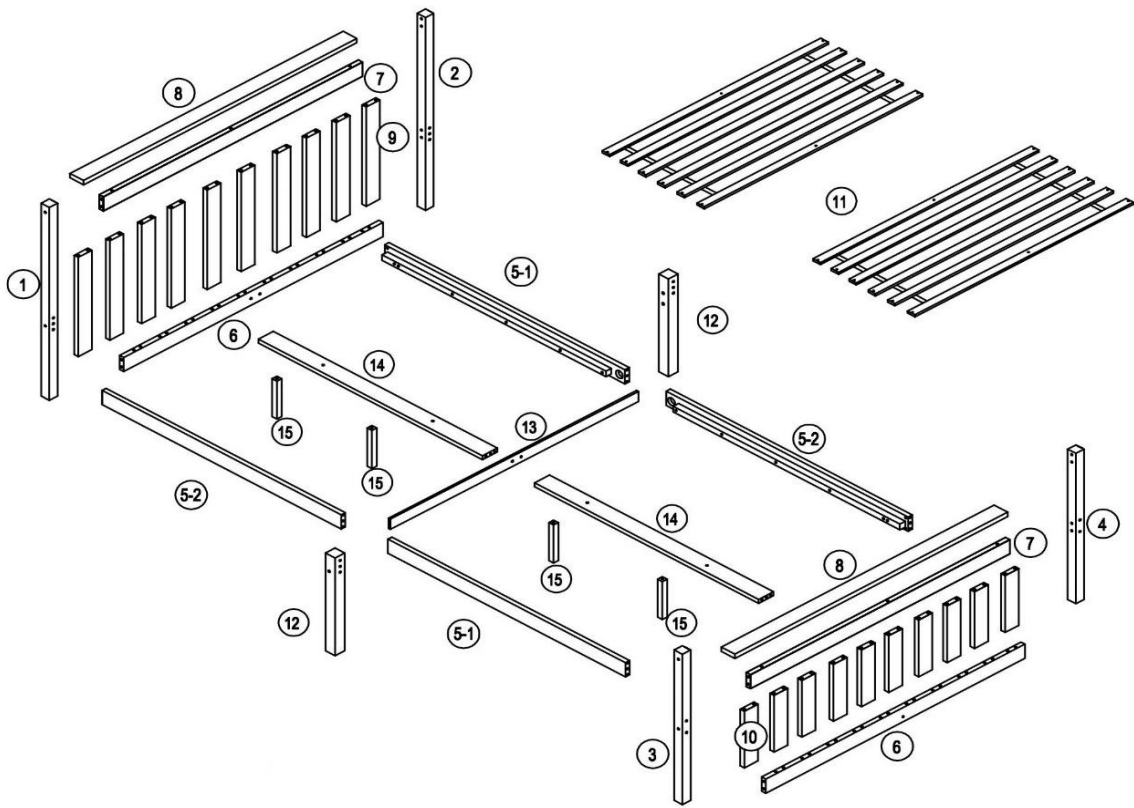


### HARDWARE

|   |   |    |
|---|---|----|
| A | <br>13mm $\phi 6 \times 50\text{mm}$ | 4  |
| B |                                      | 8  |
| C | <br>$\phi 8 \times 30\text{mm}$      | 24 |
| D | <br>13mm $\phi 6 \times 70\text{mm}$ | 12 |
| E | <br>13mm      M6 $\times$ 65mm       | 8  |
| F | <br>$\phi 8 \times 60\text{mm}$      | 2  |
| G | <br>8mm $\phi 4 \times 25\text{mm}$  | 28 |
| H |                                      | 1  |

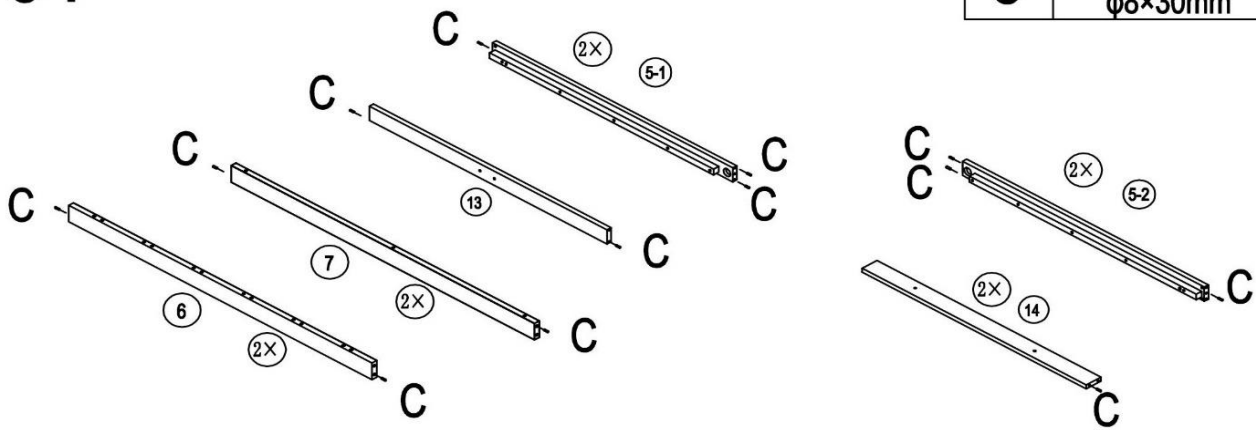
|   |  |    |
|---|--|----|
| I | <br>Screw driver (not provided) | 1  |
| J | <br>M6 $\times$ 120mm            | 2  |
| K | <br>NUT M6                      | 4  |
| L |                                 | 4  |
| M | <br>Spanner                     | 2  |
| N | <br>13mm      M6 $\times$ 65mm   | 6  |
| O | <br>$\phi 6 \times 30\text{mm}$ | 80 |

# COMPONENTS



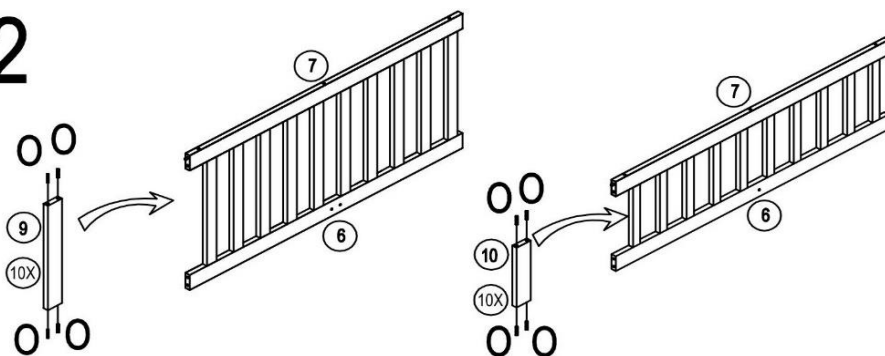
01

|   |  |    |
|---|--|----|
| C | <br>φ8×30mm | 24 |
|---|--|----|

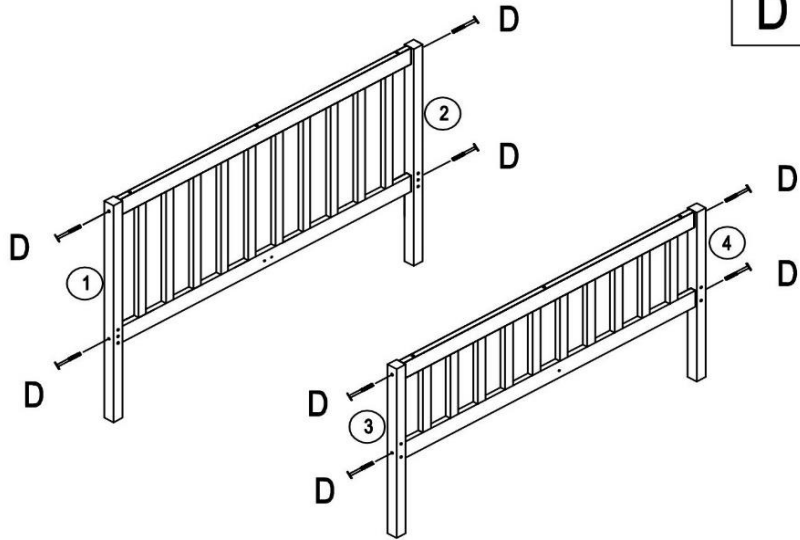



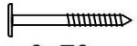
02

|   |  |    |
|---|--|----|
| O | <br>φ6×30mm | 80 |
|---|--|----|

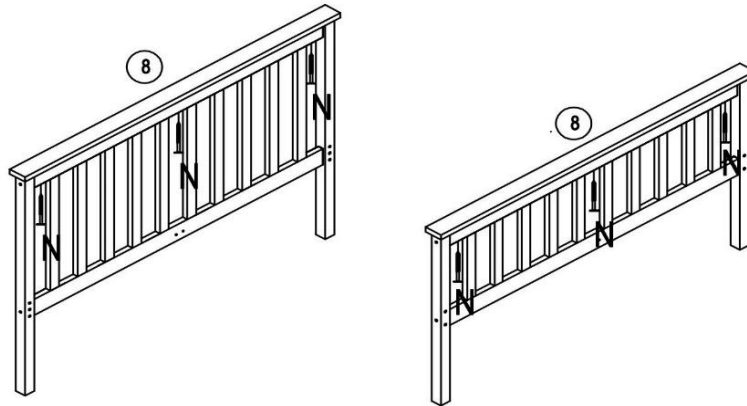


# 03



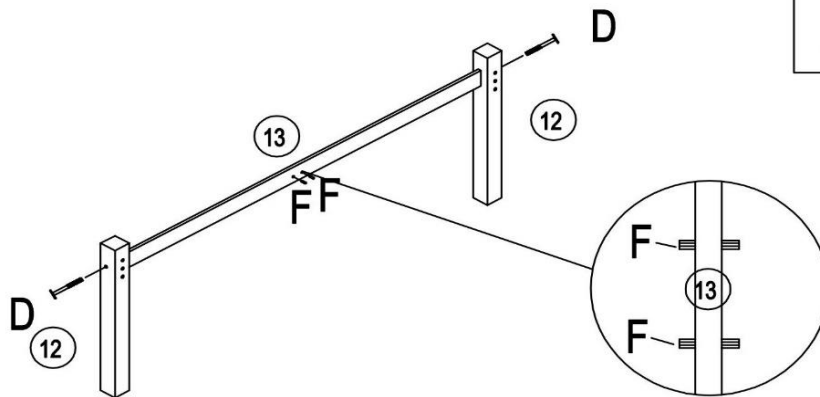
|   |   |   |   |
|---|---|---|---|
| D |  |  | 8 |
|   | 13mm  | φ6×70mm   |   |


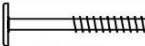

# 04










|   |   |   |   |
|---|---|---|---|
| N |  |  | 6 |
|   | 13mm  | M6×65mm   |   |

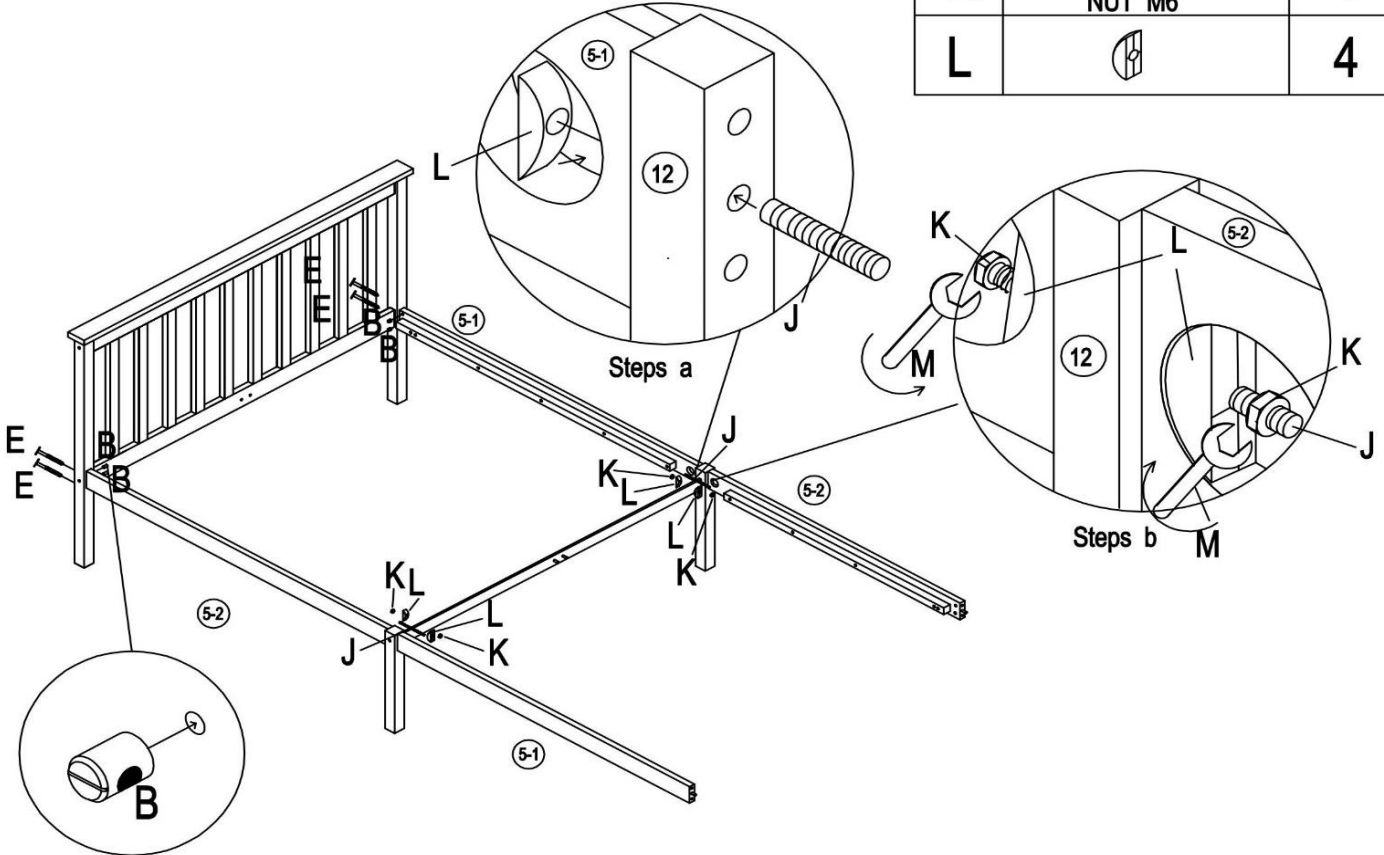
# 05



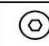
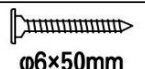


|   |   |   |   |
|---|---|---|---|
| D |  |  | 2 |
|   | 13mm  | φ6×70mm   |   |
| F |  | φ8×60mm   | 2 |

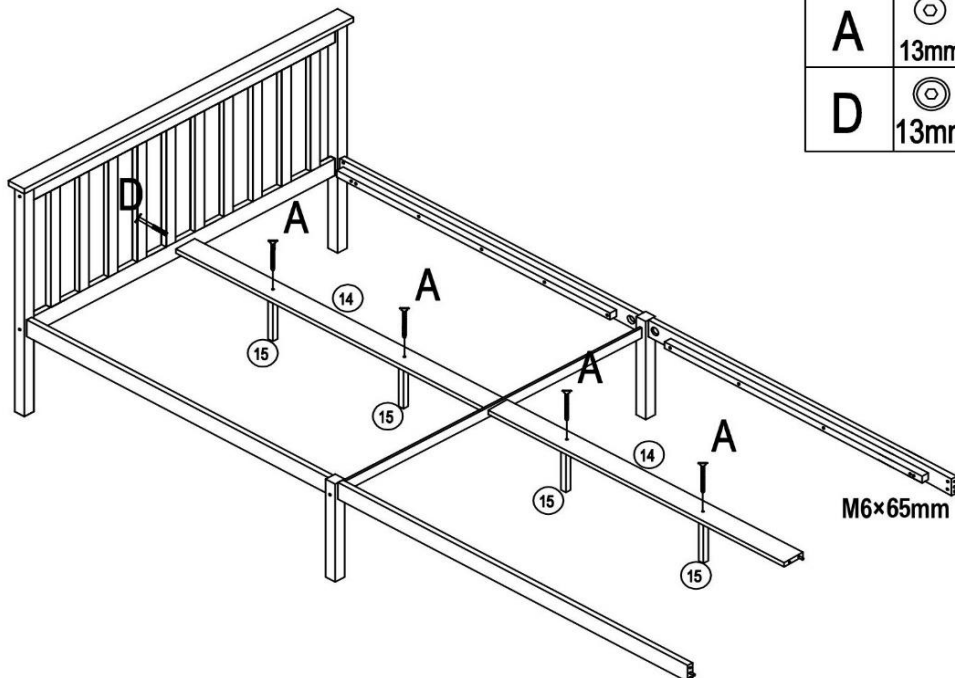
# 06

|   |  |   |   |  |   |
|---|--|---|---|--|---|
| M |  Spanner  | 2 | E |  13mm  M6×65mm | 4 |
| J |  M6×120mm | 2 | B |   | 4 |
|   |  |   | K |  NUT M6   | 4 |
|   |  |   | L |   | 4 |


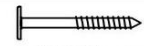





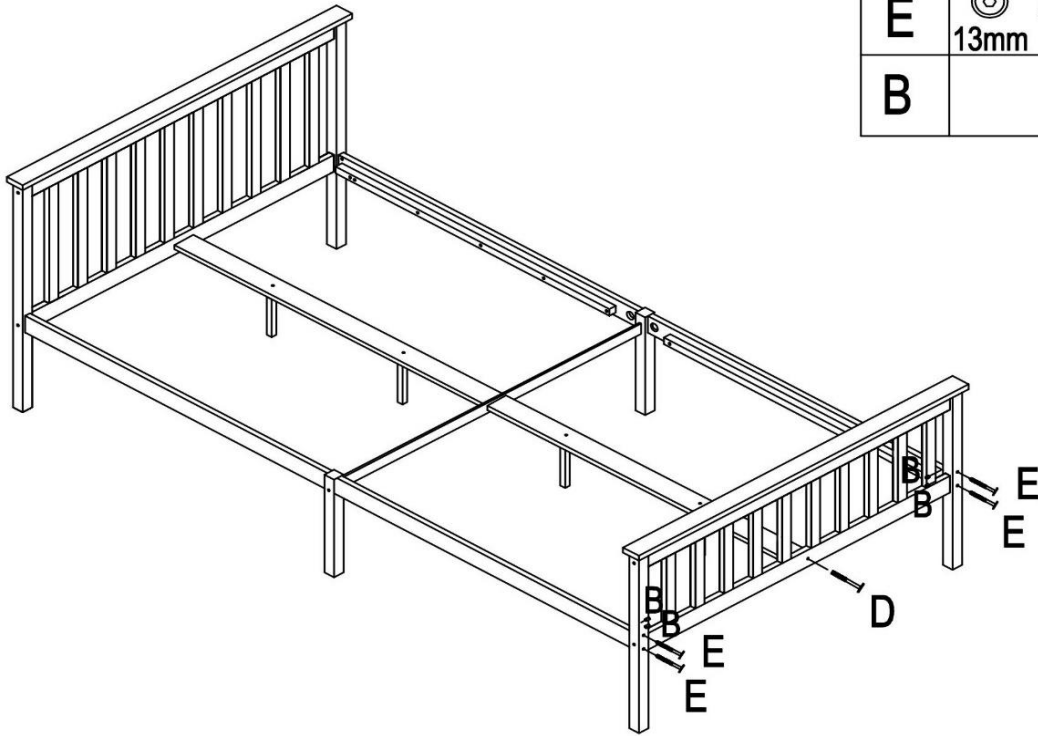
# 07

|   |  |   |
|---|--|---|
| A |  13mm  φ6×50mm | 4 |
| D |  13mm  φ6×70mm | 1 |



# 08

|   |   |                                  |   |
|---|---|----------------------------------|---|
| D |   | 13mm $\phi 6 \times 70\text{mm}$ | 1 |
| E |   | 13mm M6 $\times 65\text{mm}$     | 4 |
| B |    |                                  | 4 |



# 09

Assembly Complete

|   |   |                                 |    |
|---|---|---------------------------------|----|
| G |   | 8mm $\phi 4 \times 25\text{mm}$ | 28 |
|---|---|---------------------------------|----|

