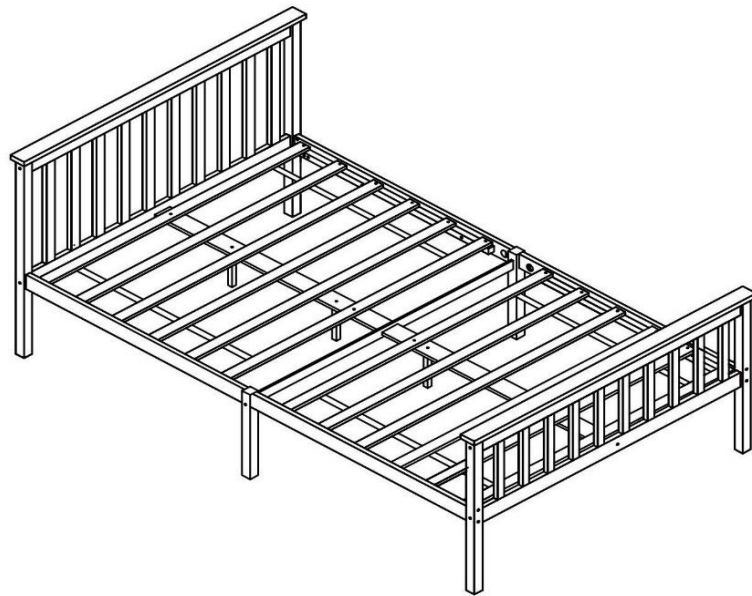



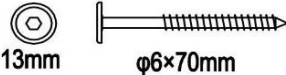


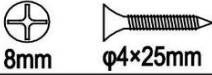










ASSEMBLY INSTRUCTIONS

Marnel Double Wooden Bed In A Box (4ft 6)

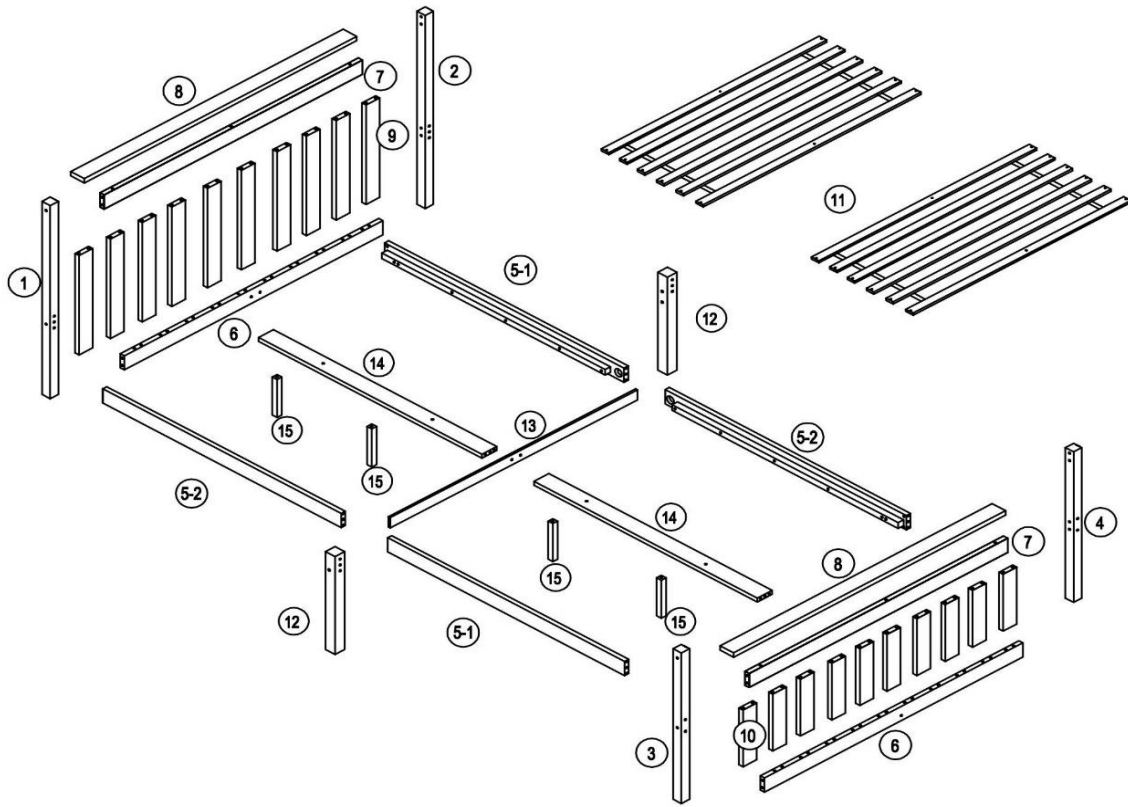


HARDWARE

A	 13mm $\phi 6 \times 50\text{mm}$	4
B		8
C	 $\phi 8 \times 30\text{mm}$	24
D	 13mm $\phi 6 \times 70\text{mm}$	12
E	 13mm M6x65mm	8
F	 $\phi 8 \times 60\text{mm}$	2
G	 8mm $\phi 4 \times 25\text{mm}$	28
H		1

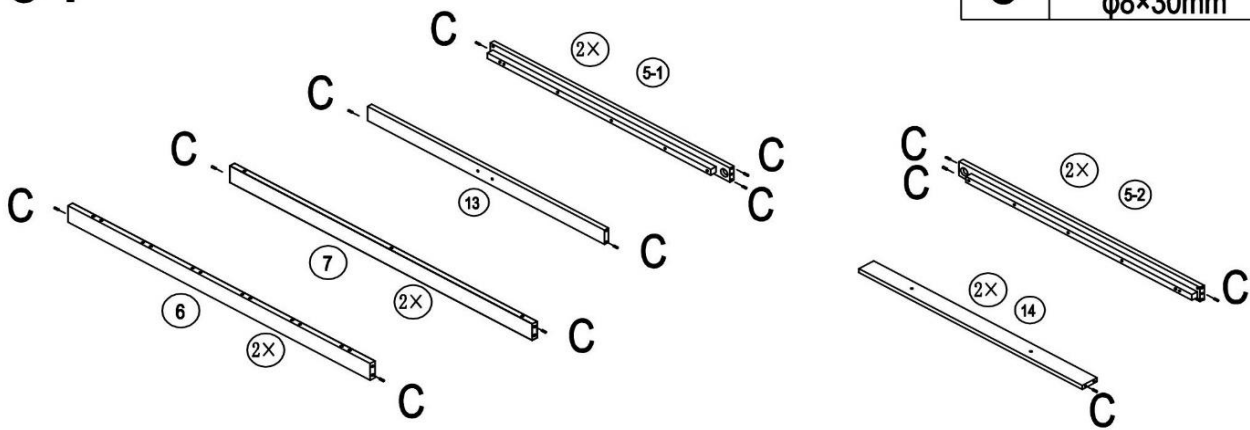
I	 Screw driver (not provided)	1
J	 M6x120mm	2
K	 NUT M6	4
L		4
M	 Spanner	2
N	 13mm M6x65mm	6
O	 $\phi 6 \times 30\text{mm}$	80

COMPONENTS



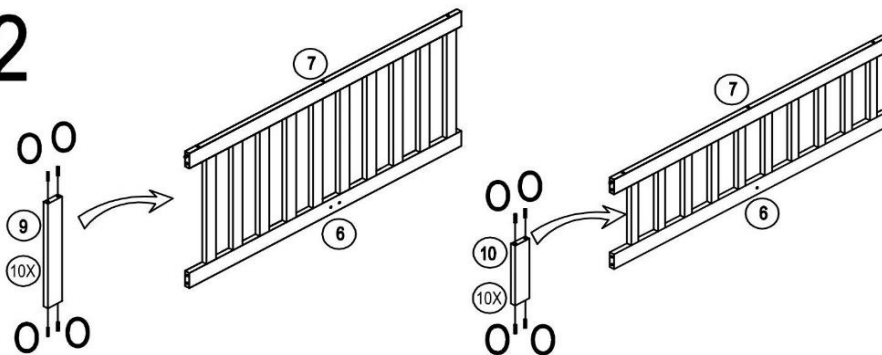
01

C	 φ8×30mm	24
---	--	----




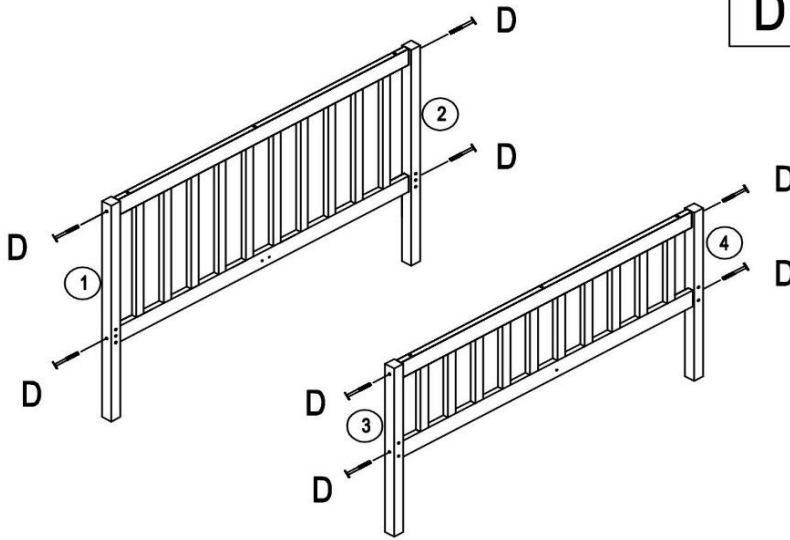
02

O	 φ6×30mm	80
---	--	----



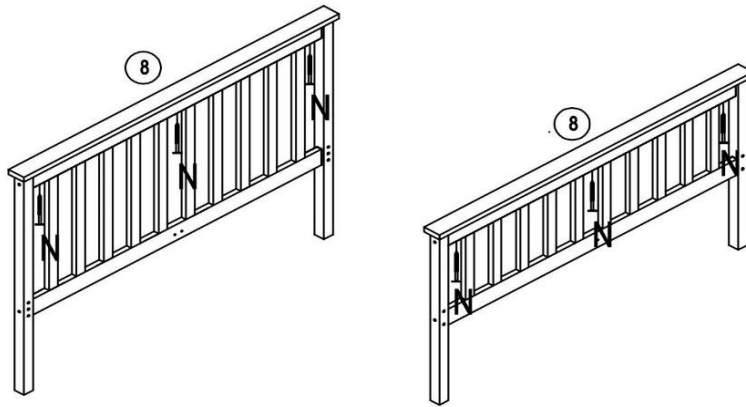
03

D		13mm $\phi 6 \times 70\text{mm}$	8
---	---	----------------------------------	---





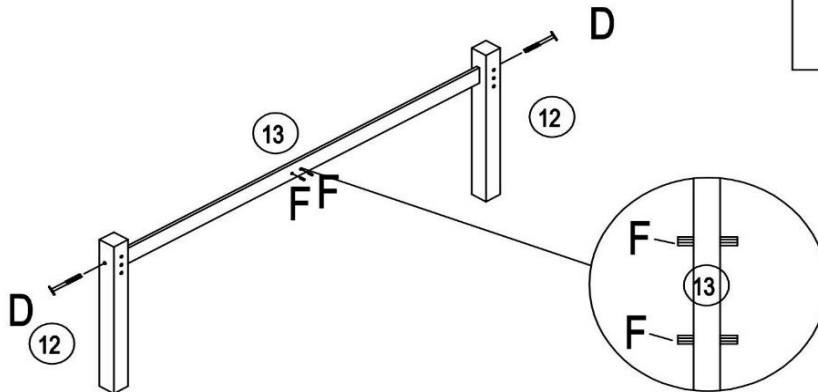
04

N		13mm M6 \times 65mm	6
---	---	-----------------------	---



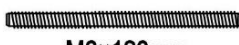





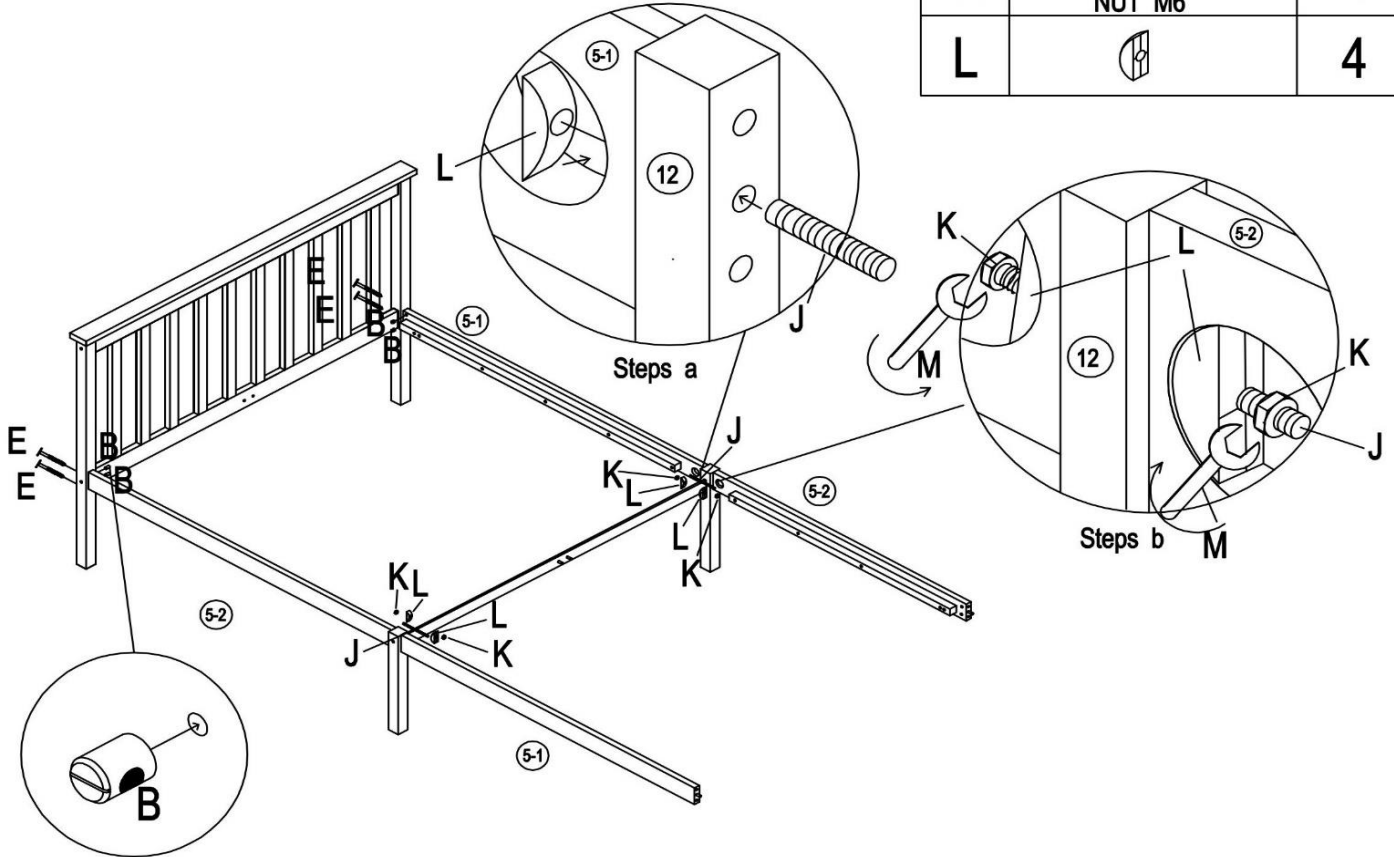
05

D		13mm $\phi 6 \times 70\text{mm}$	2
F		$\phi 8 \times 60\text{mm}$	2

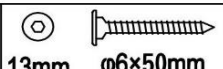
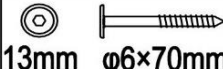


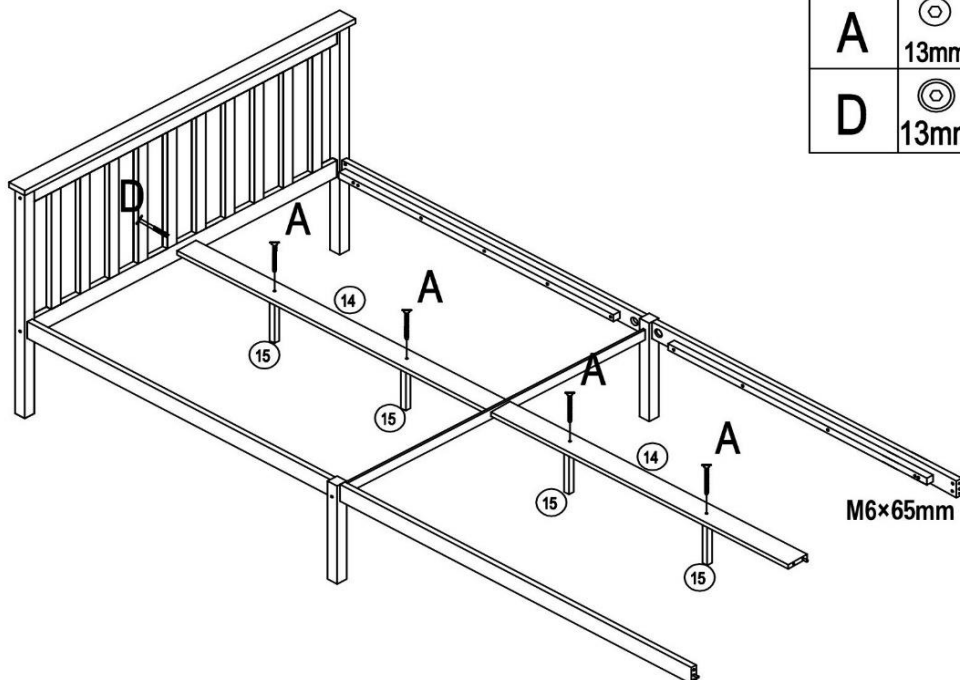
06

M	 Spanner	2	E	 13mm M6×65mm	4
J	 M6×120mm	2	B	 4	4
			K	 NUT M6	4
			L	 4	4


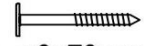





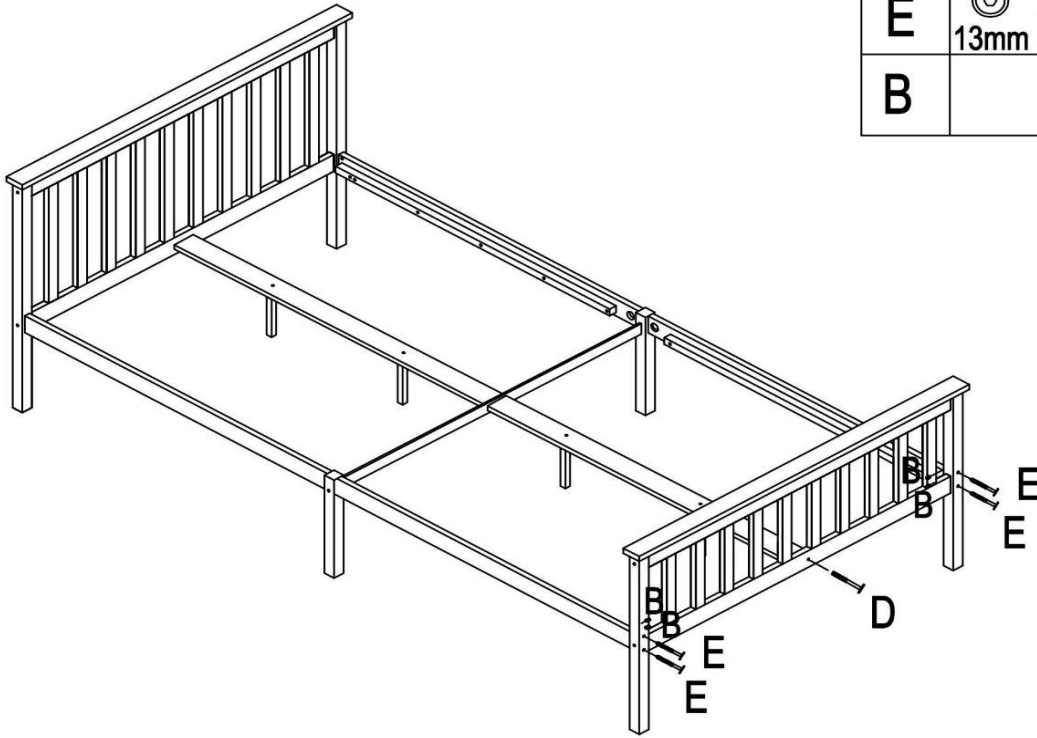
07

A	 13mm $\phi 6 \times 50 \text{mm}$	4
D	 13mm $\phi 6 \times 70 \text{mm}$	1



08

D	 	13mm $\phi 6 \times 70\text{mm}$	1
E	 	13mm M6 $\times 65\text{mm}$	4
B			4



09

G	 	8mm $\phi 4 \times 25\text{mm}$	28
---	---	---------------------------------	----

Assembly Complete

