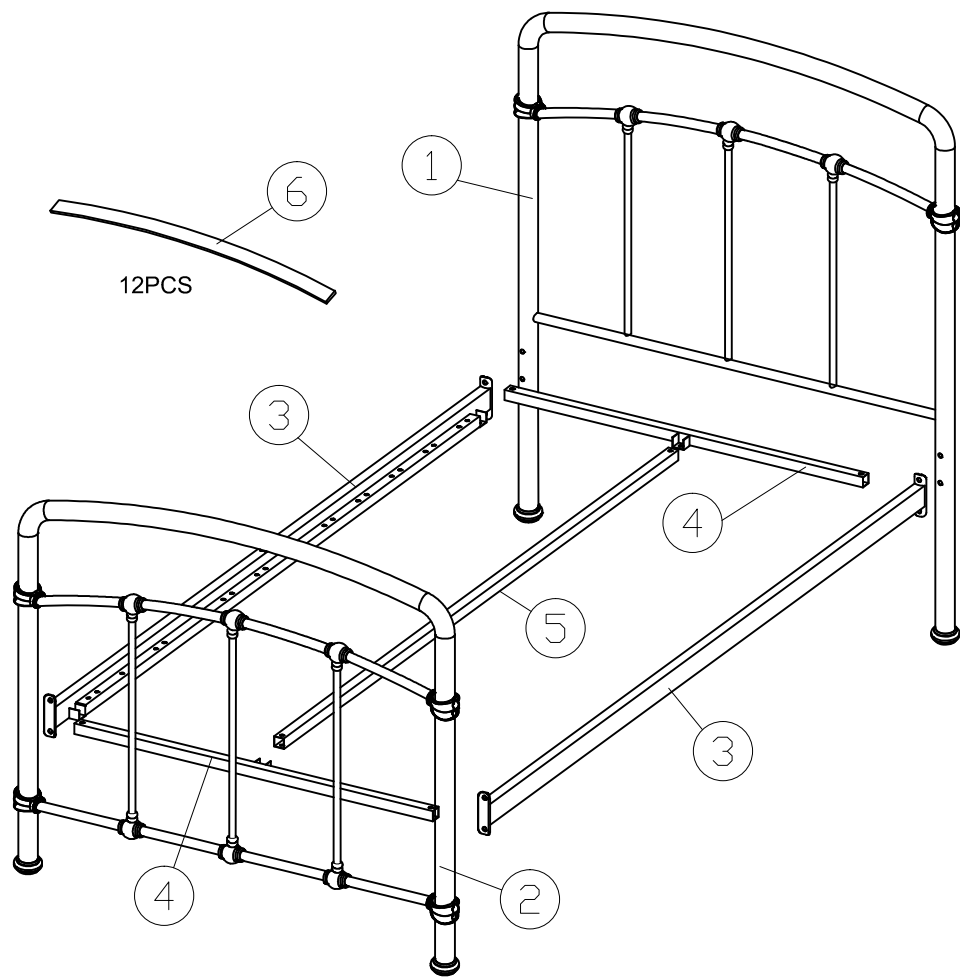
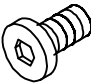
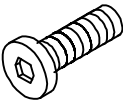

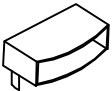

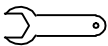


A (SINGLE BED)  
ASSEMBLY INSTRUCTION

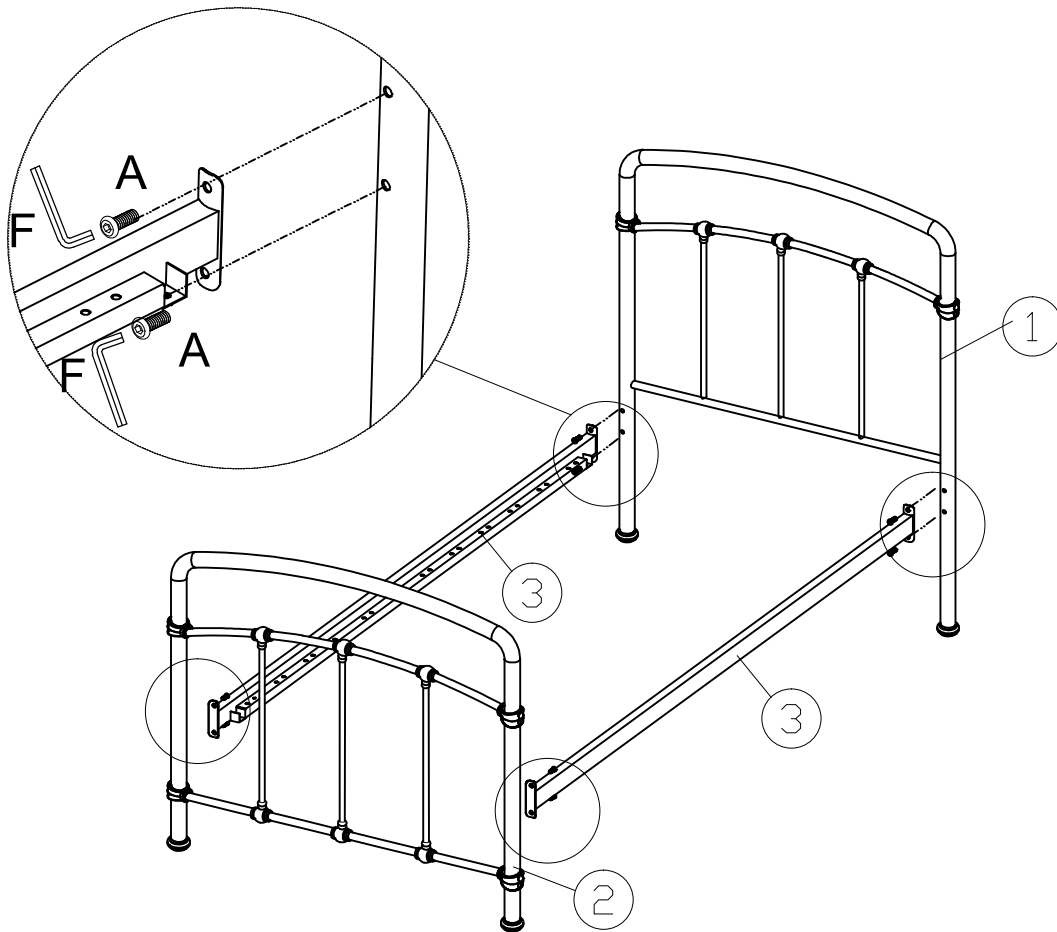


Remarks: Two adults are required to assemble this bed

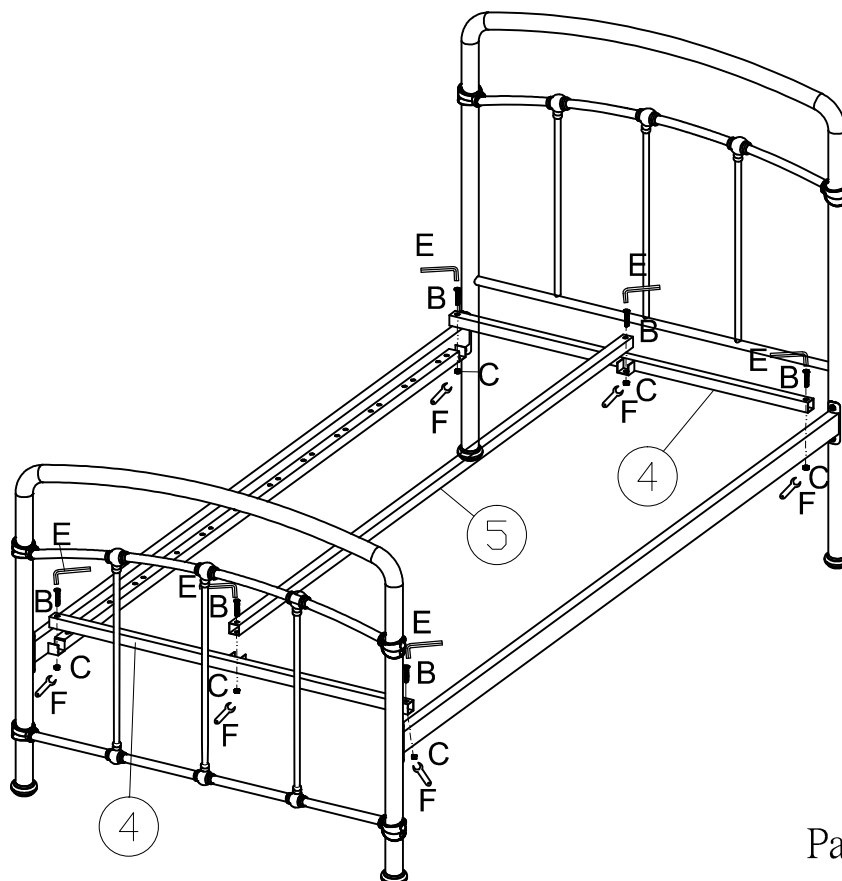


<p><b>A</b></p>  <p>M8*20MM 8PCS</p>	<p><b>B</b></p>  <p>M6*35MM 6PCS</p>	<p><b>C</b></p>  <p>M6 6PCS</p>
<p><b>D</b></p>  <p>24PCS</p>	<p><b>E</b></p>  <p>M4 1PCS</p>	<p><b>F</b></p>  <p>1PCS</p>

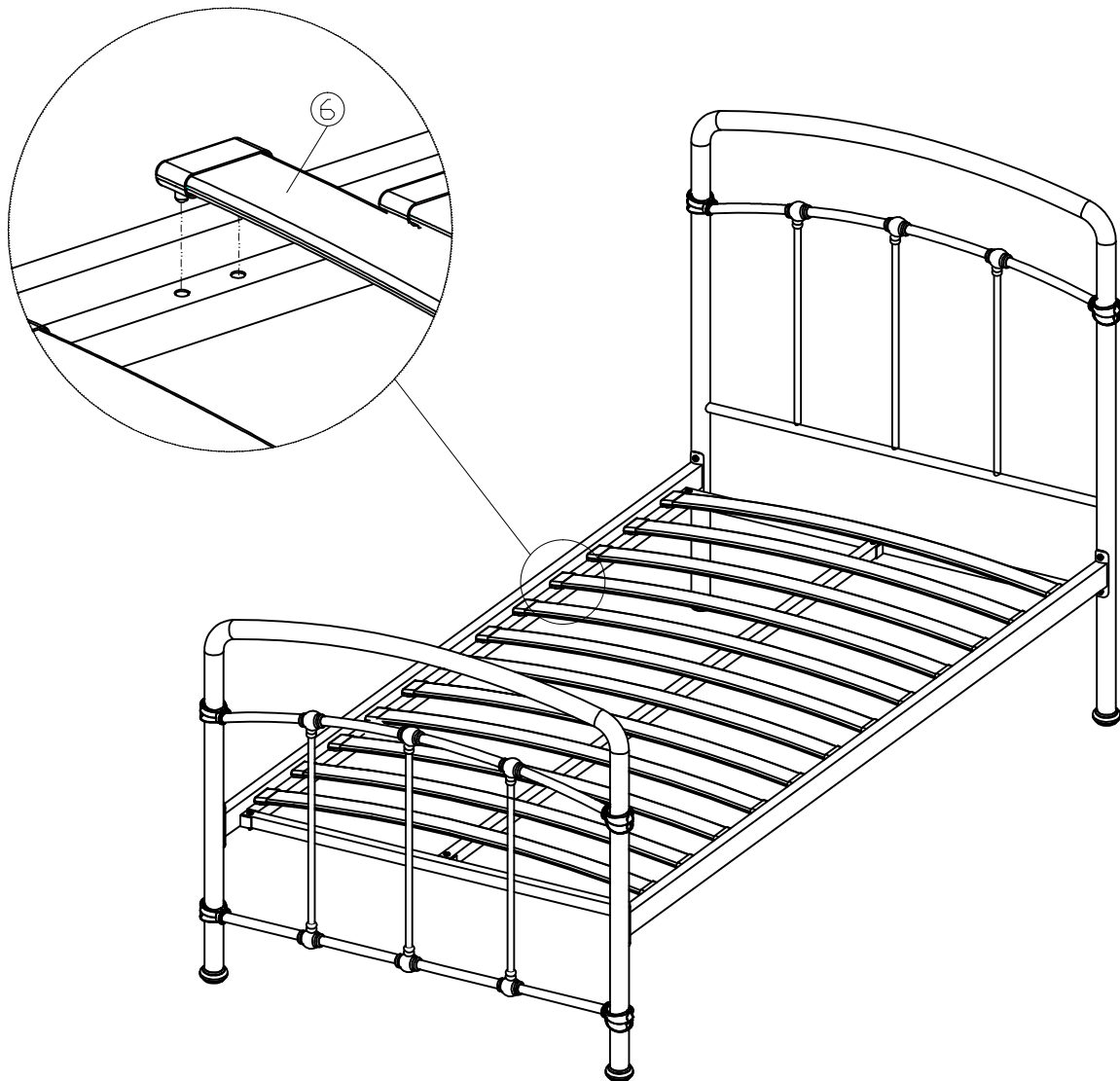
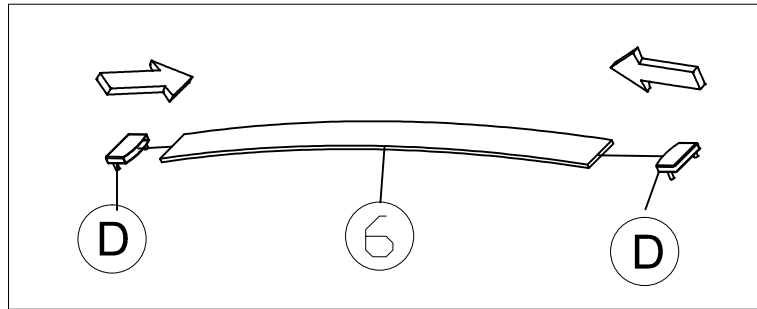
# STEP 1



# STEP 2

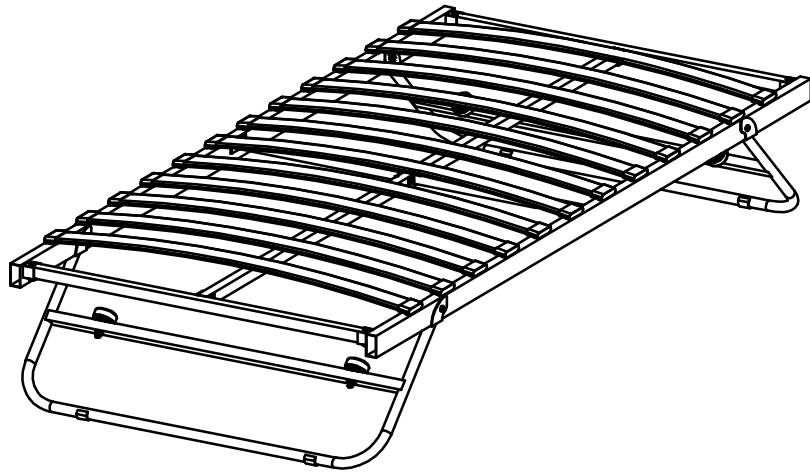


# STEP 3



# B (TRUDNLE BED)

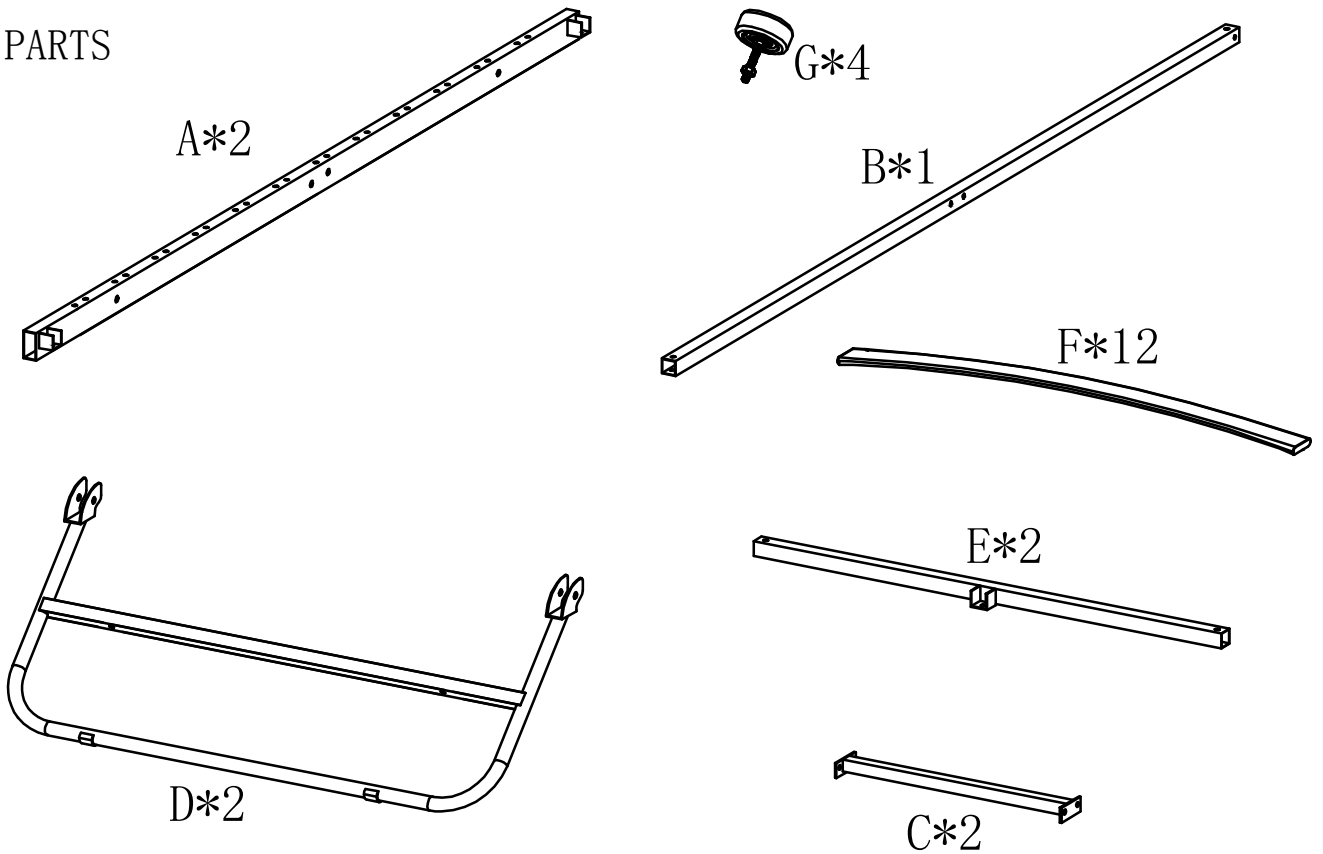
## ASSEMBLY INSTRUCTIONS







### HARDWARE

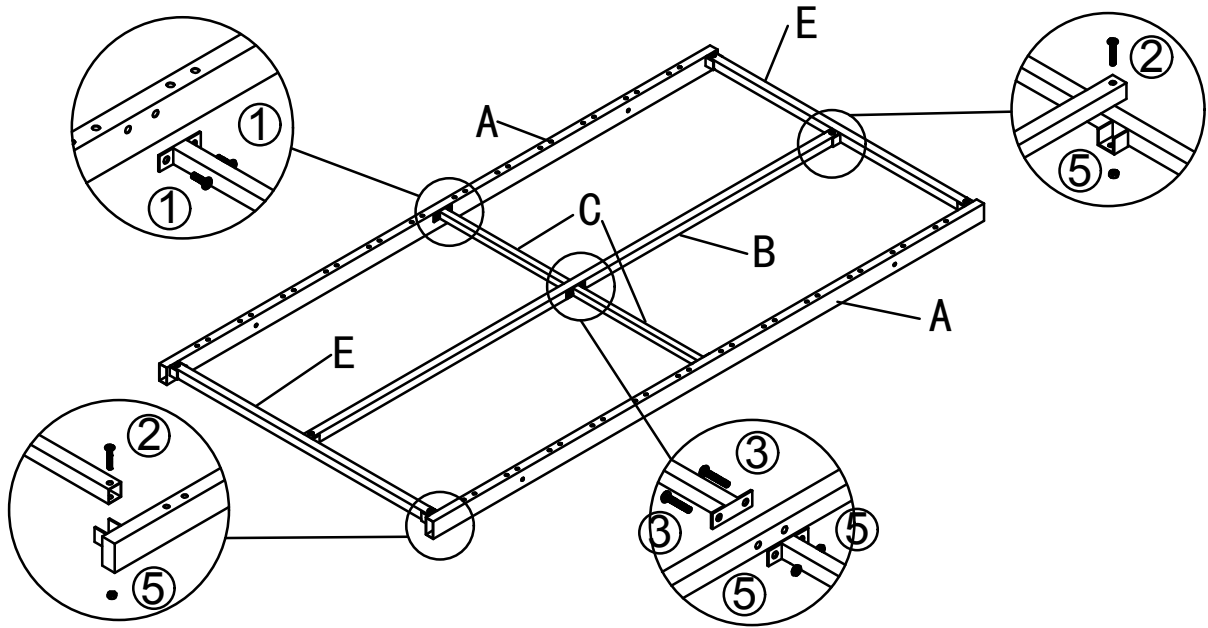
①	②	③	④	⑤	⑥	⑦				
M6*12 4 PCS	M6*35 6 PCS	M6*40 2 PCS	M8*50 4 PCS	M6 Nut 8 PCS	M8 Nut 4 PCS	Slat Cup 24 PCS	M4 Allen Key 1 PC	M5 Allen Key 1 PC	M4 Spanner 1 PC	M5 Spanner 1 PC

### PARTS





# Step 1

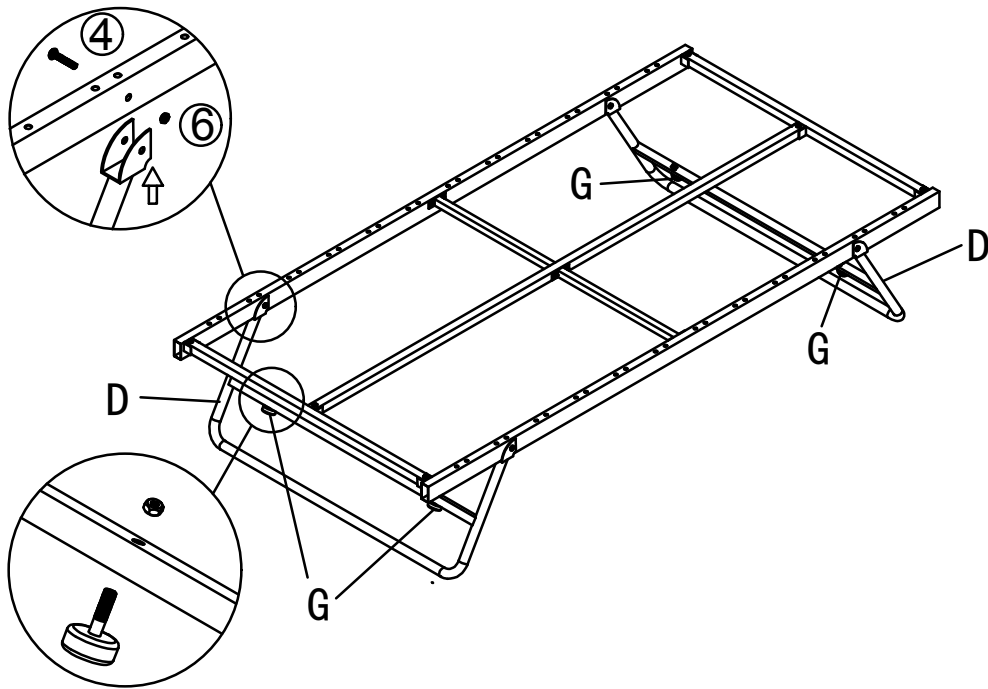
①	②	③	⑤
			
M6*12 4 PCS	M6*35 6 PCS	M6*40 2 PCS	M6 Nut 8 PCS



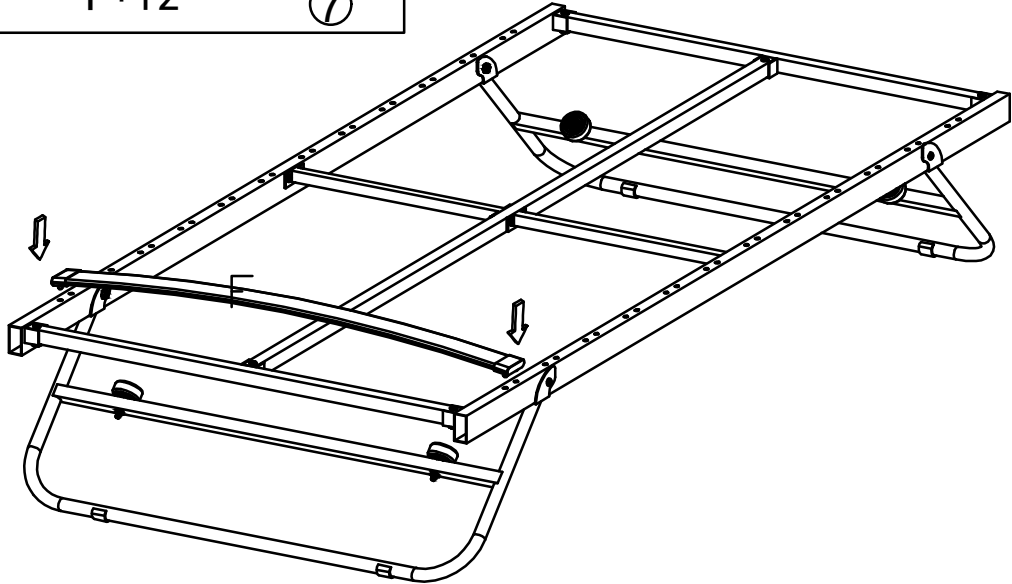
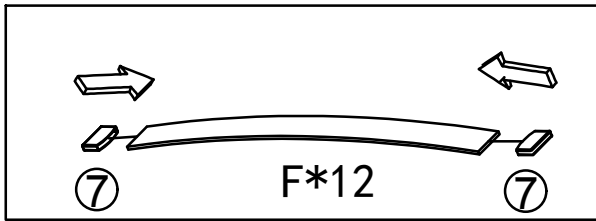
# Step 2

 G\*4

④	⑥
	
M8*50 4 PCS	M8 Nut 4 PCS



### Step 3



### Step 4

