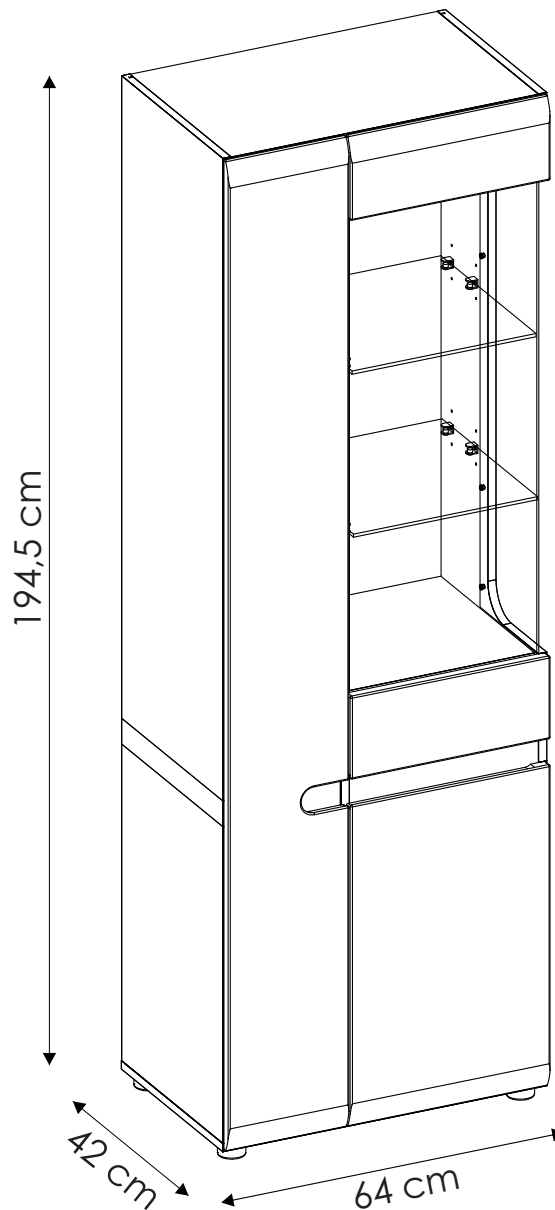


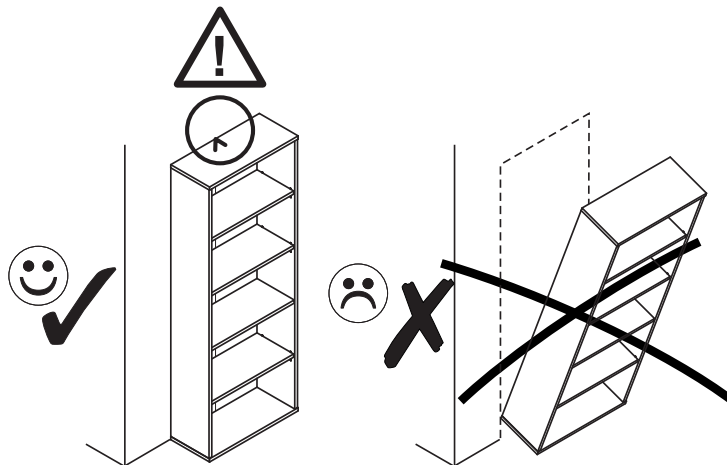
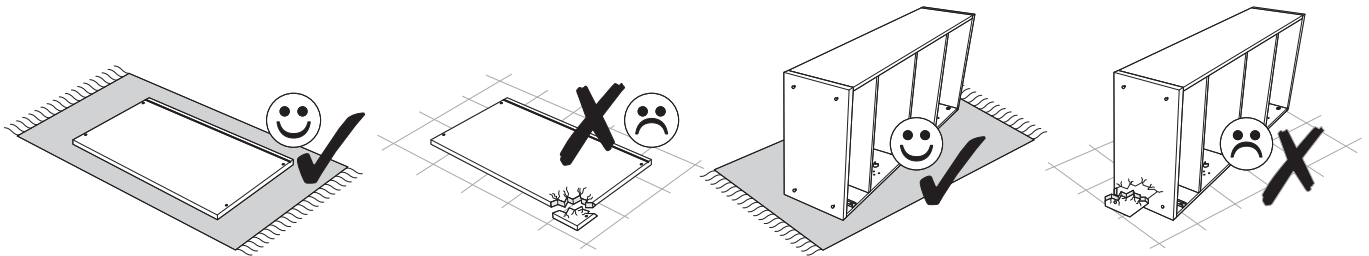
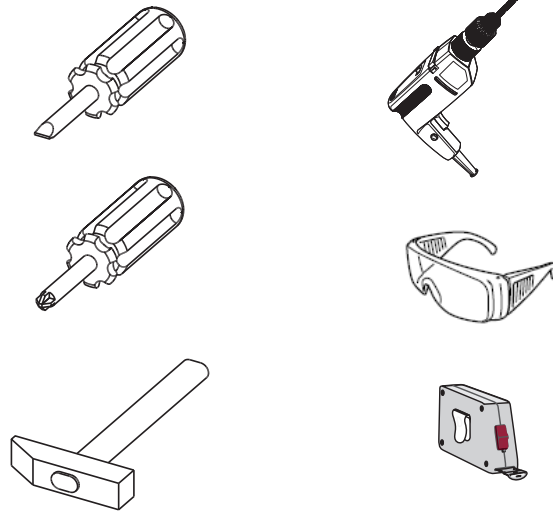
CHELSEA

Tall glazed narrow display unit LH display

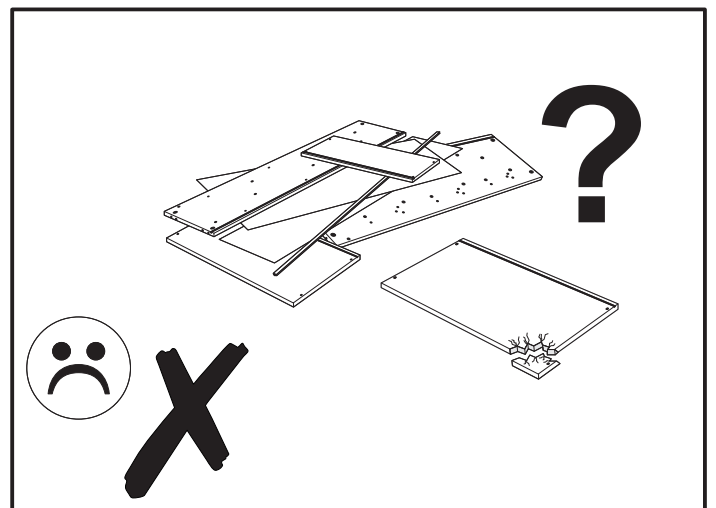
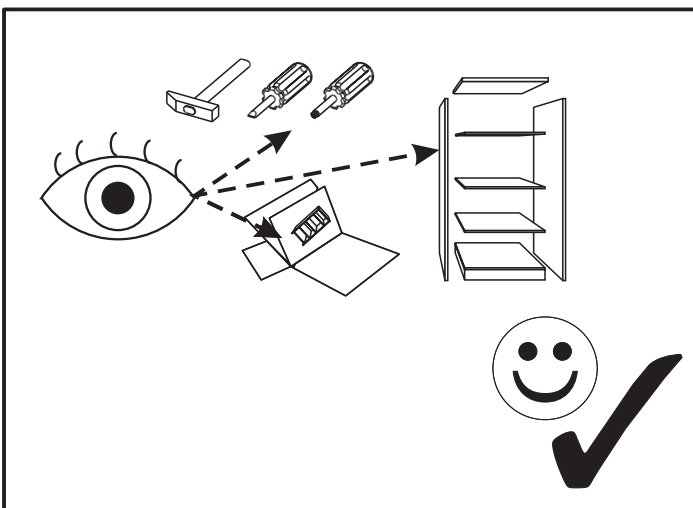
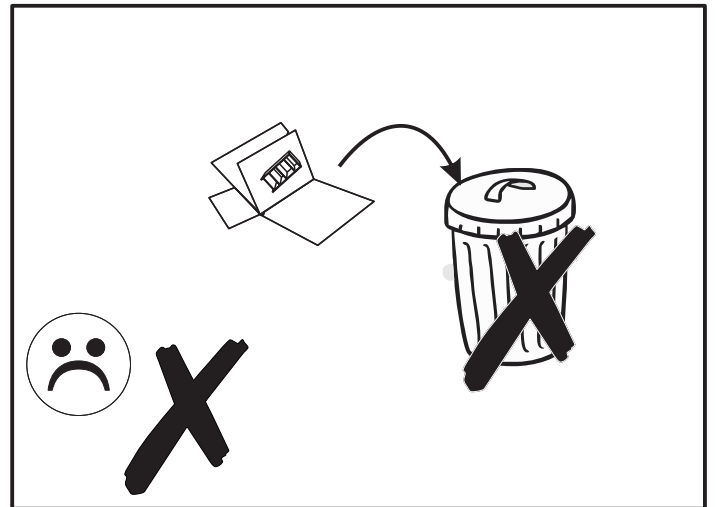
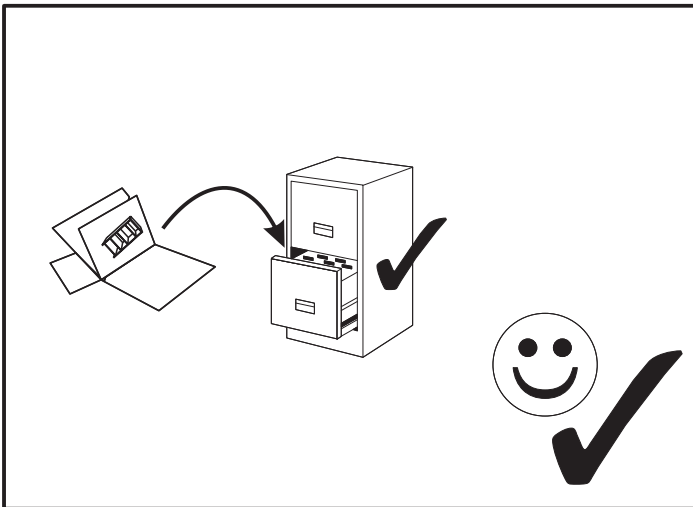
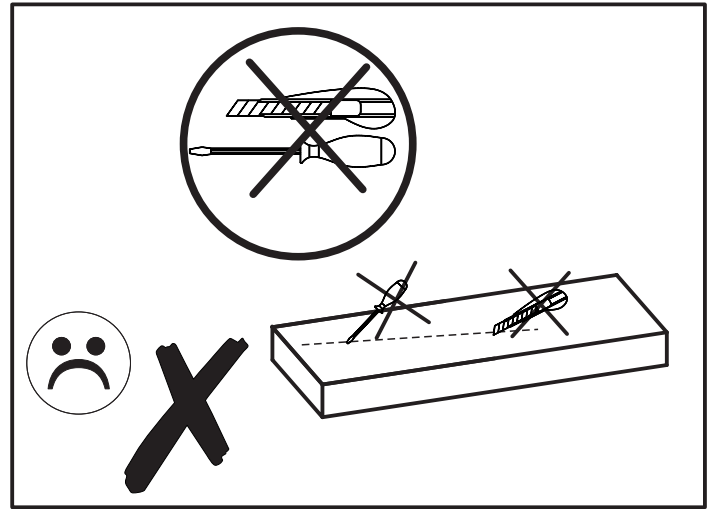
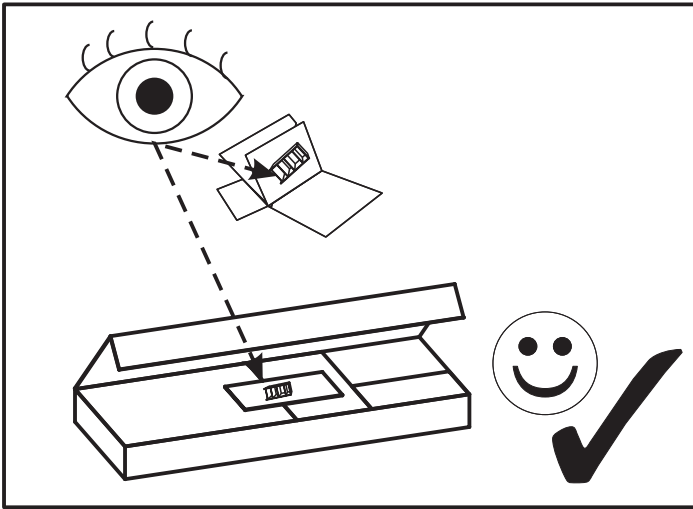
4020144P (4020244P RH display inverted)

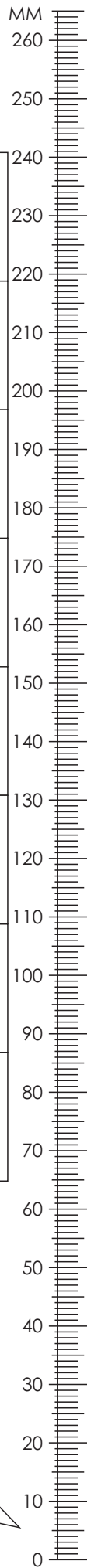




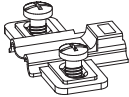
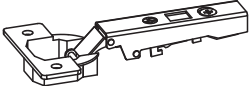



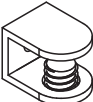




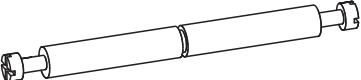





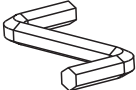






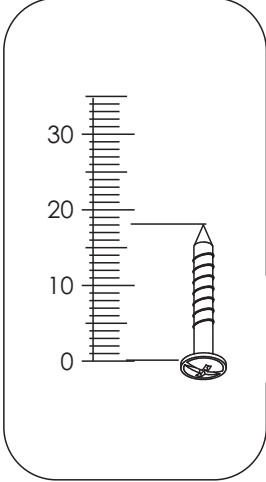
Please, read the assembly instruction carefully, before assembling.

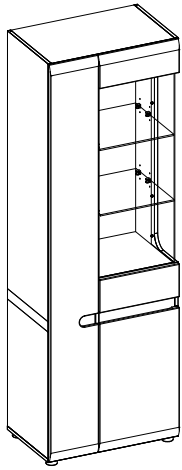


WARNING! To prevent this furniture from tripping over, fix it to the wall permanently. Fixing devices are not included since different wall materials require different types of fixing devices. Please make sure you chose the correct ones for your type of wall.

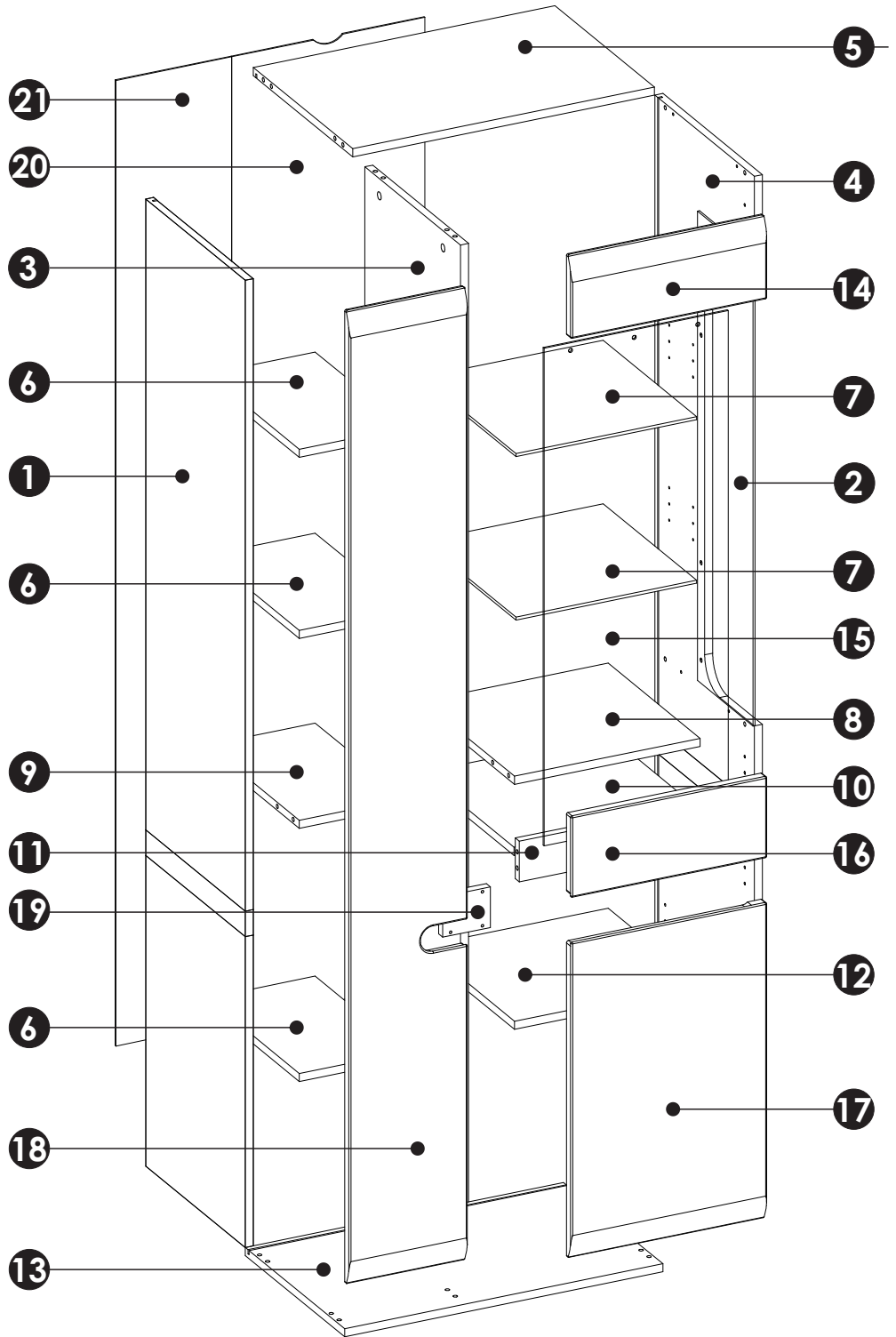


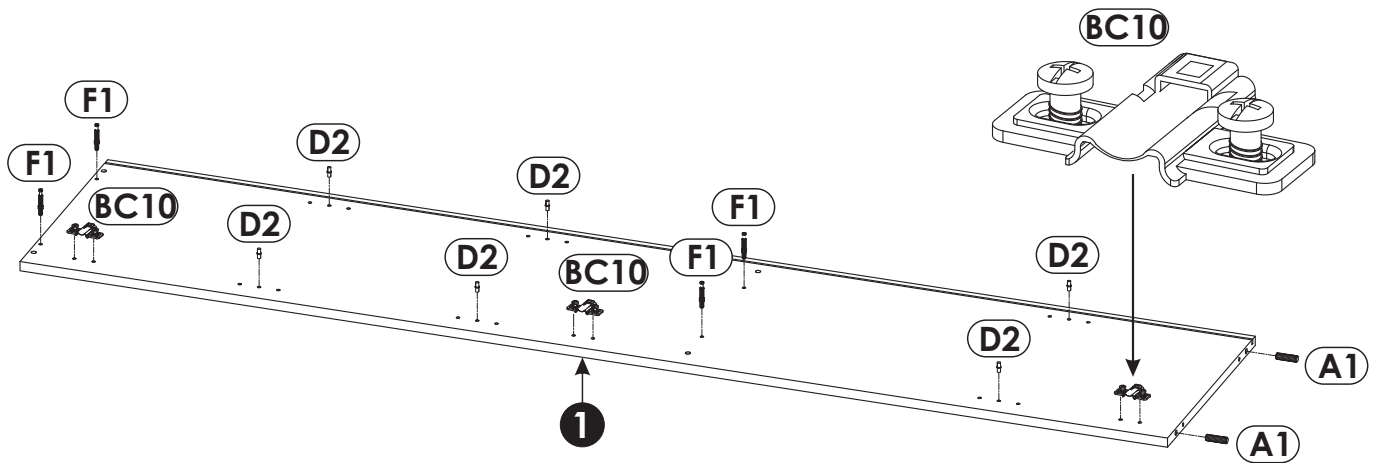
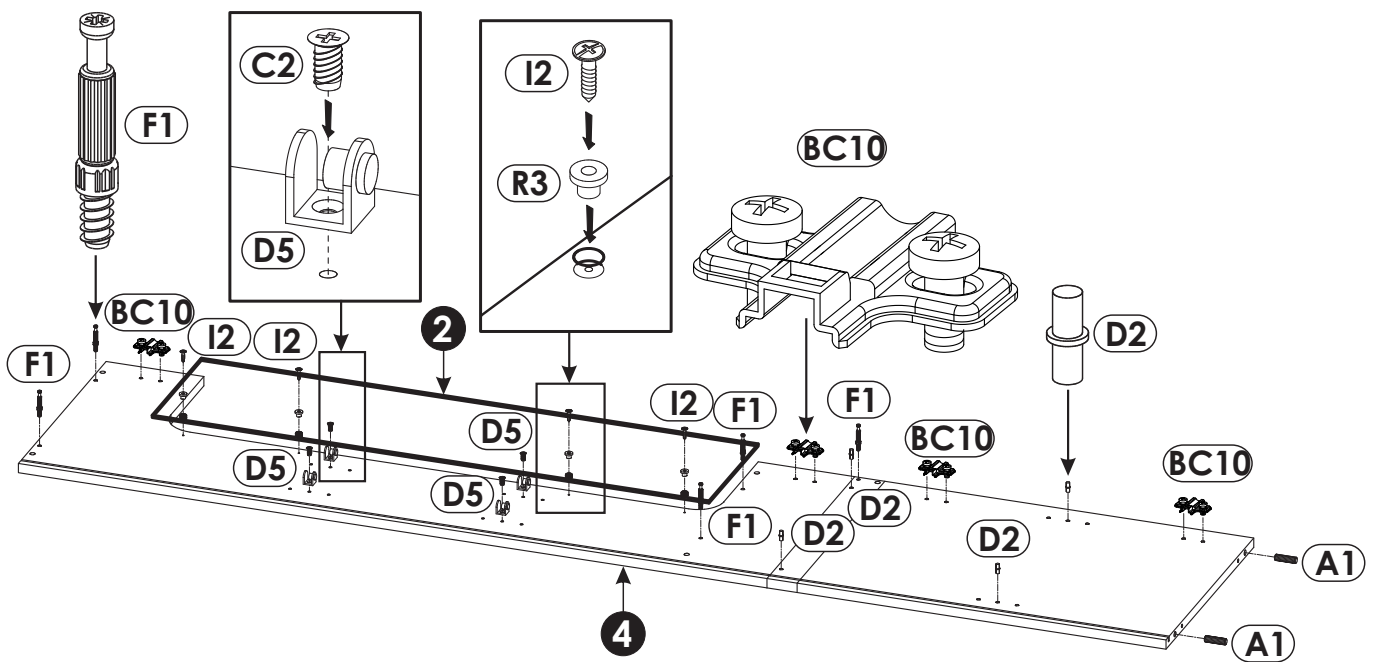
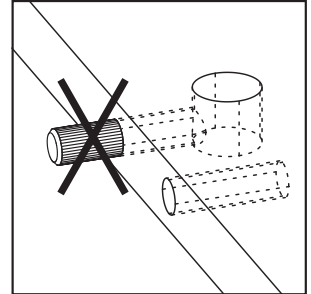
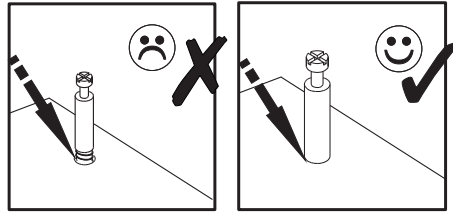
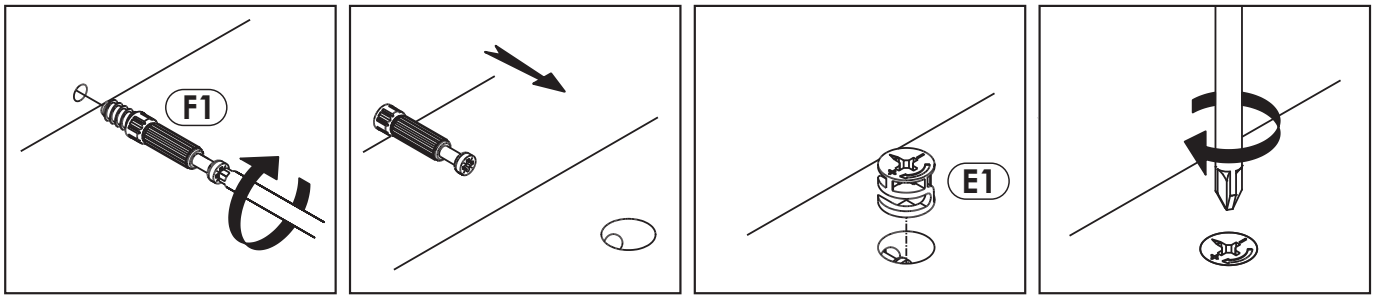


A1 x18 $\phi 8 \times 35$ mm 	A3 x2 $\phi 8 \times 60$ mm 	BC10 x7 
BC11 x7 	C1 x14 4 x 13 mm 	C2 x8 5 x 13 mm 
D2 x20 	D5 x8 	E0a x4 
E0b x12 	E1 x16 	F1 x12 
F4 x2 $\phi 7 \times 76$ mm 	G0 x6 	G1 x6 $\phi 7 \times 50$ mm 
I2 x11 4 x 16 mm 	I10 x5 3,5 x 22 mm 	J6 x4 4 x 30 mm 
M x1 	N1 x20 3 x 16 mm 	O15 x5 $\phi 50 \times 25$ mm 
Q9 x1 	R1 x12 	R3 x10 
R4 x12 		

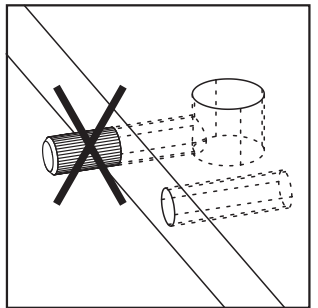
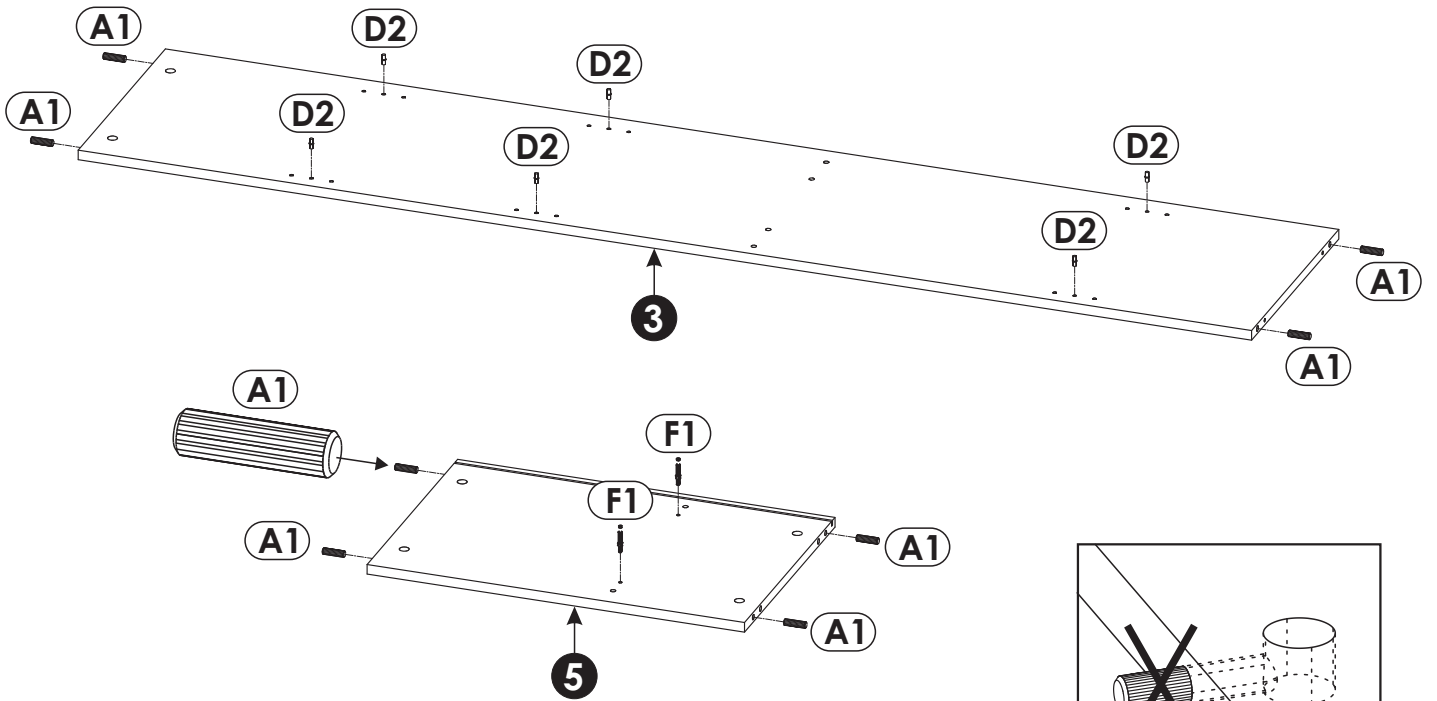


1	1904	400	16	x1	2/2
2	924	224	4	x1	2/2
3	1887	385	16	x1	2/2
4	1904	400	16	x1	2/2
5	607	400	16	x1	1/2
6	217	370	16	x3	1/2
7	376	363	6	x2	1/2
8	373	370	16	x1	1/2
9	217	370	16	x1	1/2
10	373	368	16	x1	1/2
11	373	80	16	x1	1/2
12	373	370	16	x1	1/2
13	640	400	16	x1	1/2
14	394	160	19	x1	1/2
15	980	370	4	x1	2/2
16	394	160	19	x1	1/2
17	394	626	19	x1	1/2
18	238	1916	19	x1	2/2
19	96	80	16	x1	1/2
20	1901	388	3	x1	2/2
21	1901	233	3	x1	2/2

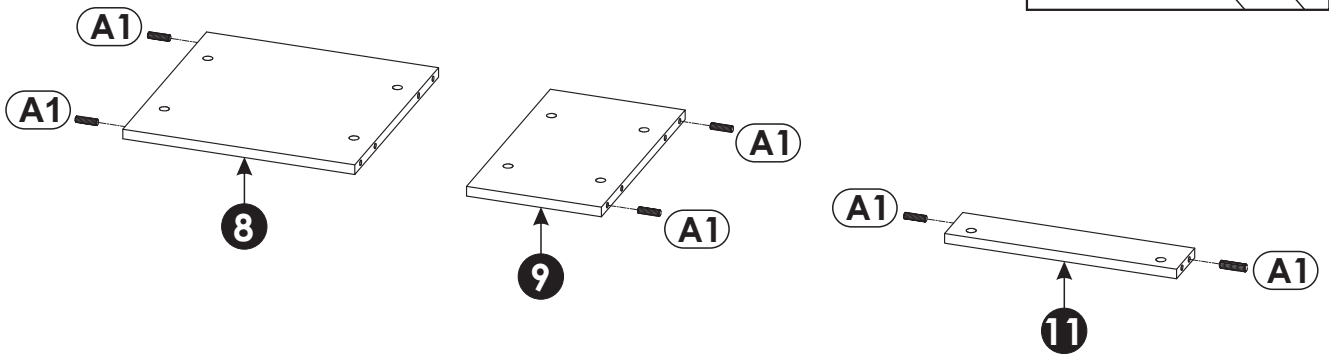




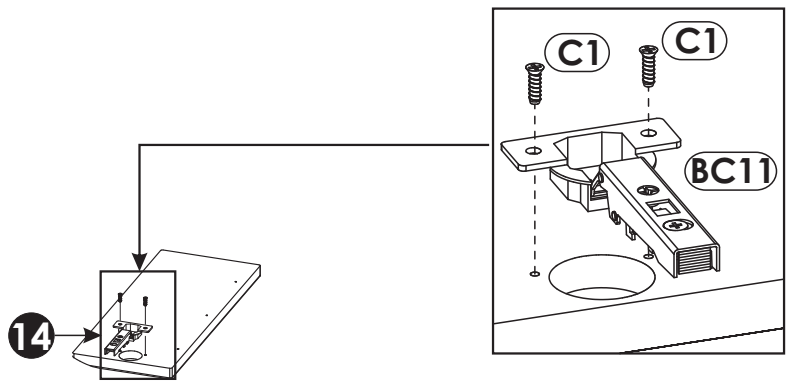
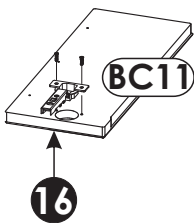
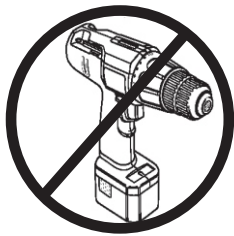
2 ▶



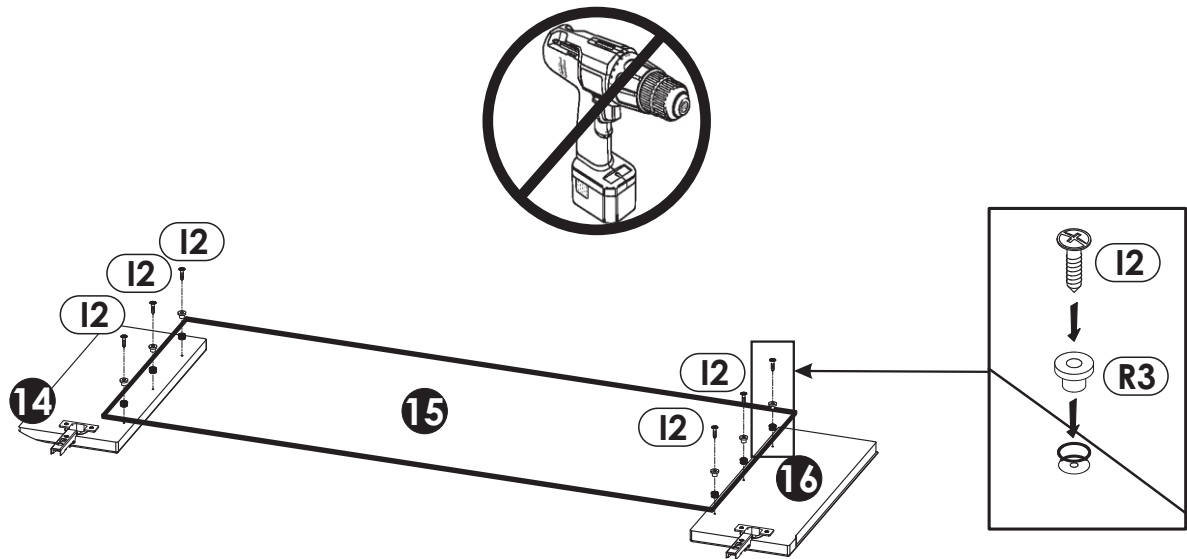
3 ▶



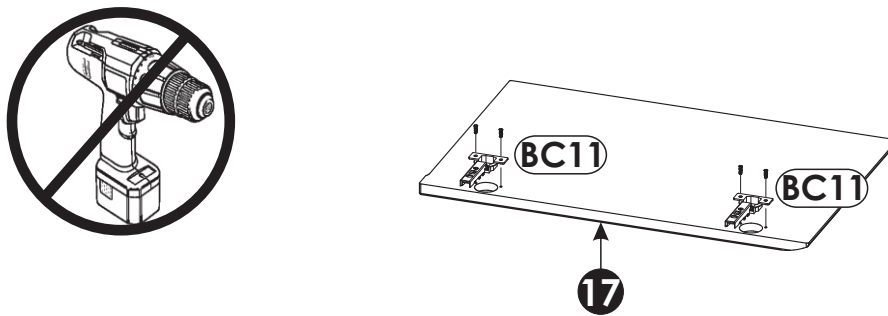
4 ▶



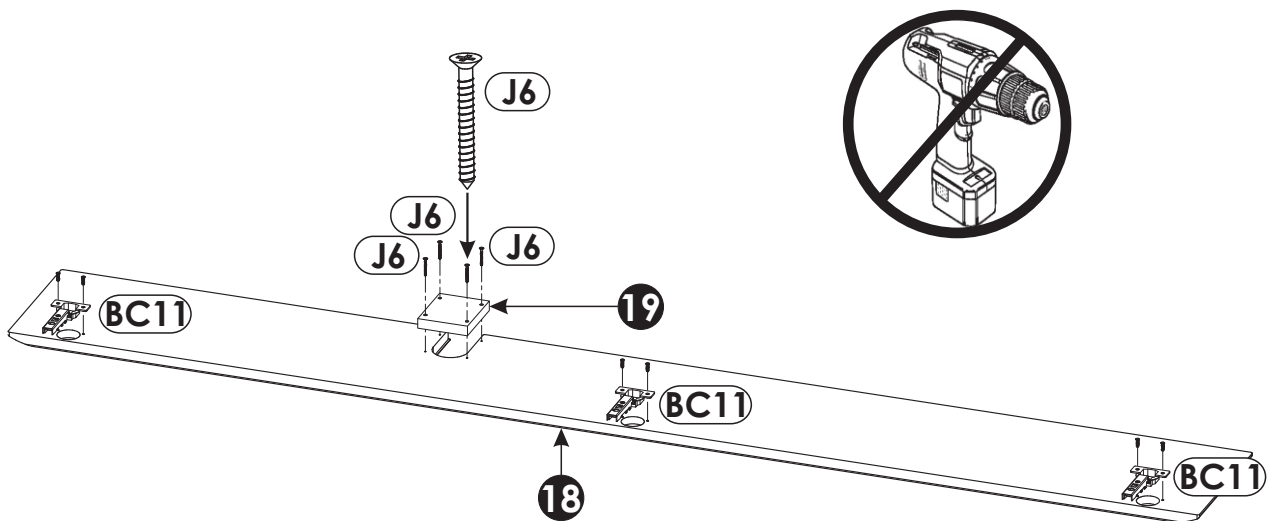
5 ▶



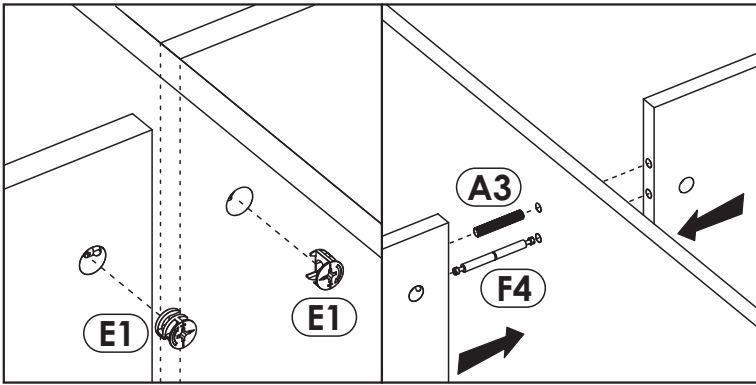
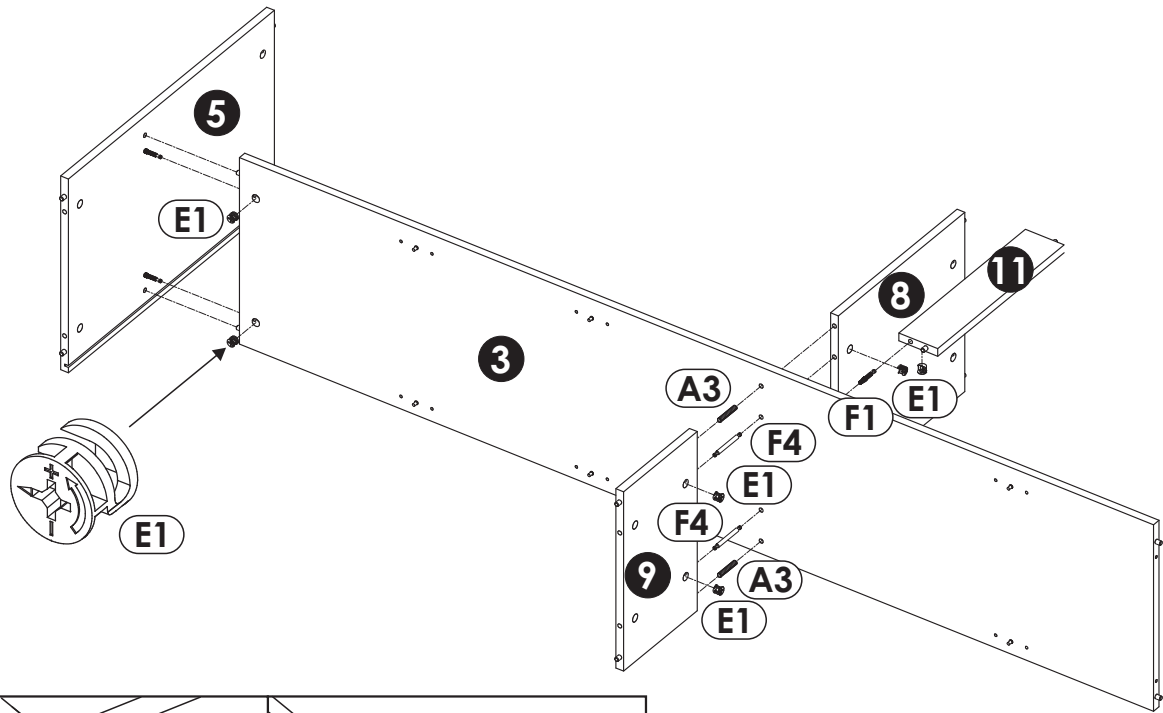
6 ▶



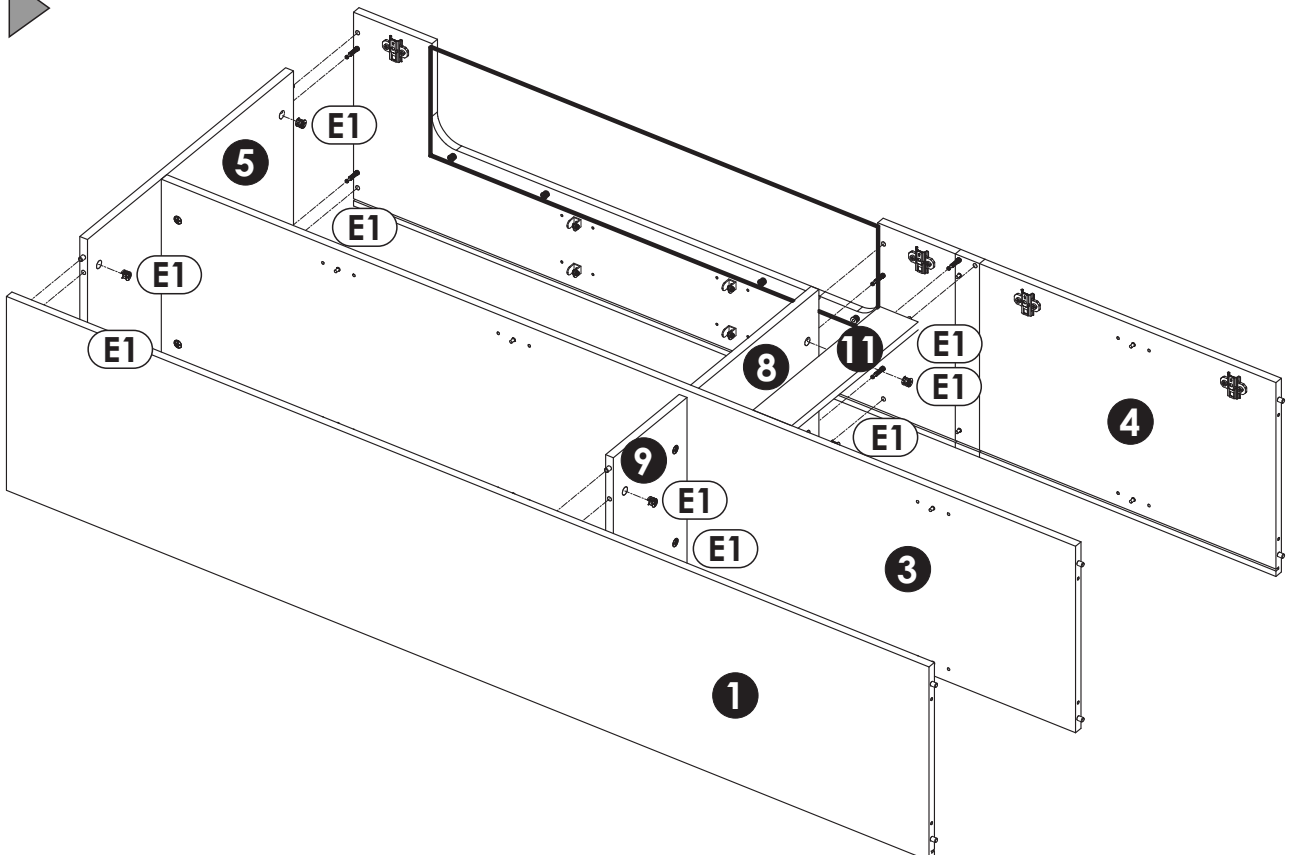
7 ▶



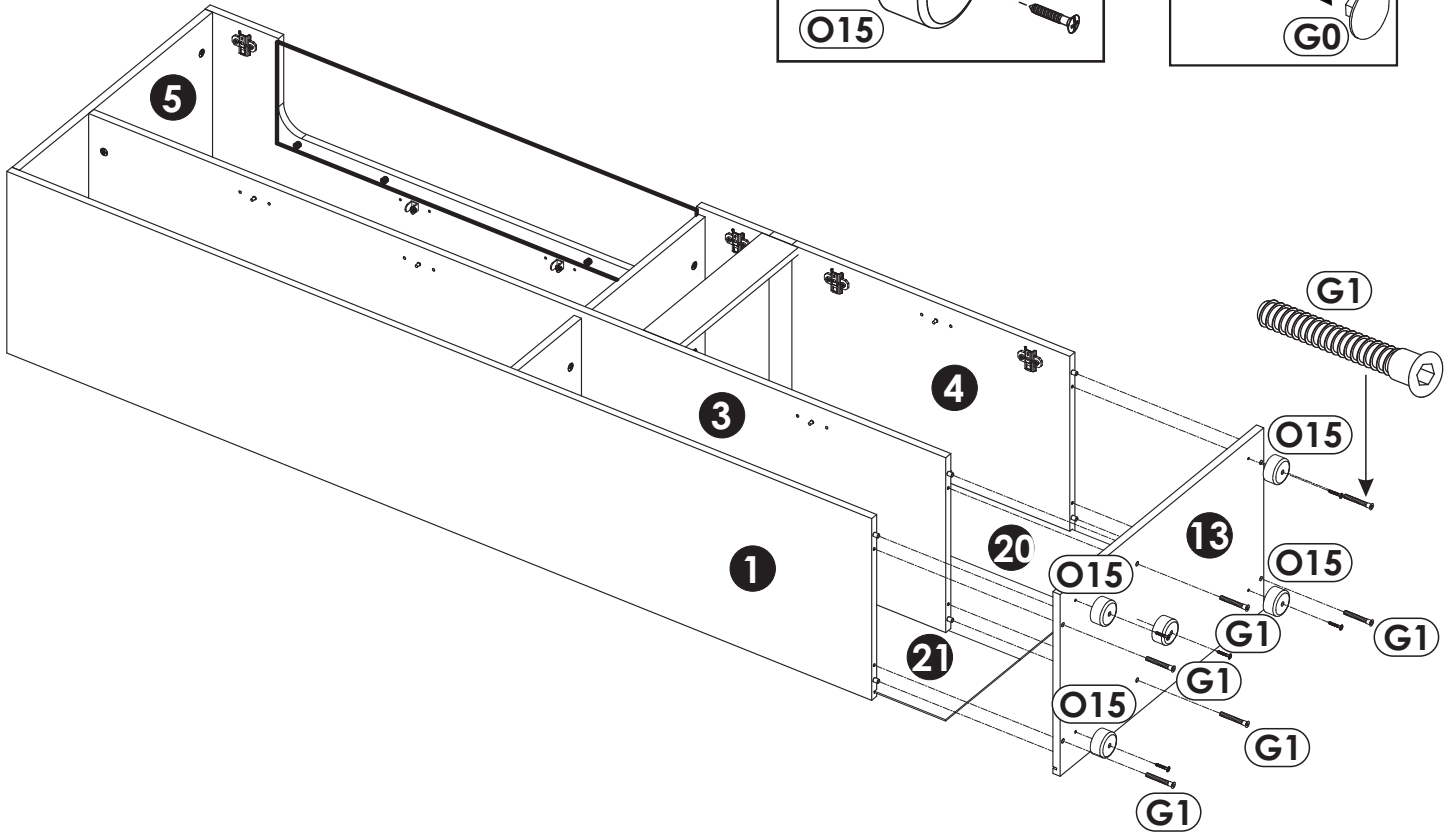
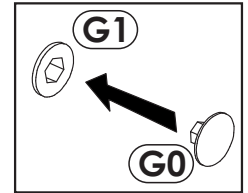
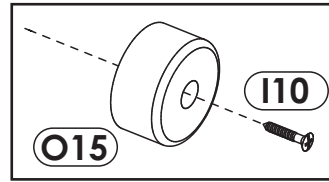
8 ▶



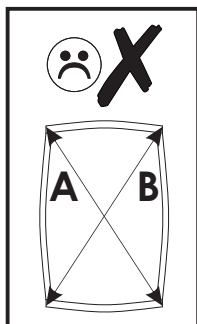
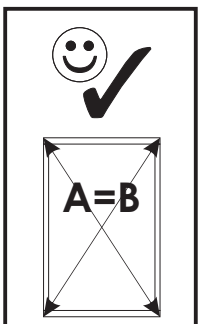
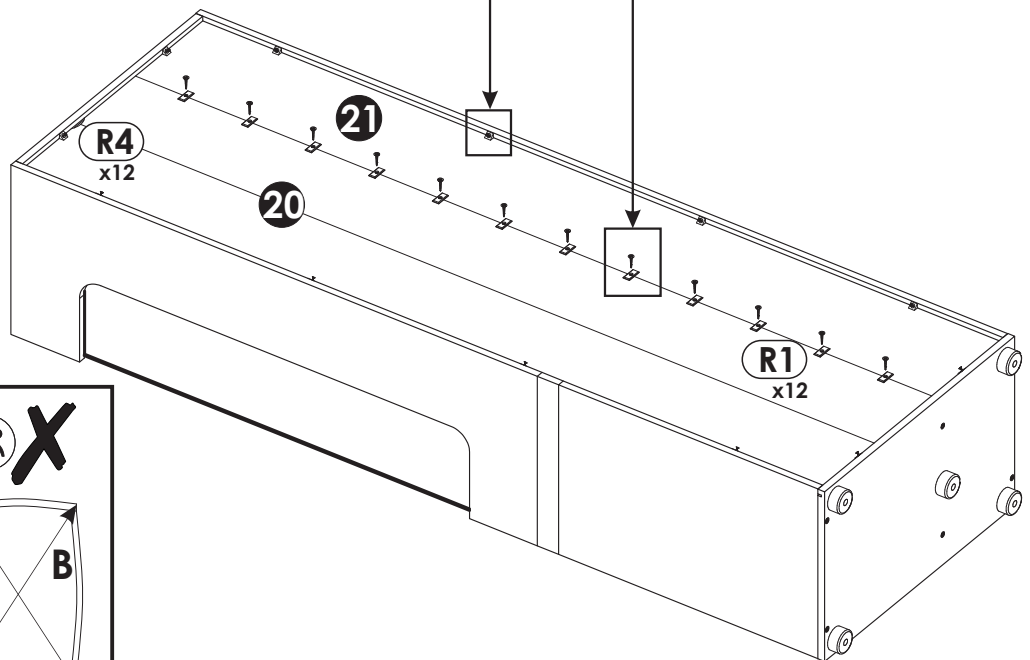
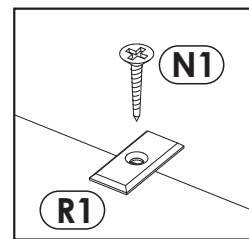
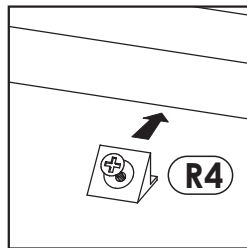
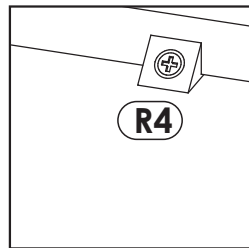
9 ▶



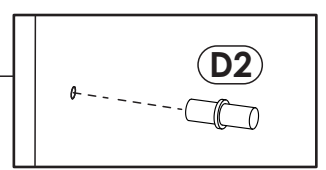
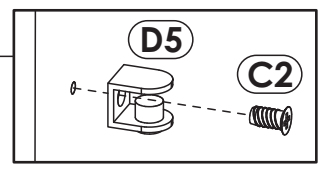
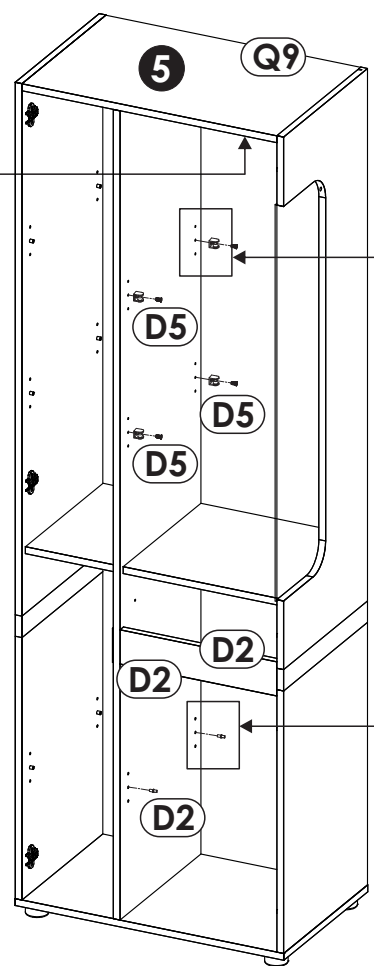
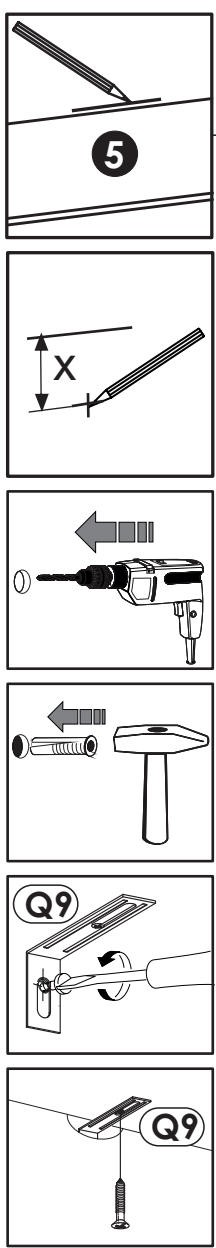
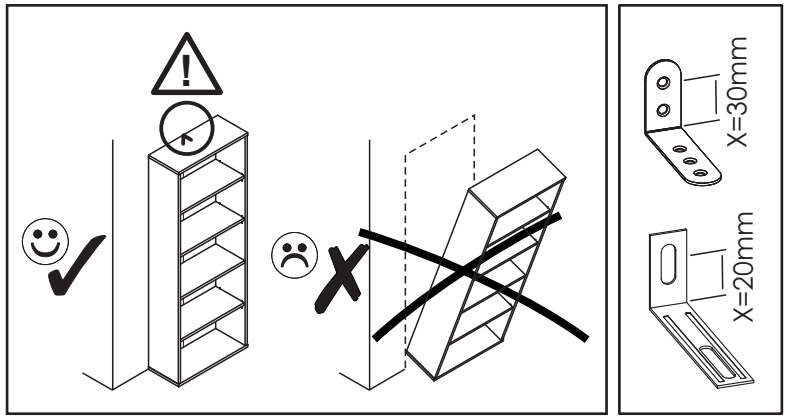
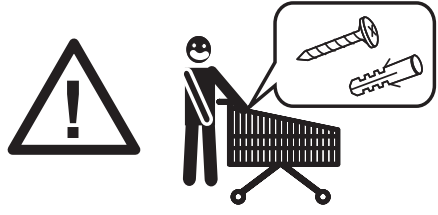
10 ▶



11 ▶



12 ▶



13▶

