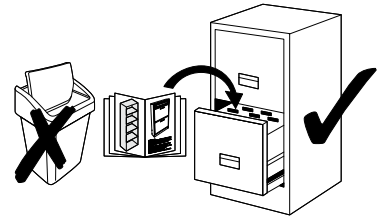
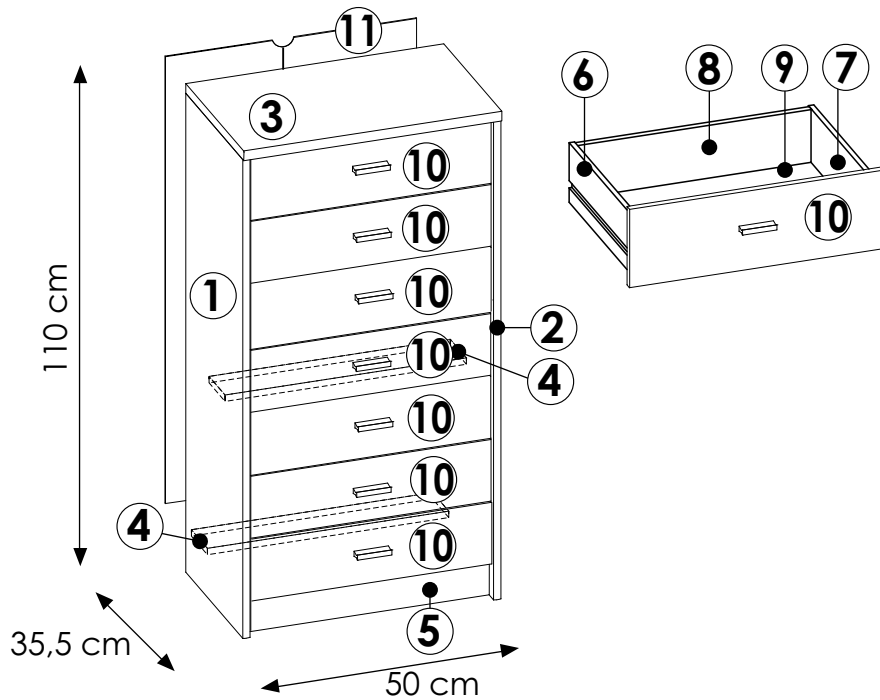
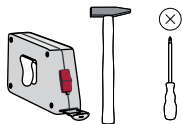
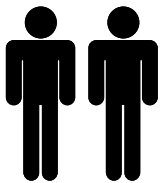


4YOU

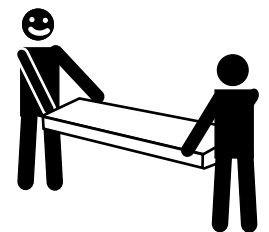
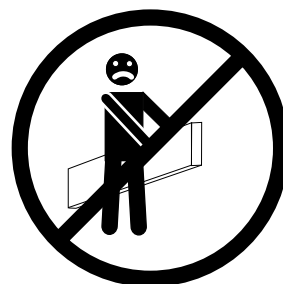
7S

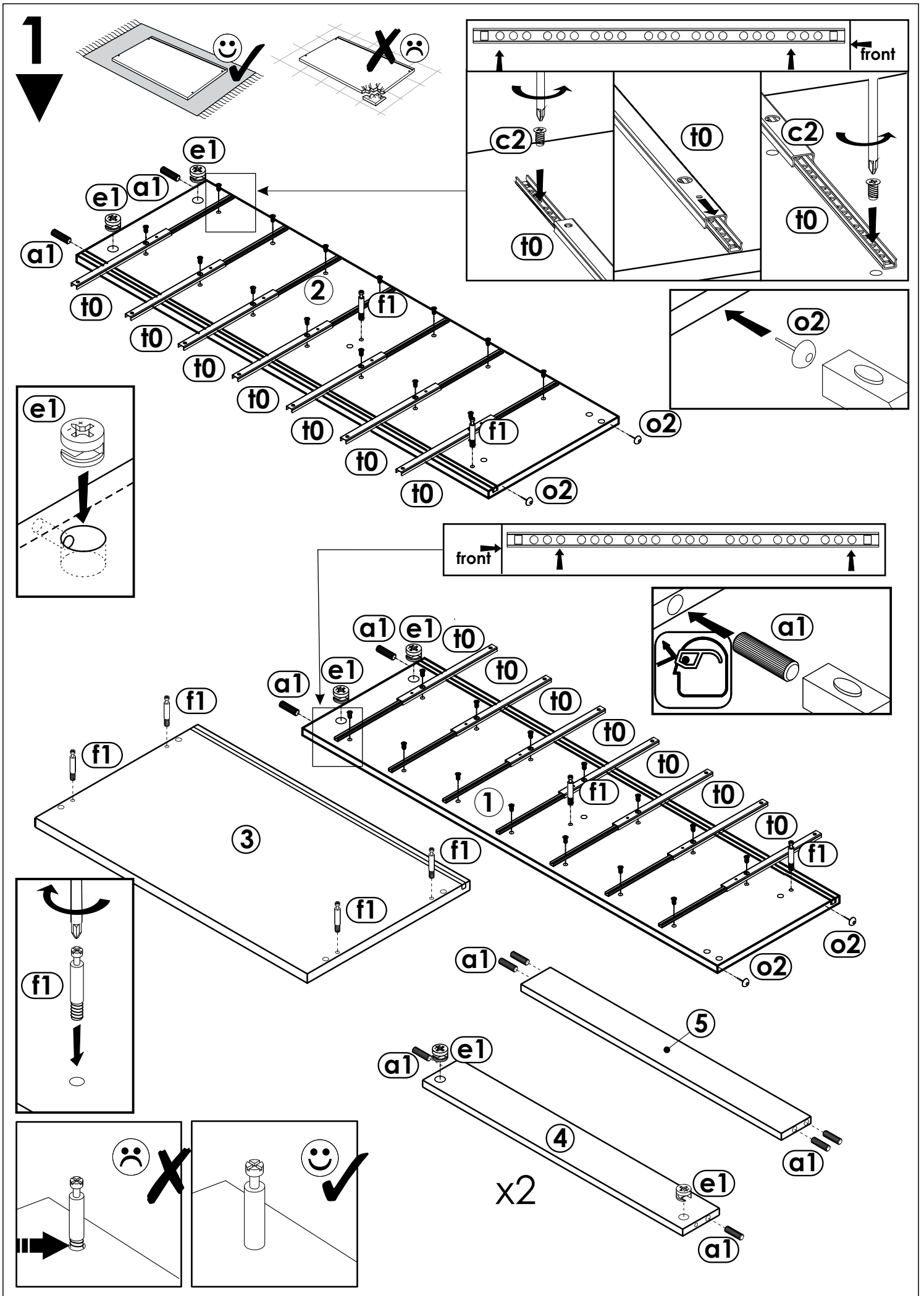


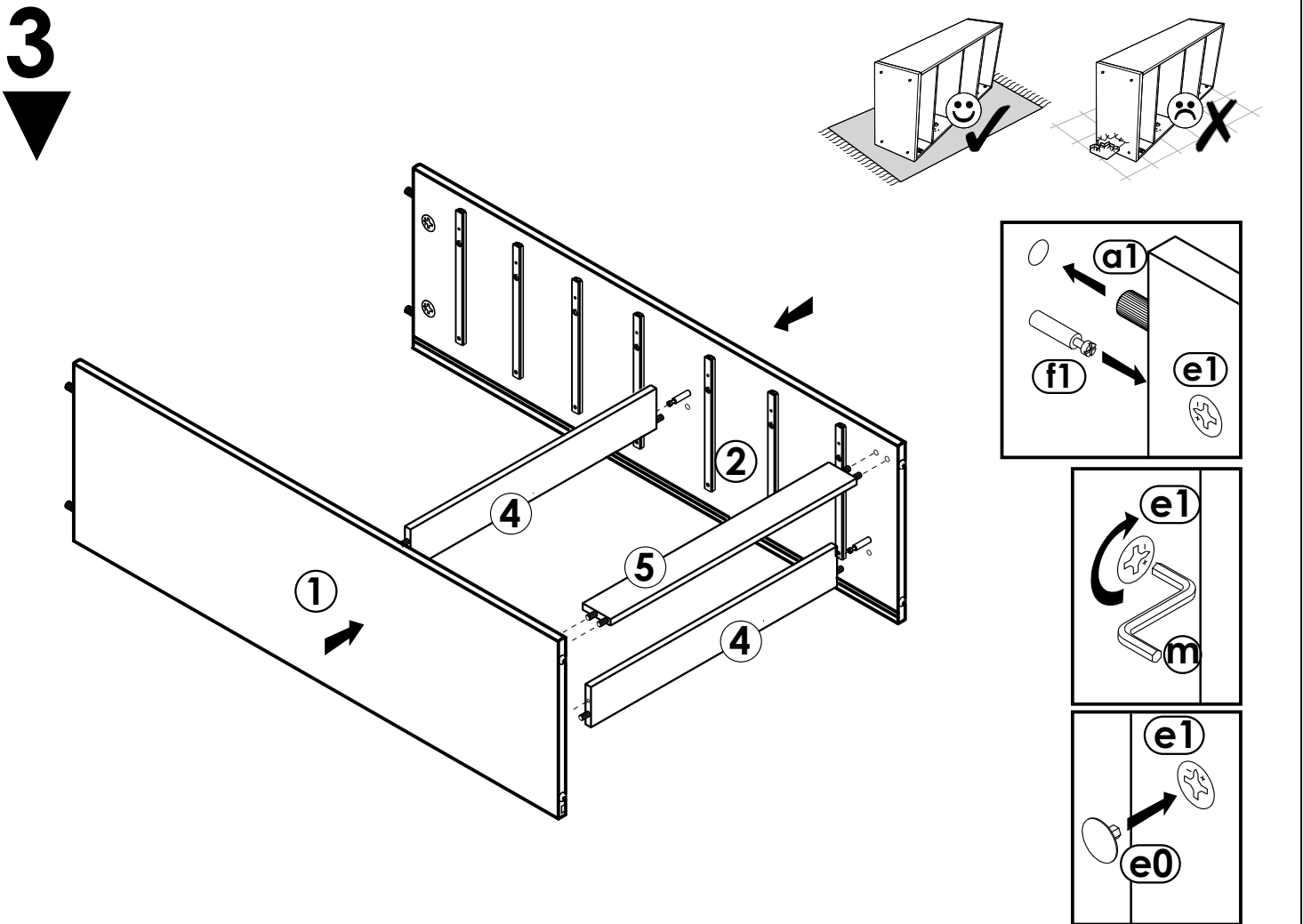
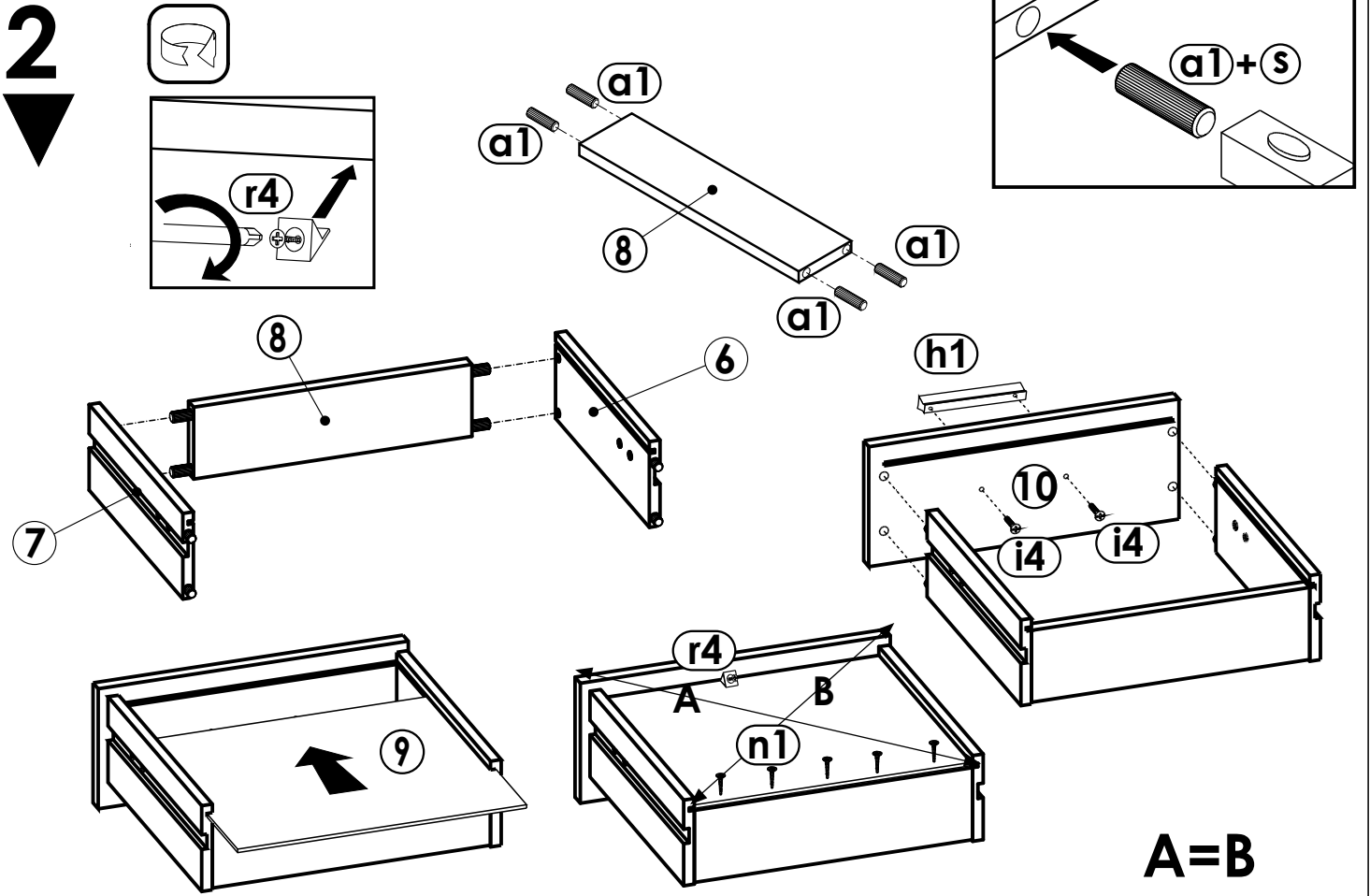
a1 8x35 x....(x38)	c2 Euro 5x13 x....(x28)	e0 x....(x10)	e1 x....(x10)	f1 x....(x10)	h1 x....(x7)	i2 4x16 x... (x1)	i4 3,5x27 x....(x14)	k1 4x9 x....(x14)	m x....(x1)
n1 3x16 x....(x30)	o2 x....(x4)	p0 x....(x14)	q x....(x1)	r4 x....(x14)	s x....(x2)	t0 x....(x7)			



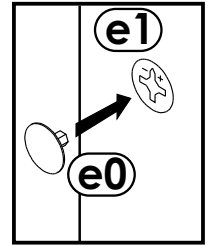
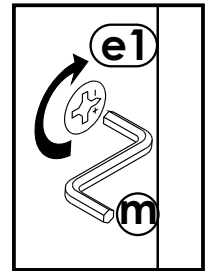
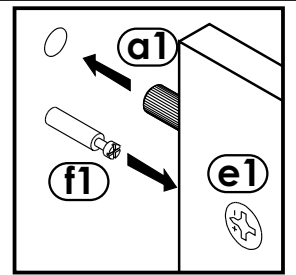
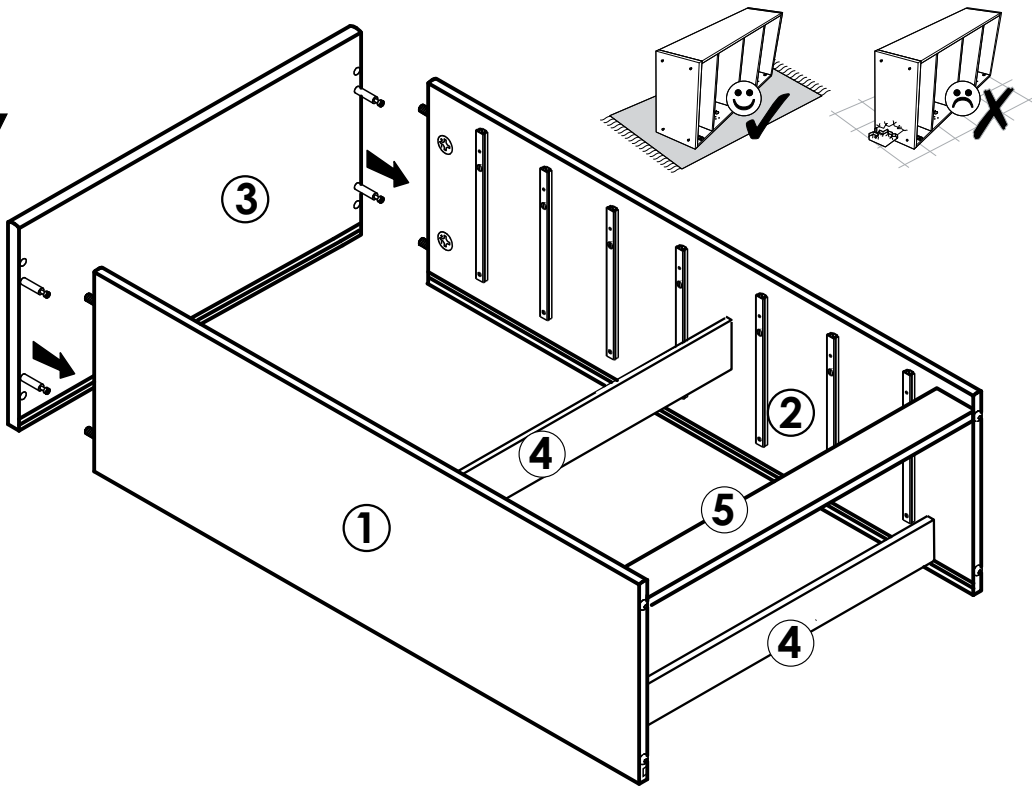
- 90 min.



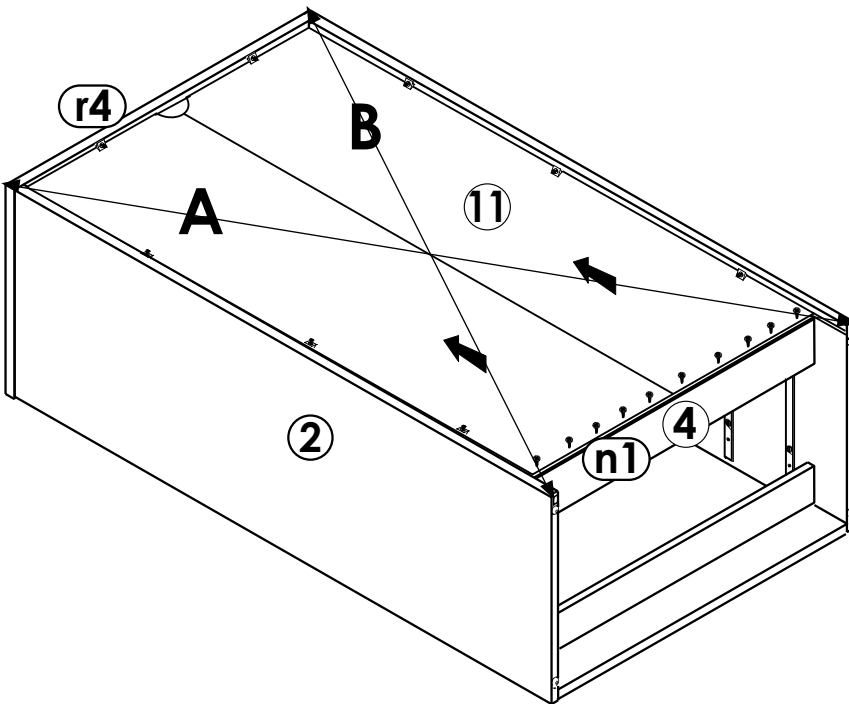
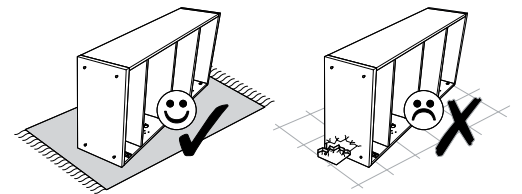




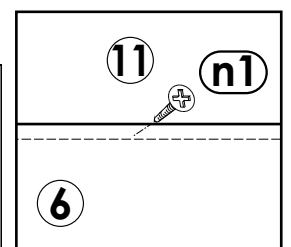
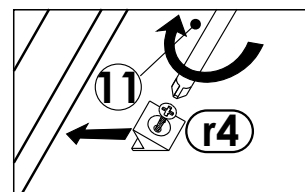
4
▼



5
▼



A=B



6

