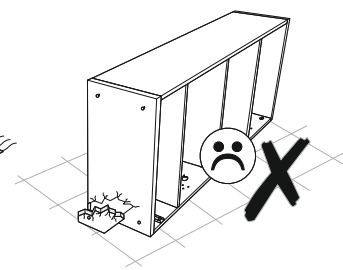
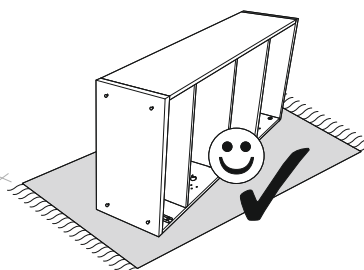
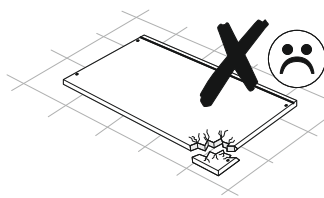
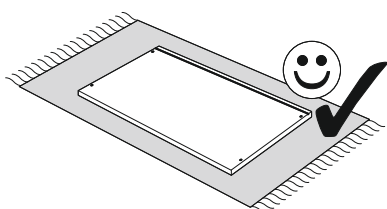
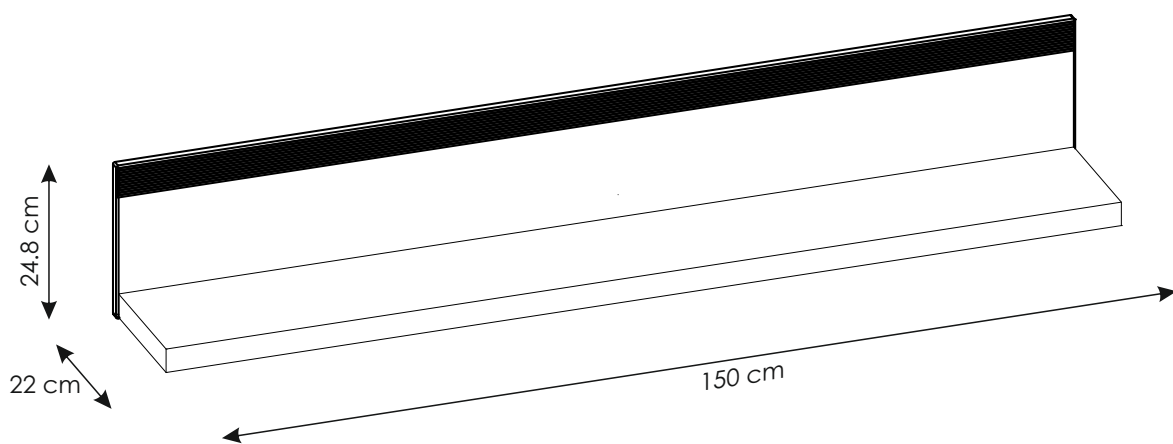
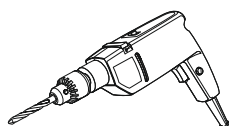
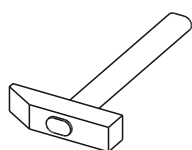
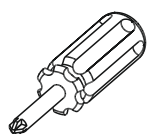
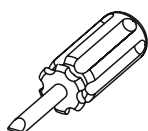
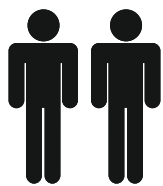
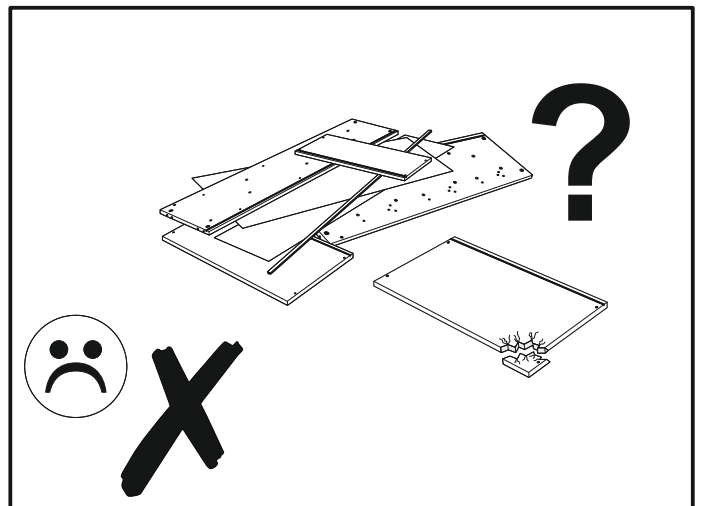
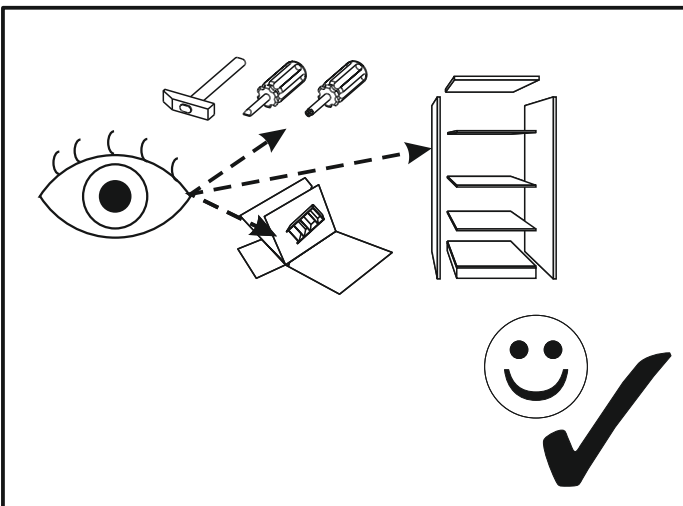
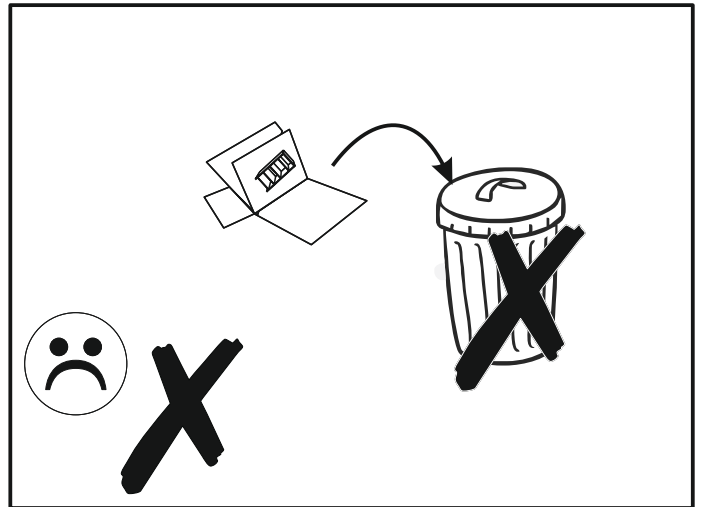
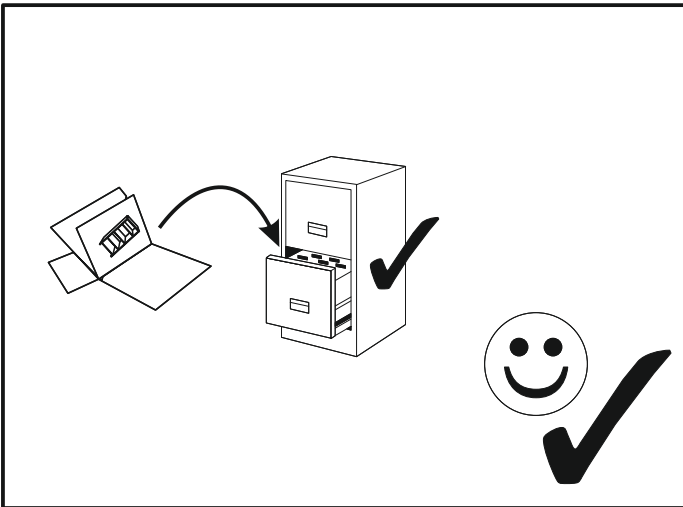
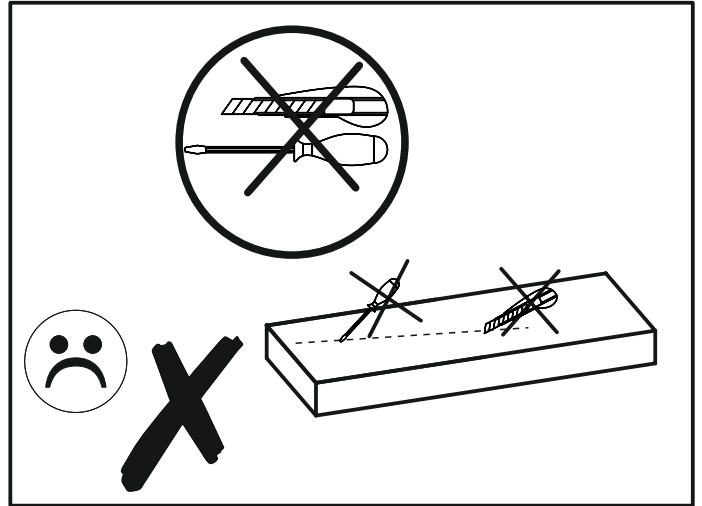
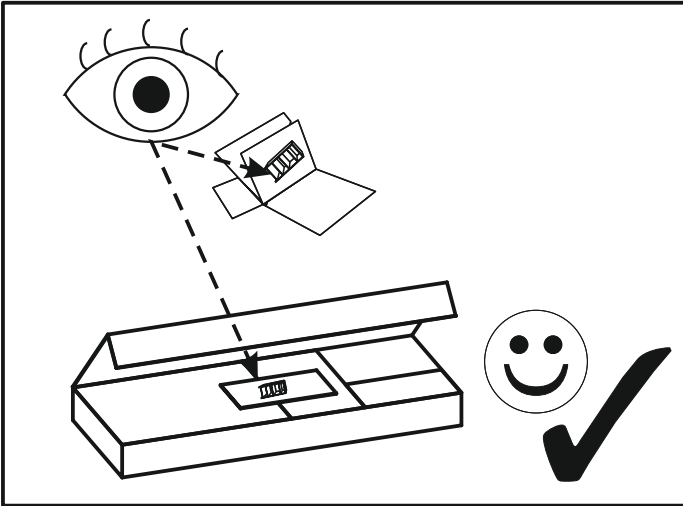


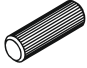






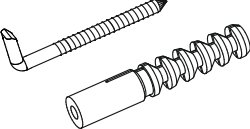
4296168

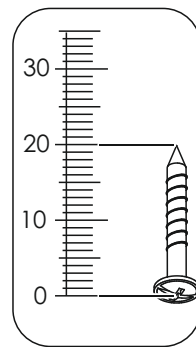
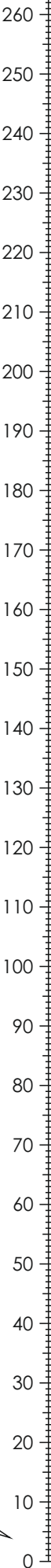




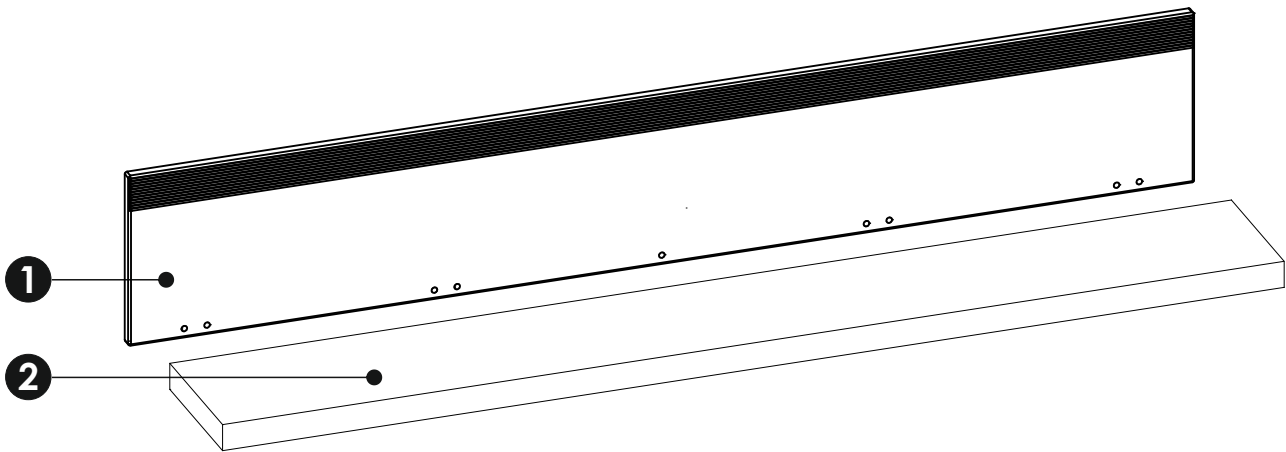
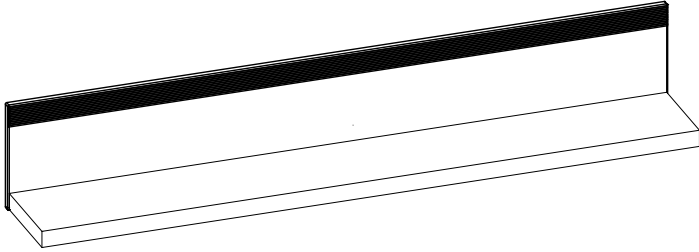
HAVD01

MM

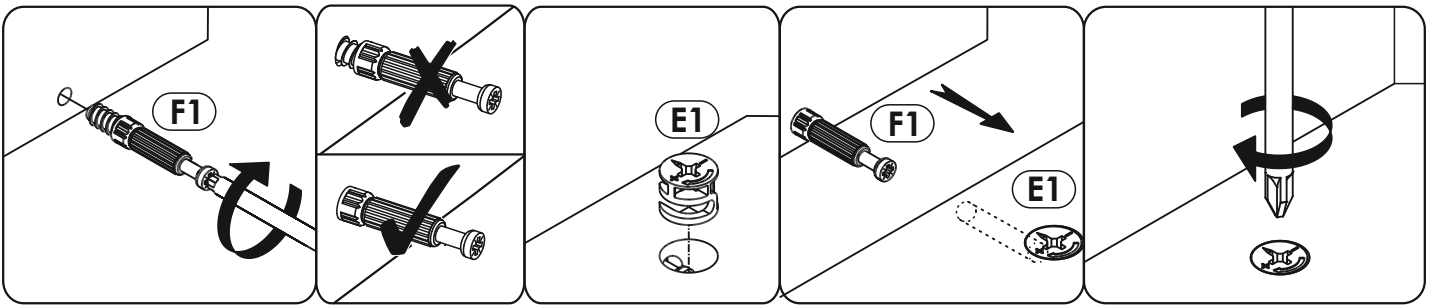
| | | |
|---|---|---|
| <p>A1 8 x 35 mm x4</p>  | <p>C2 5 x 13 mm x6</p>  | <p>G0 x5</p>  |
| <p>G1 7 x 50 mm x5</p>  | <p>M x1</p>  | <p>P1 x3</p>  |
| <p>R8 x2</p>  | <p>S14 x3</p>  | |



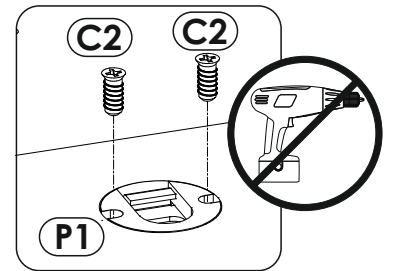
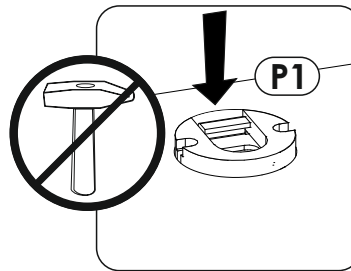
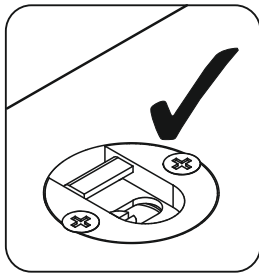
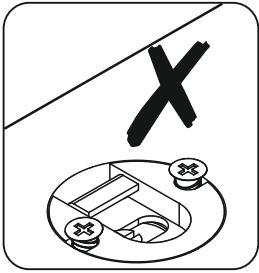
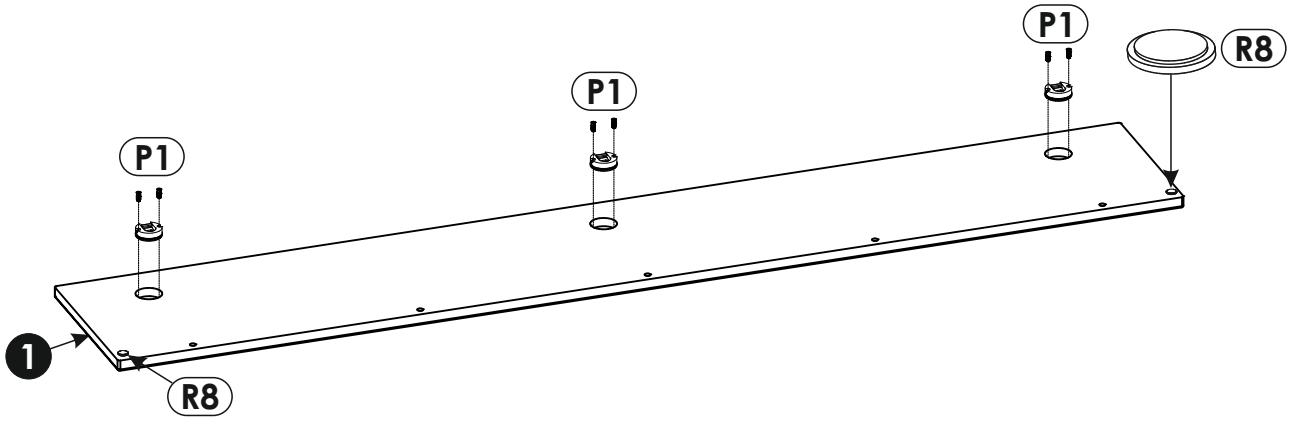
HAVD01



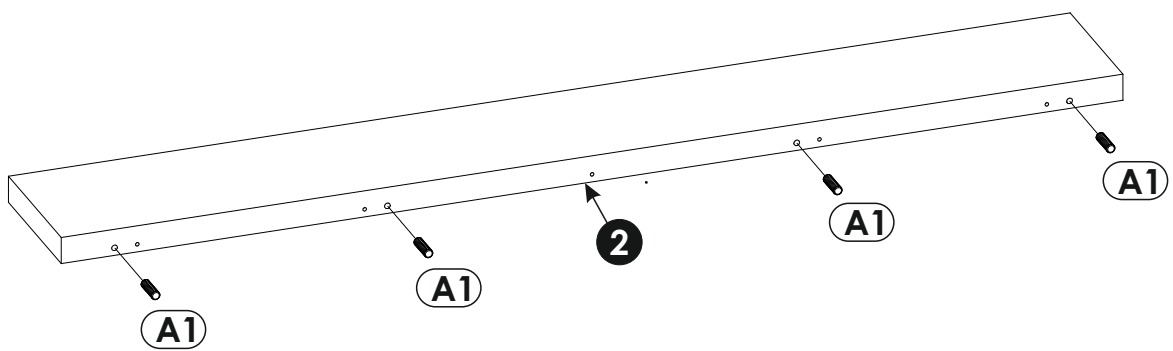
| | | | | | |
|----------|------|-----|----|----|-----|
| 1 | 1500 | 248 | 16 | x1 | 1/1 |
| 2 | 1494 | 204 | 38 | x1 | 1/1 |



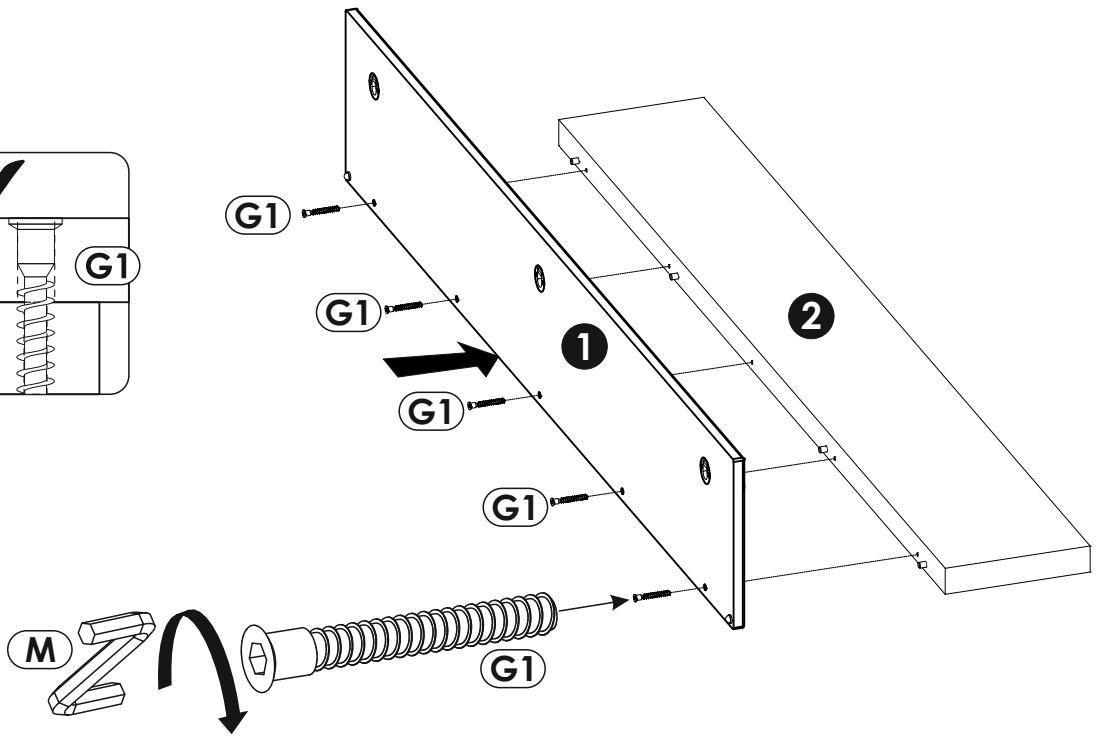
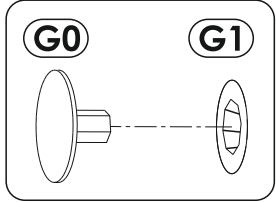
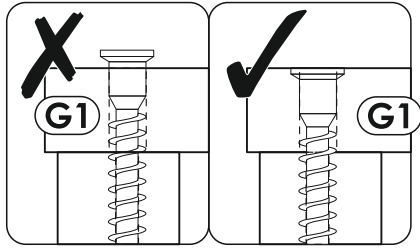
1 ▶



2 ▶



3 ▶



4 ▶

