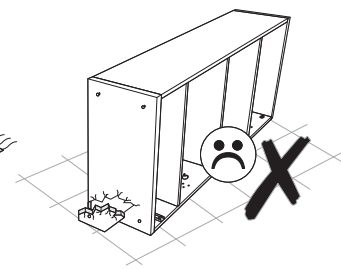
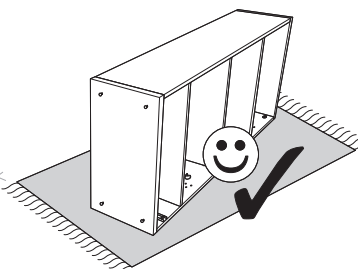
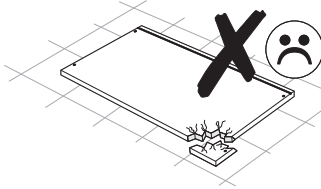
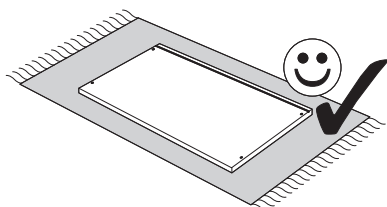
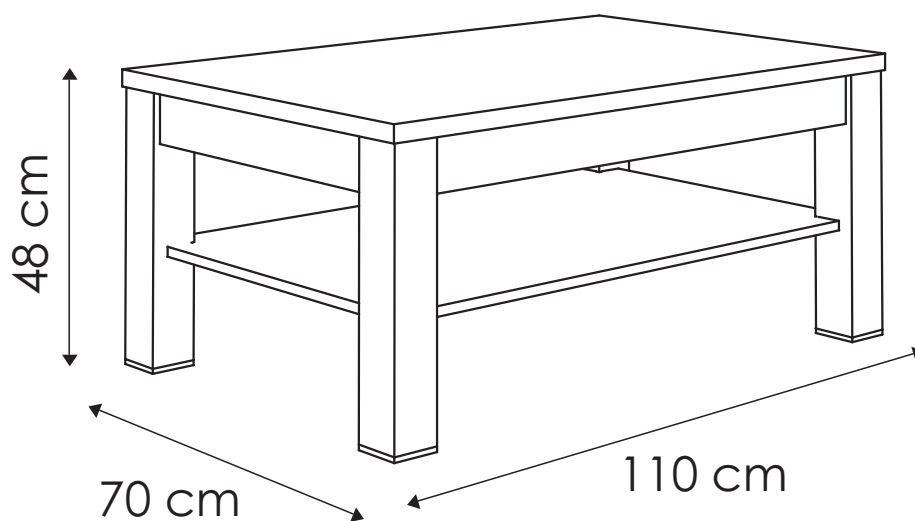
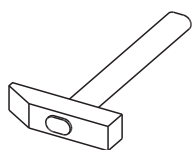
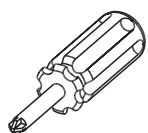
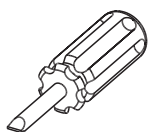
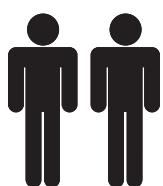
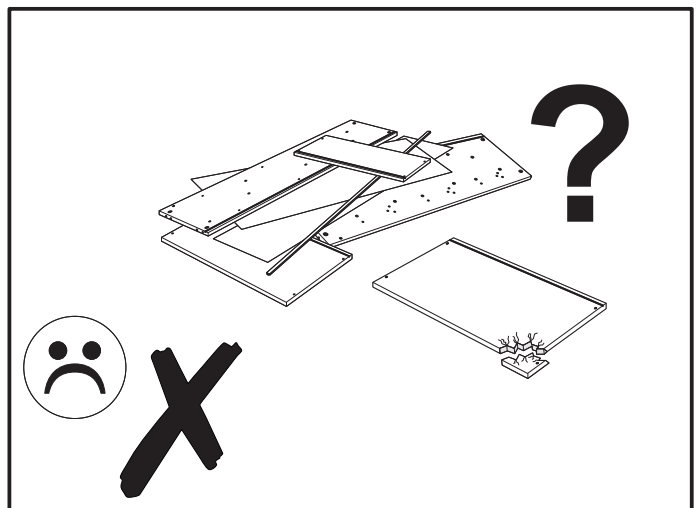
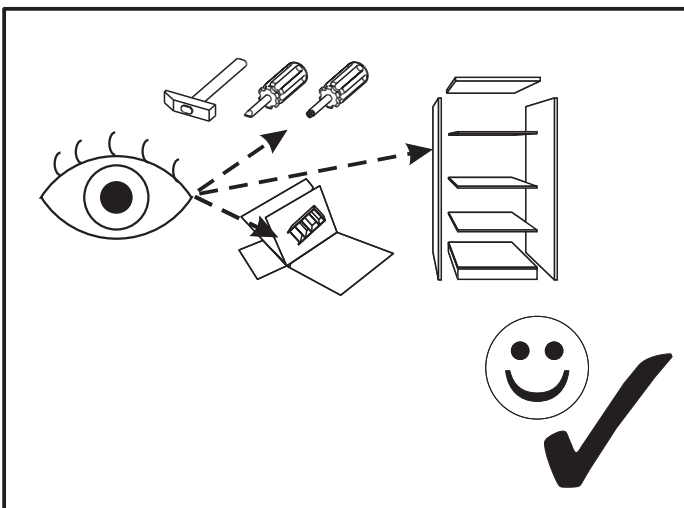
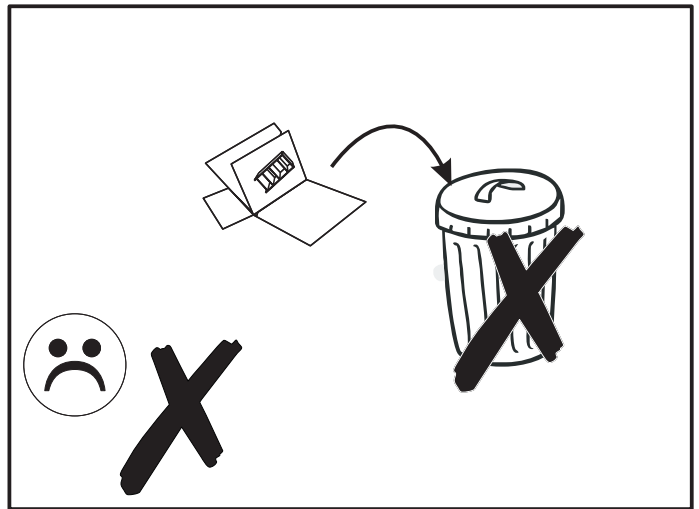
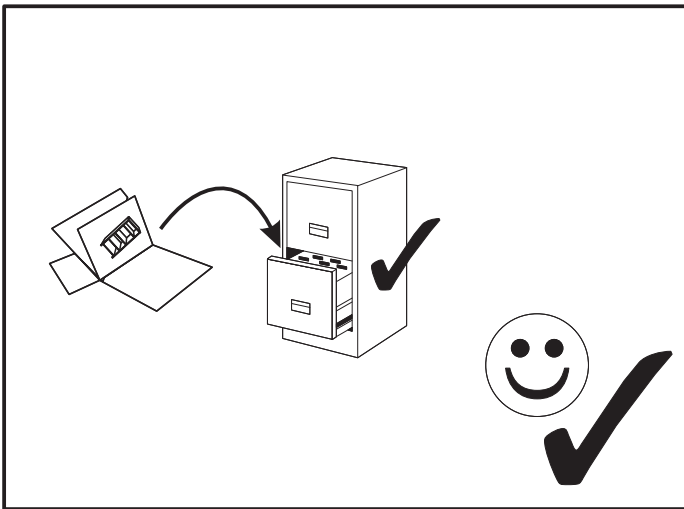
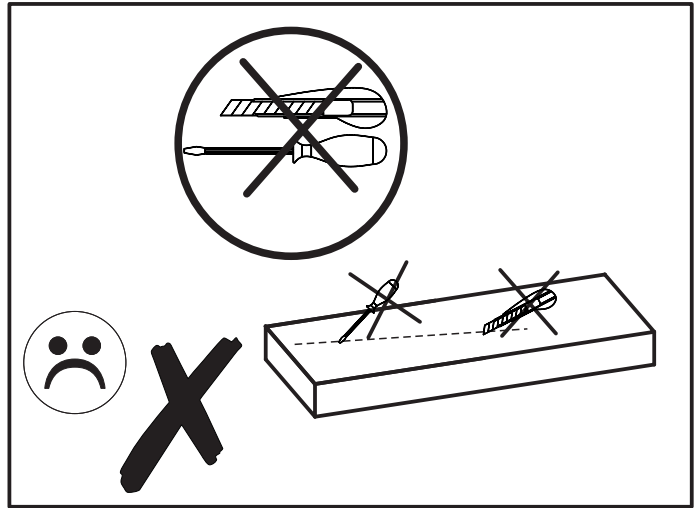
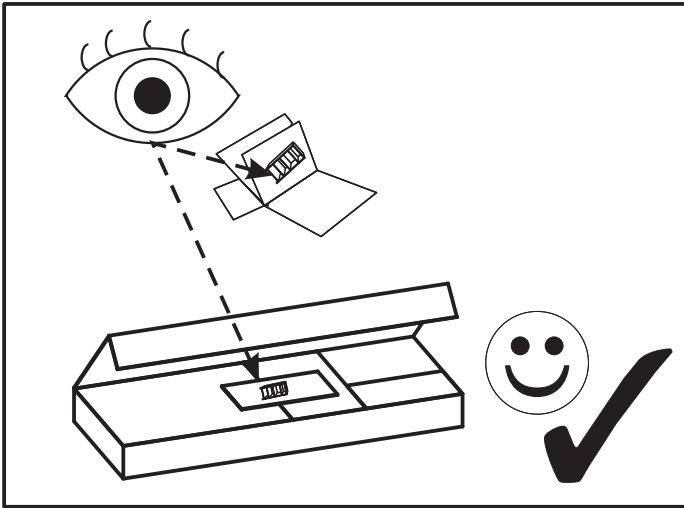
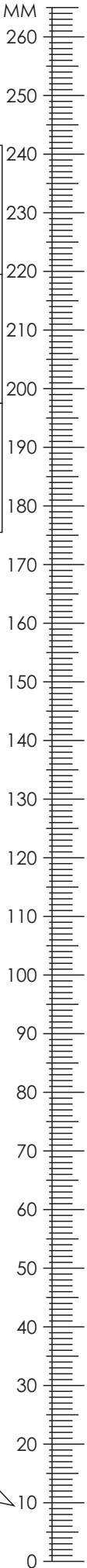








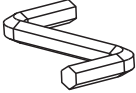
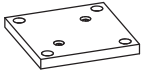

IMPERIAL / IMPERIAL NEW TYP70

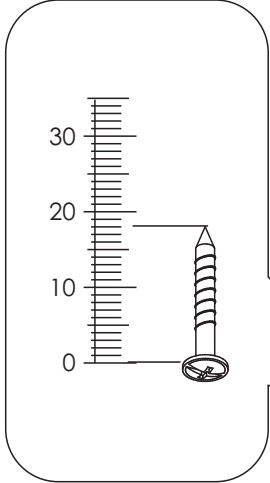




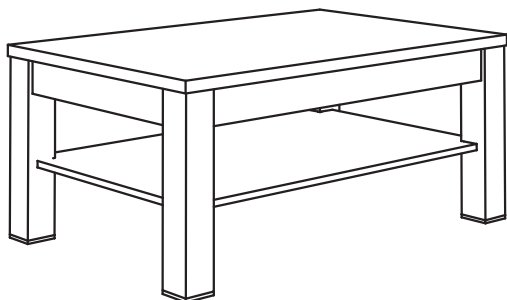
IMPERIAL / IMPERIAL NEW TYP70



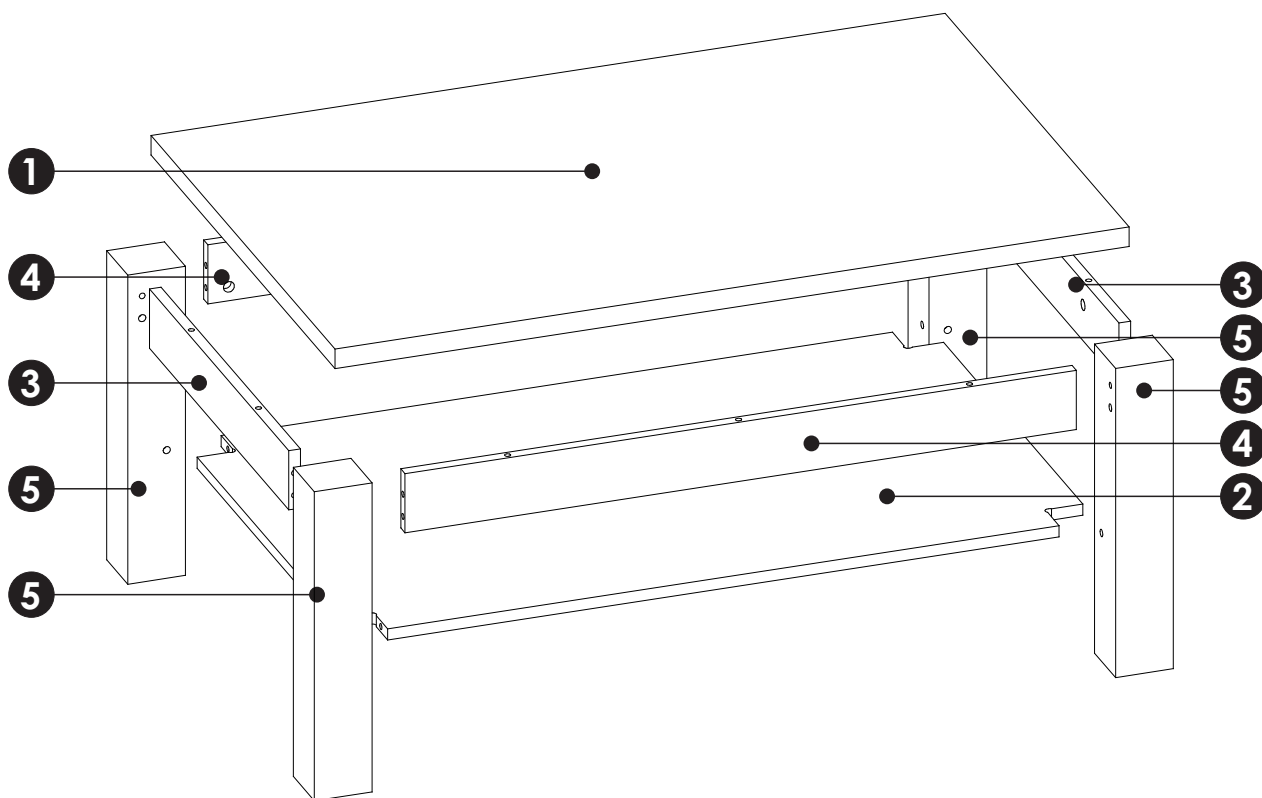
<p>A1 x8 $\varnothing 8 \times 35$ mm</p> 	<p>E0 x22</p> 	<p>E1 x22</p> 
<p>F1 x10</p> 	<p>F5 x12</p> 	<p>I5 x8 3,5 x 30 mm</p> 
<p>M x1</p> 	<p>O14 x4</p> 	<p>S3 x12</p> 

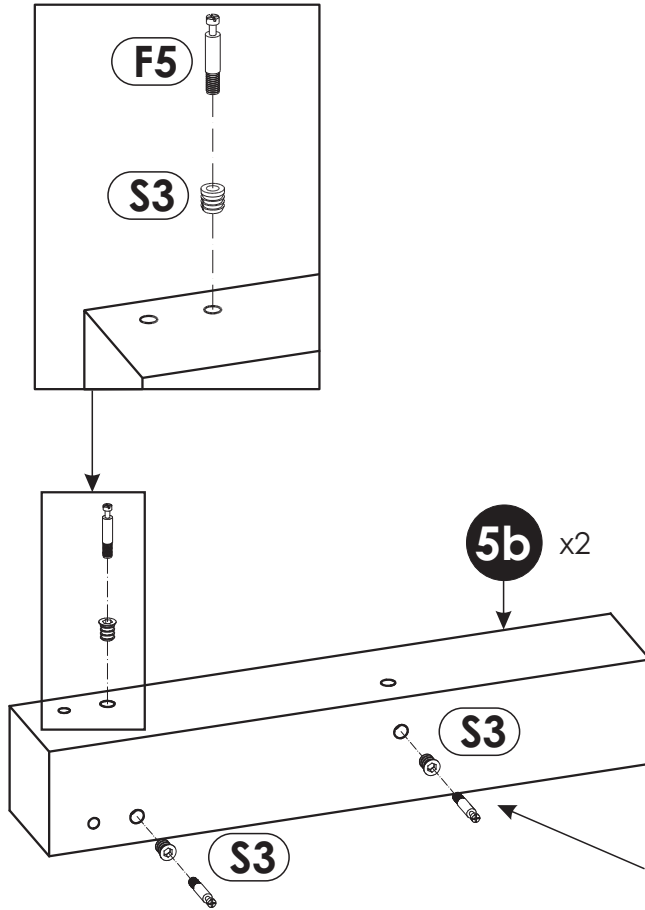
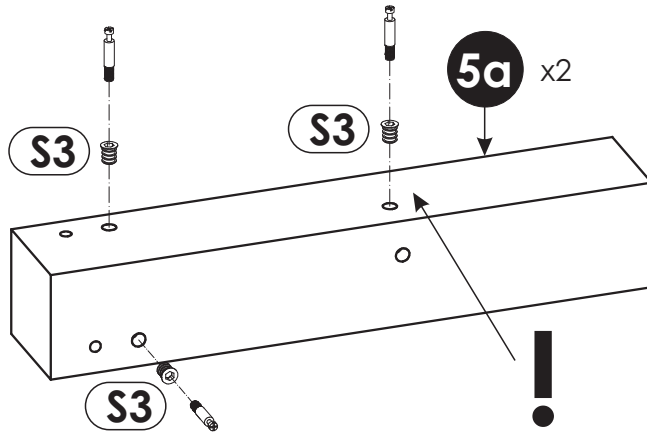
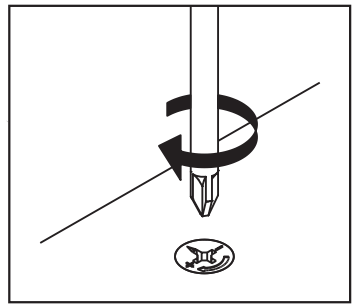
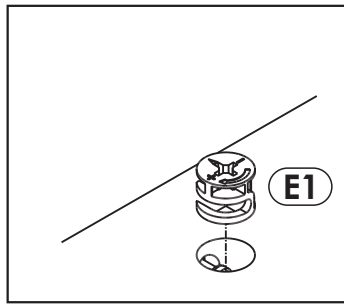
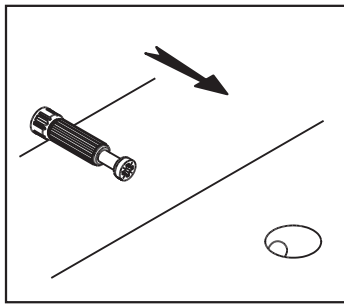
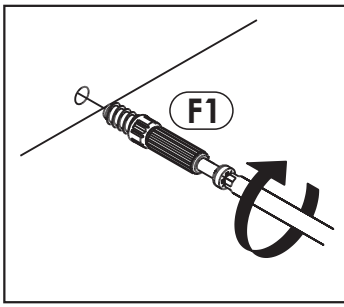


IMPERIAL / IMPERIAL NEW TYP70

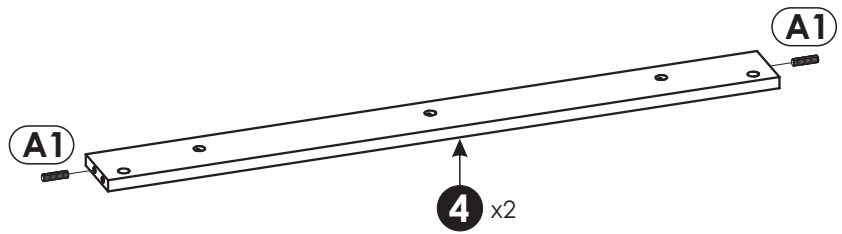
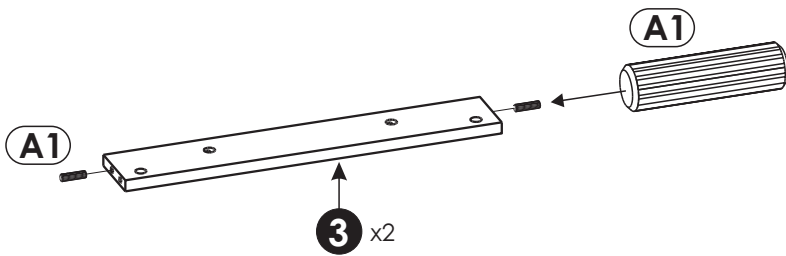
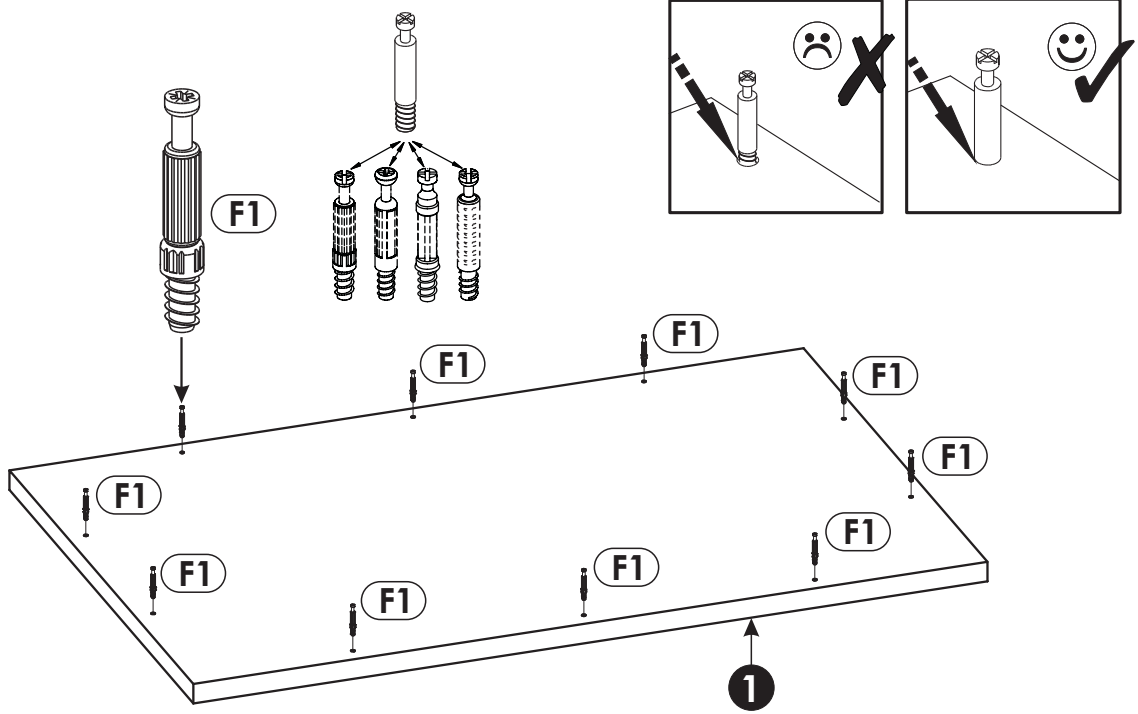


1	1100	700	28	x1	1/1
2	1034	634	16	x1	1/1
3	530	85	16	x2	1/1
4	930	85	16	x2	1/1
5	444	80	80	x4	1/1

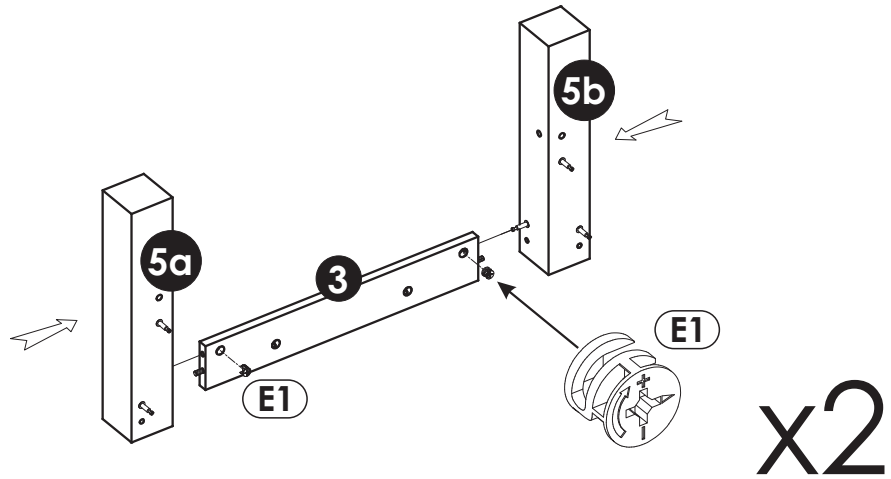




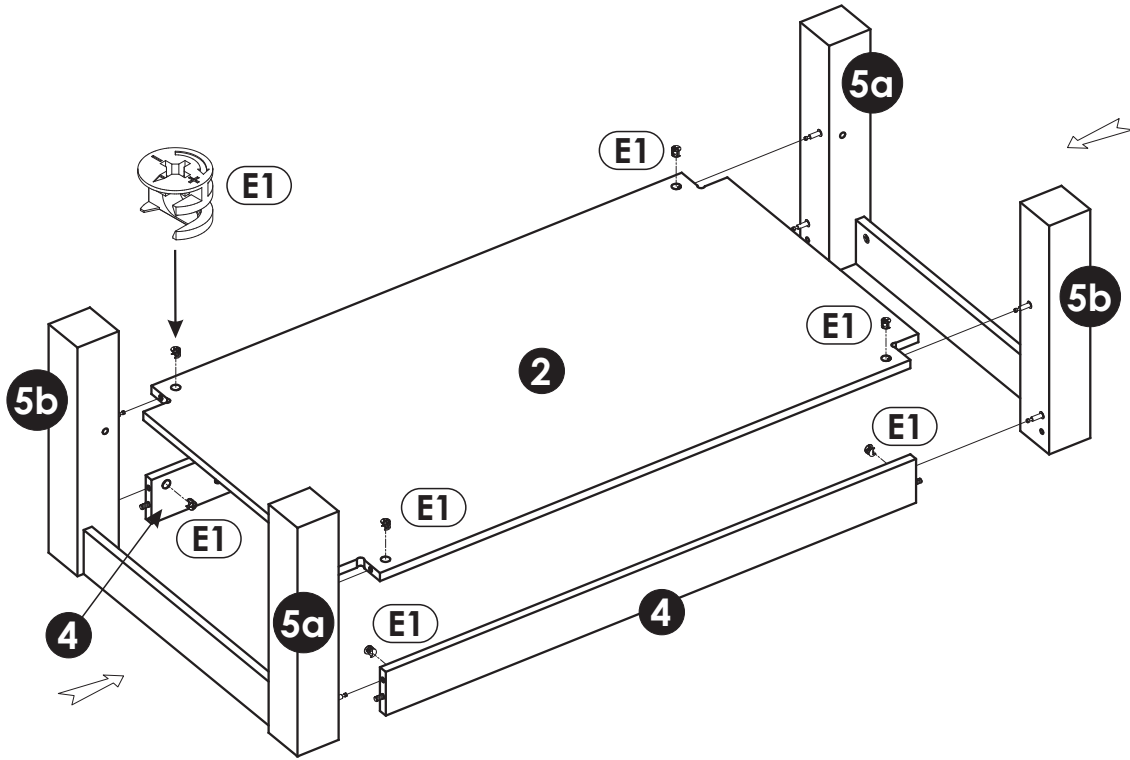
2 ▶



3 ▶



4 ▶



5 ▶

