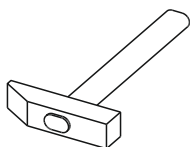
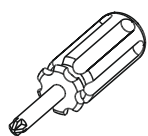
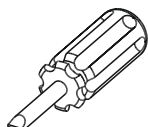
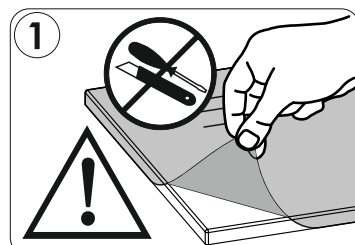
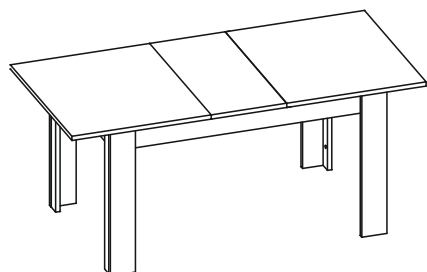
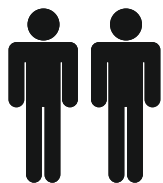


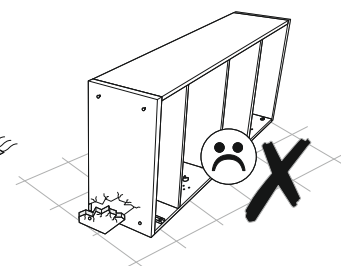
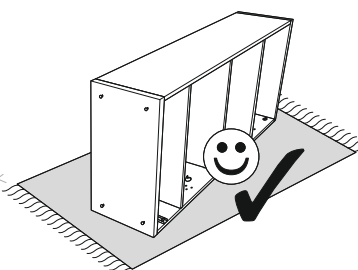
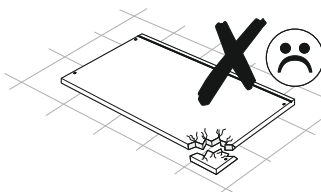
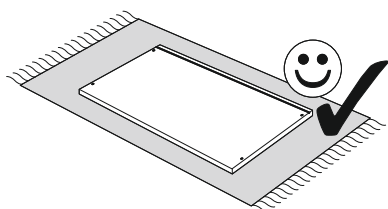
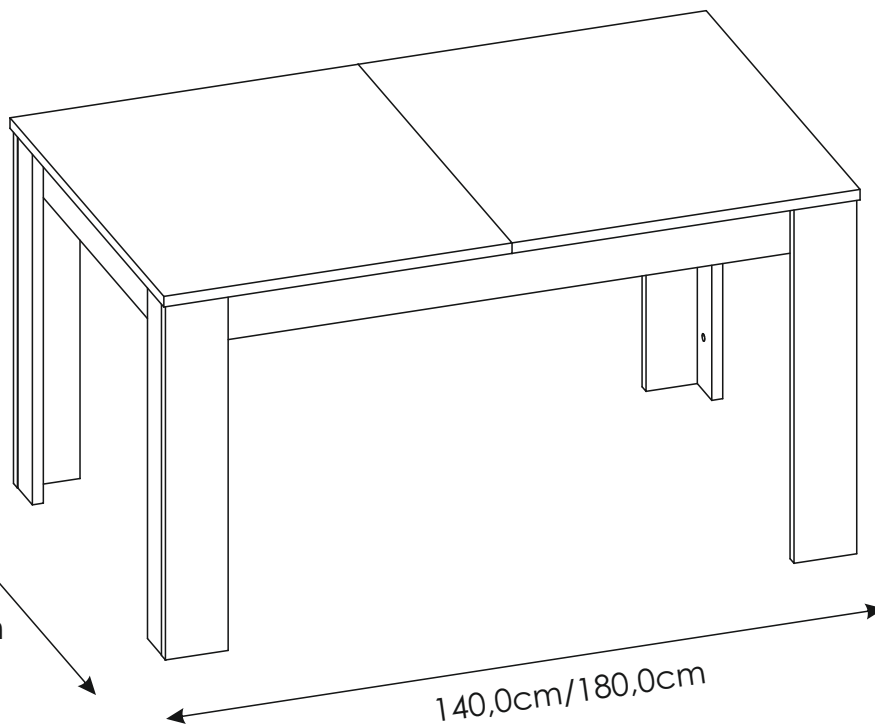
AI 4267665

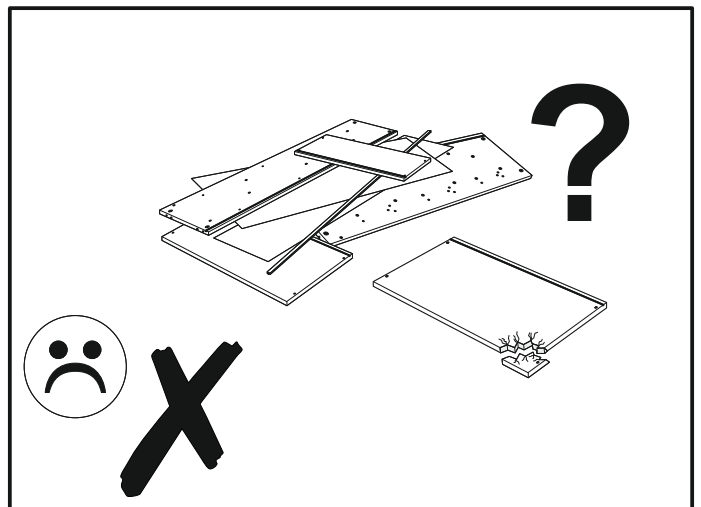
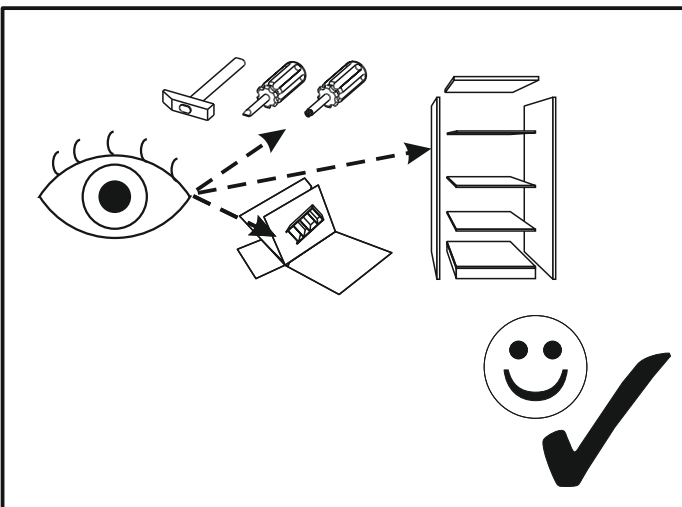
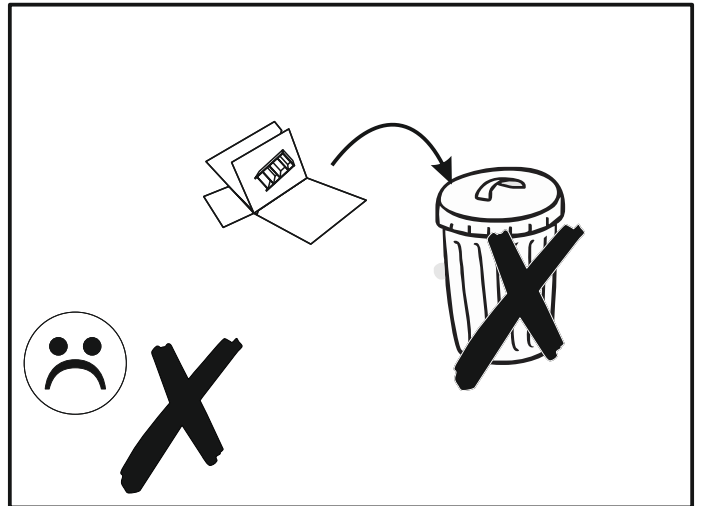
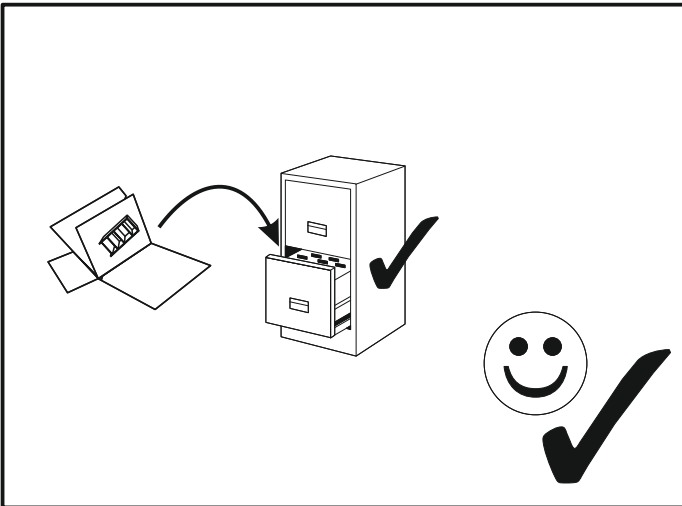
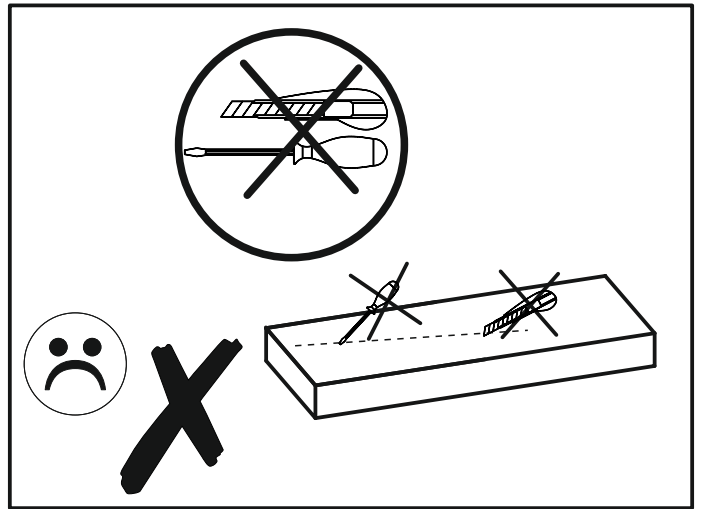
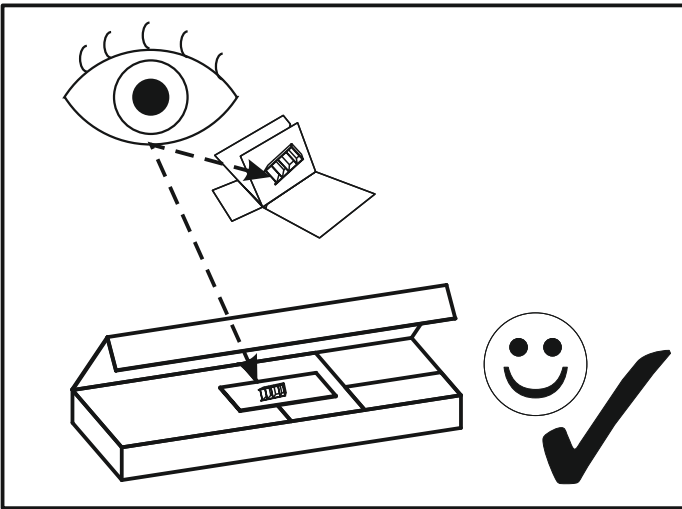


76,6cm

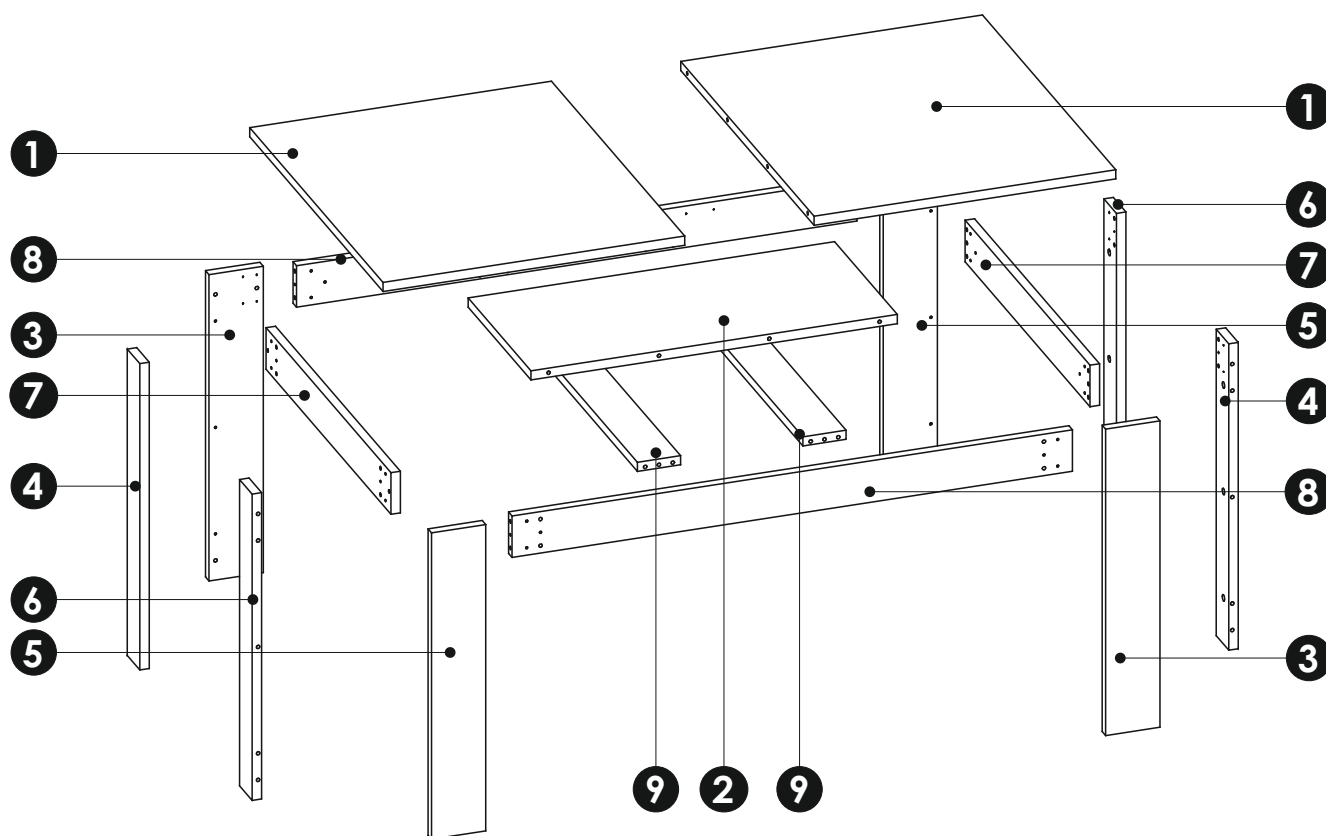
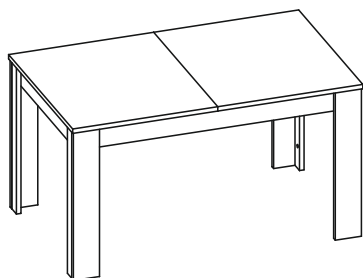
85cm

140,0cm/180,0cm





LYON LYOT03

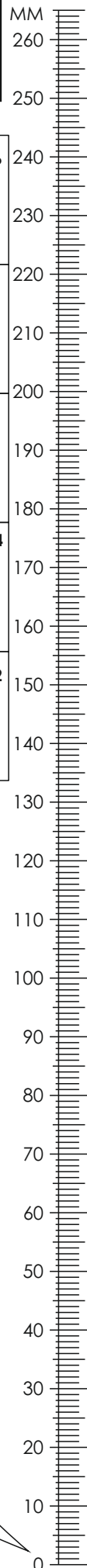



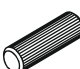


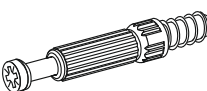
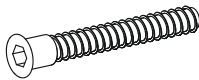


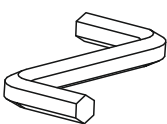
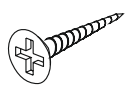
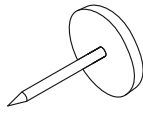
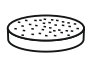
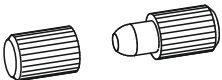
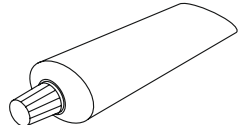
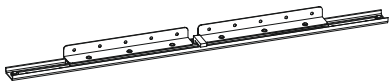
1	850	700	22 x2	2/2
2	850	400	22 x1	2/2
3	737	126	22 x2	1/2

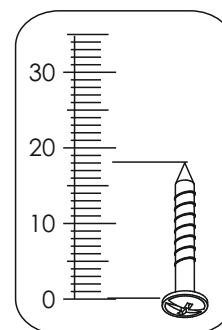
4	737	80	22 x2	1/2
5	737	126	22 x2	1/2
6	737	80	22 x2	1/2

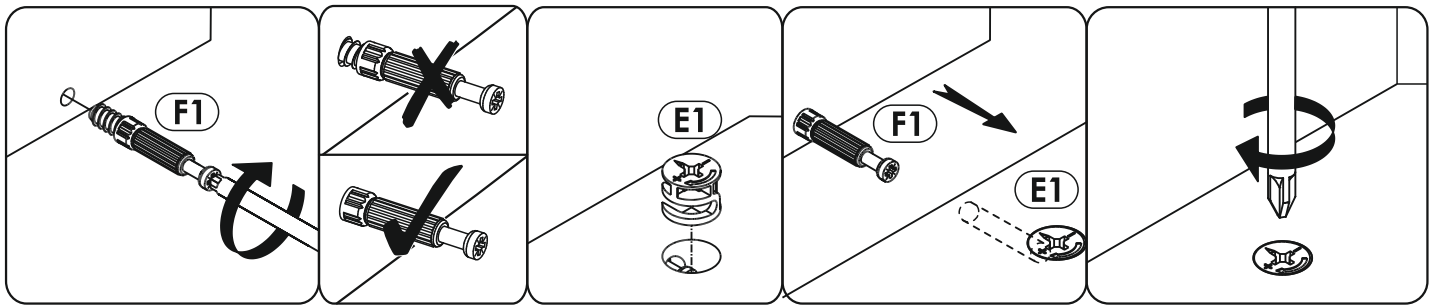
7	796	100	22 x2	1/2
8	1300	100	22 x2	1/2
9	752	100	22 x2	2/2

LYON LYOT03

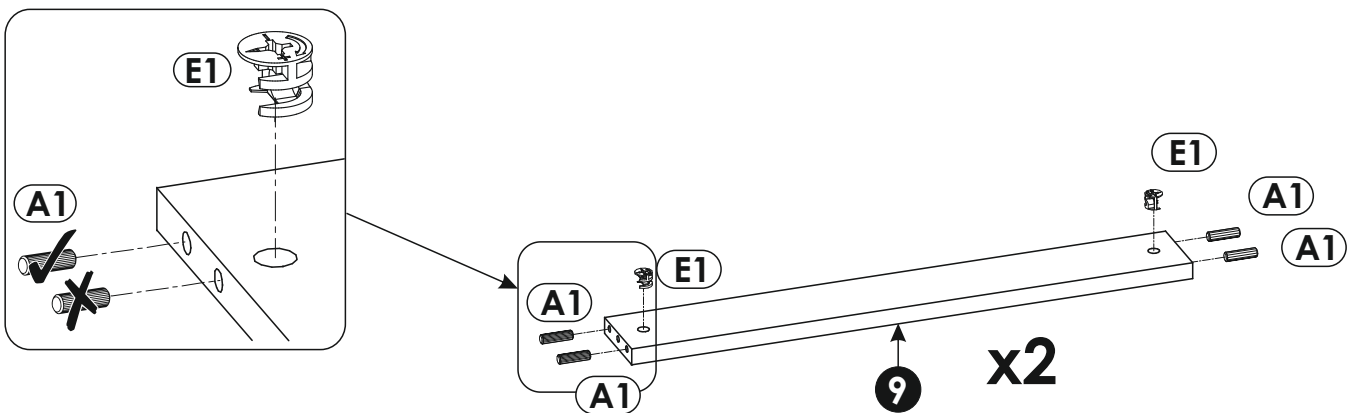
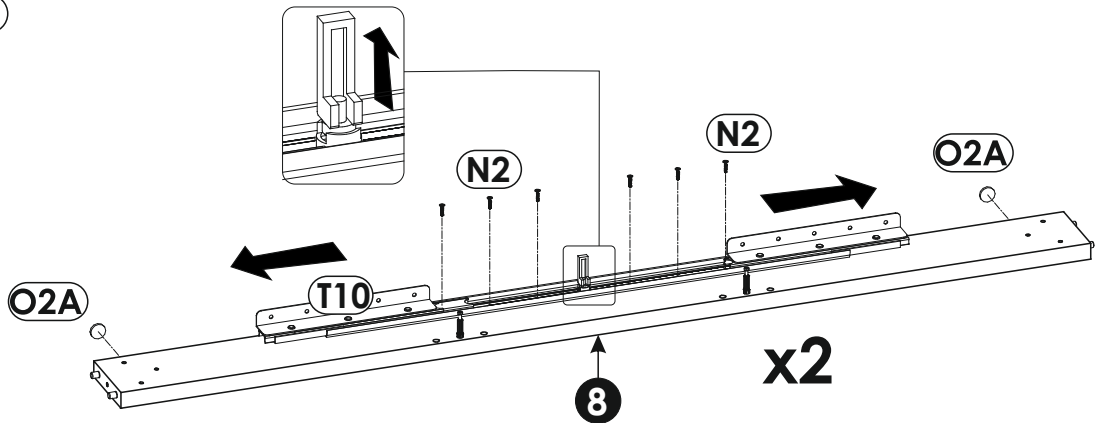
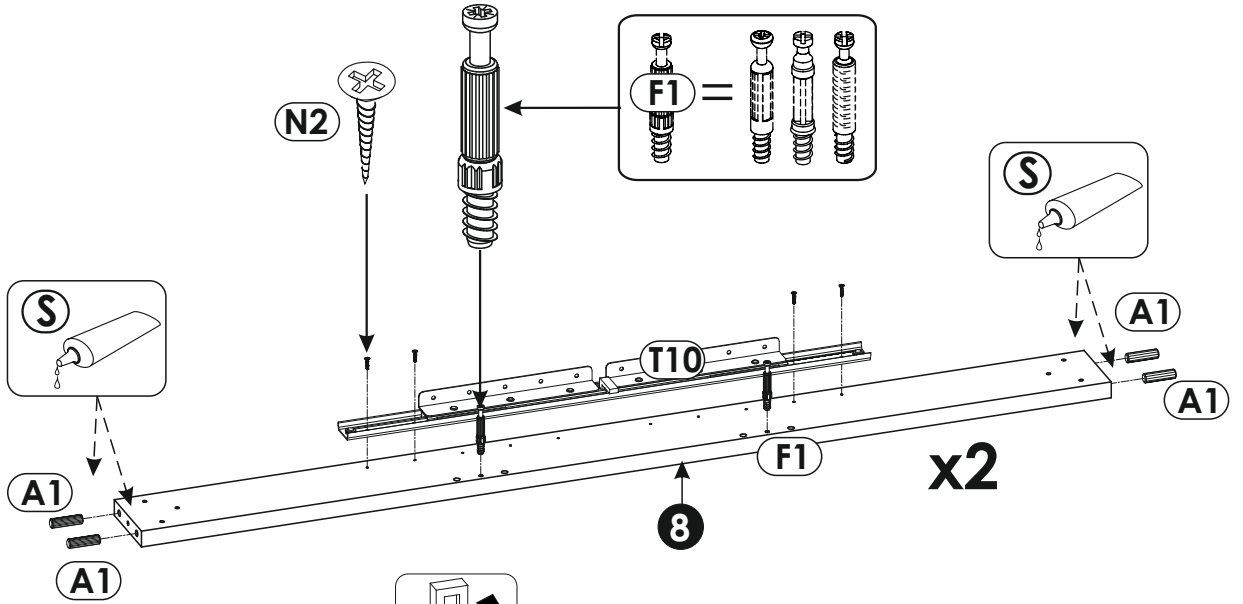


A0 8 x 24 mm x16 	A1 8 x 35 mm x24 	E1 15 x 12 mm x16 
E0  x16	F1 6 x 34 mm x16 	G2 7 x 60 mm x4 
I1 4 x 20 mm x20 	I12 4 x 40 mm x24 	M  x1
N2 3,5 X 16 mm x20 	O2  x8	O2A ø20 x4 
R8  x8	S  x1	T10 L-700 x2 

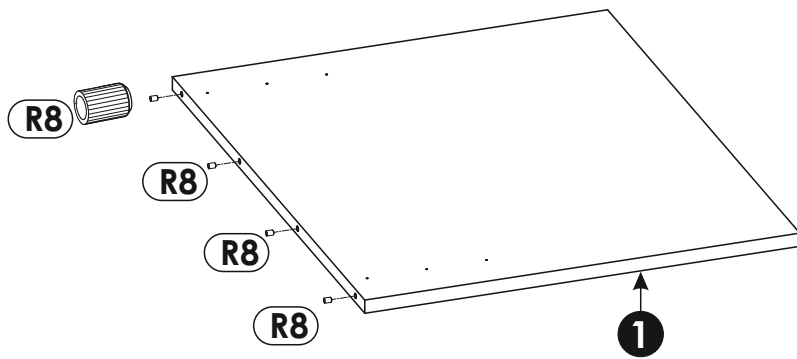
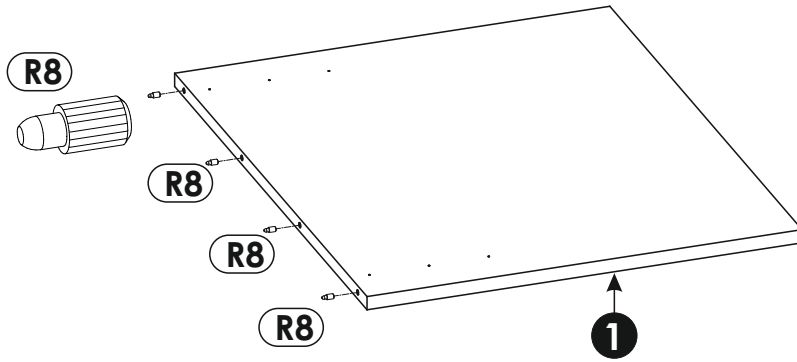
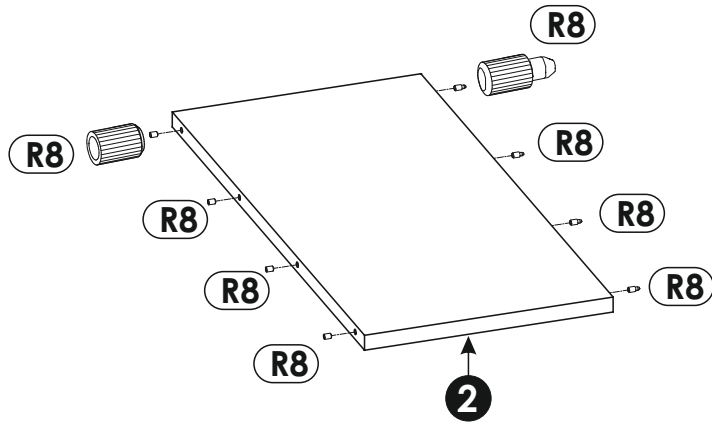




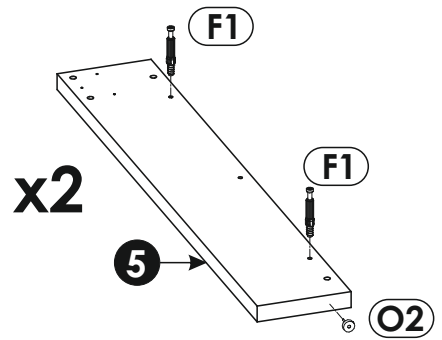
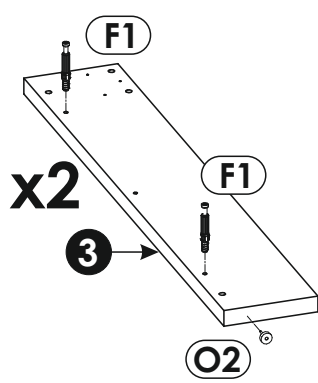
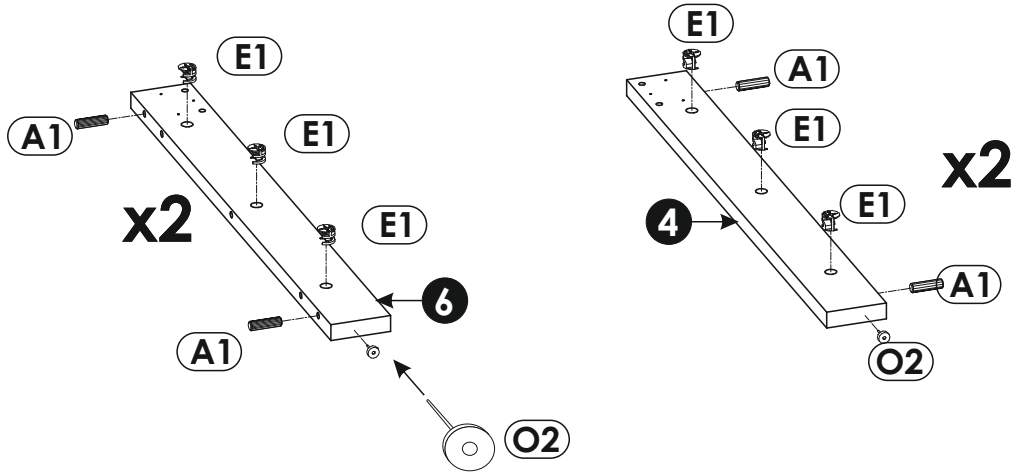
1 ▶



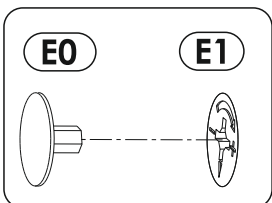
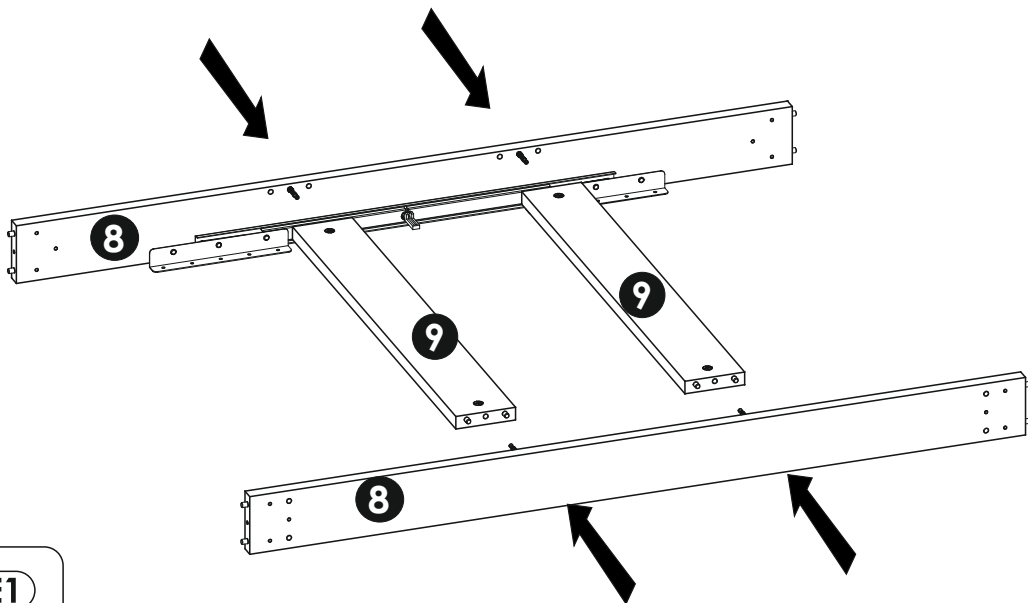
2▶



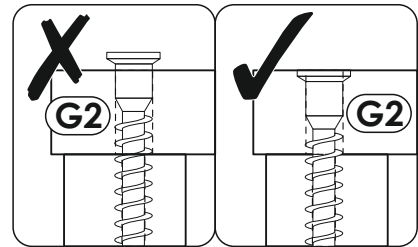
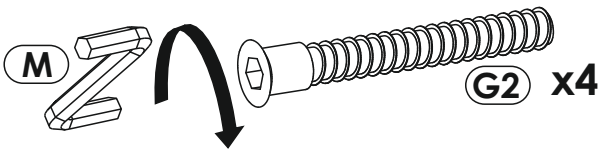
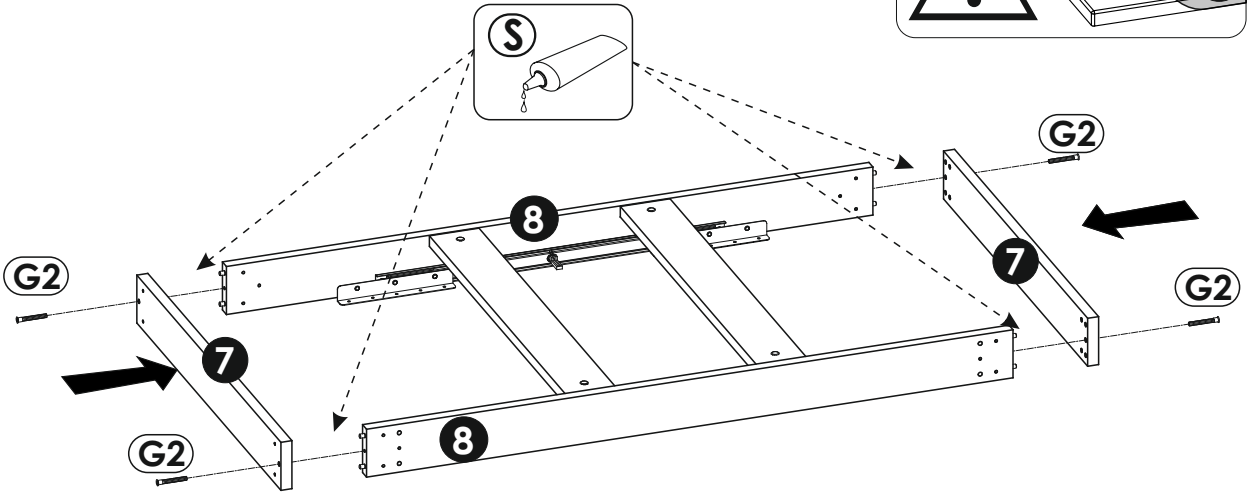
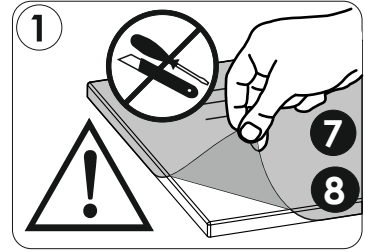
3 ▶



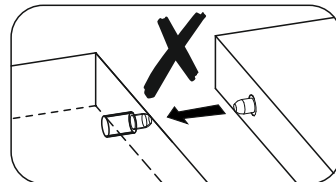
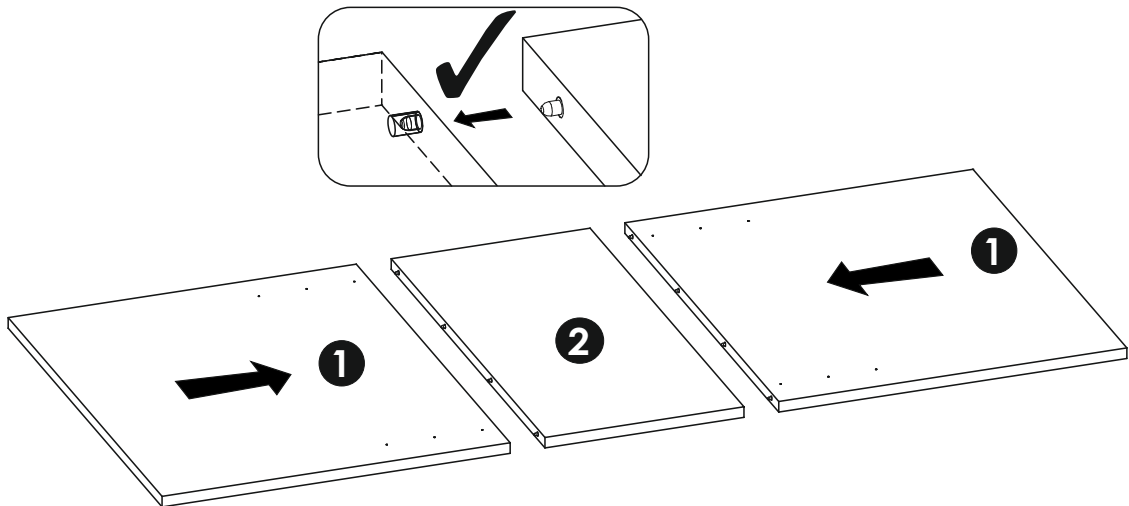
4 ▶



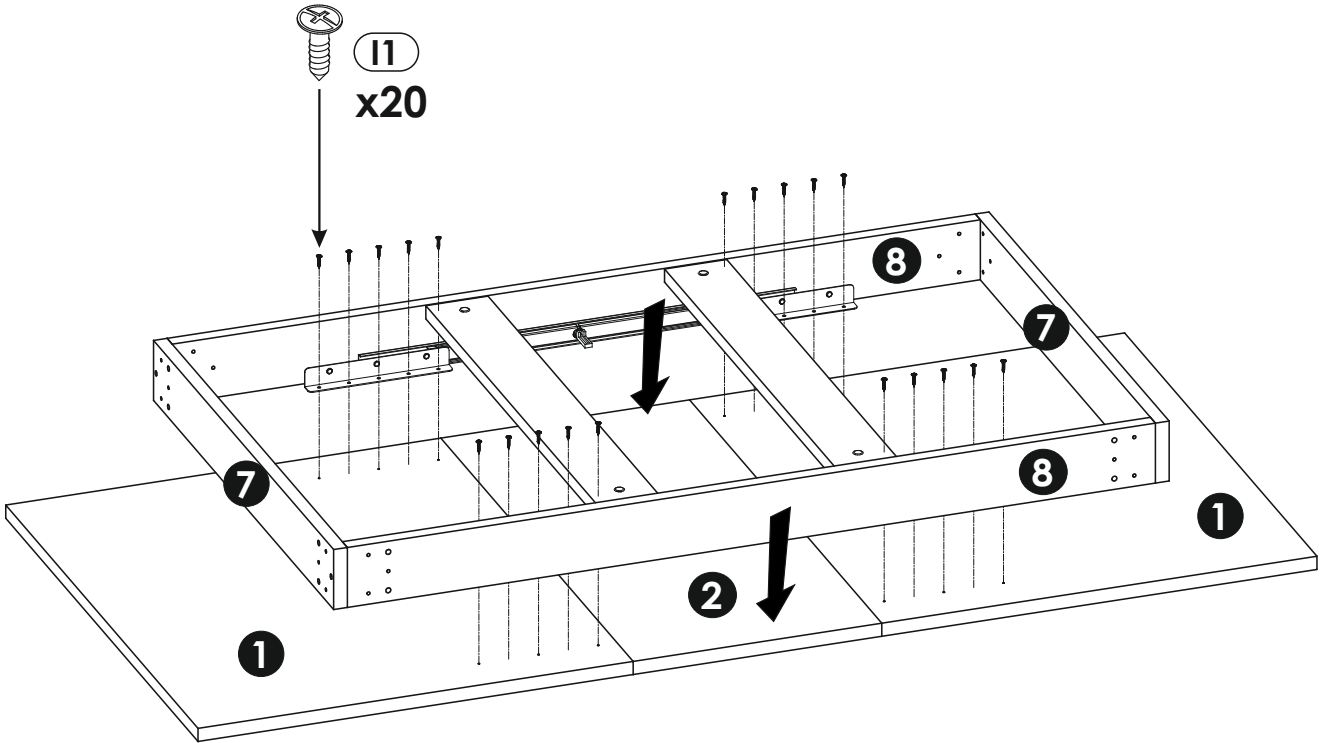
5 ▶



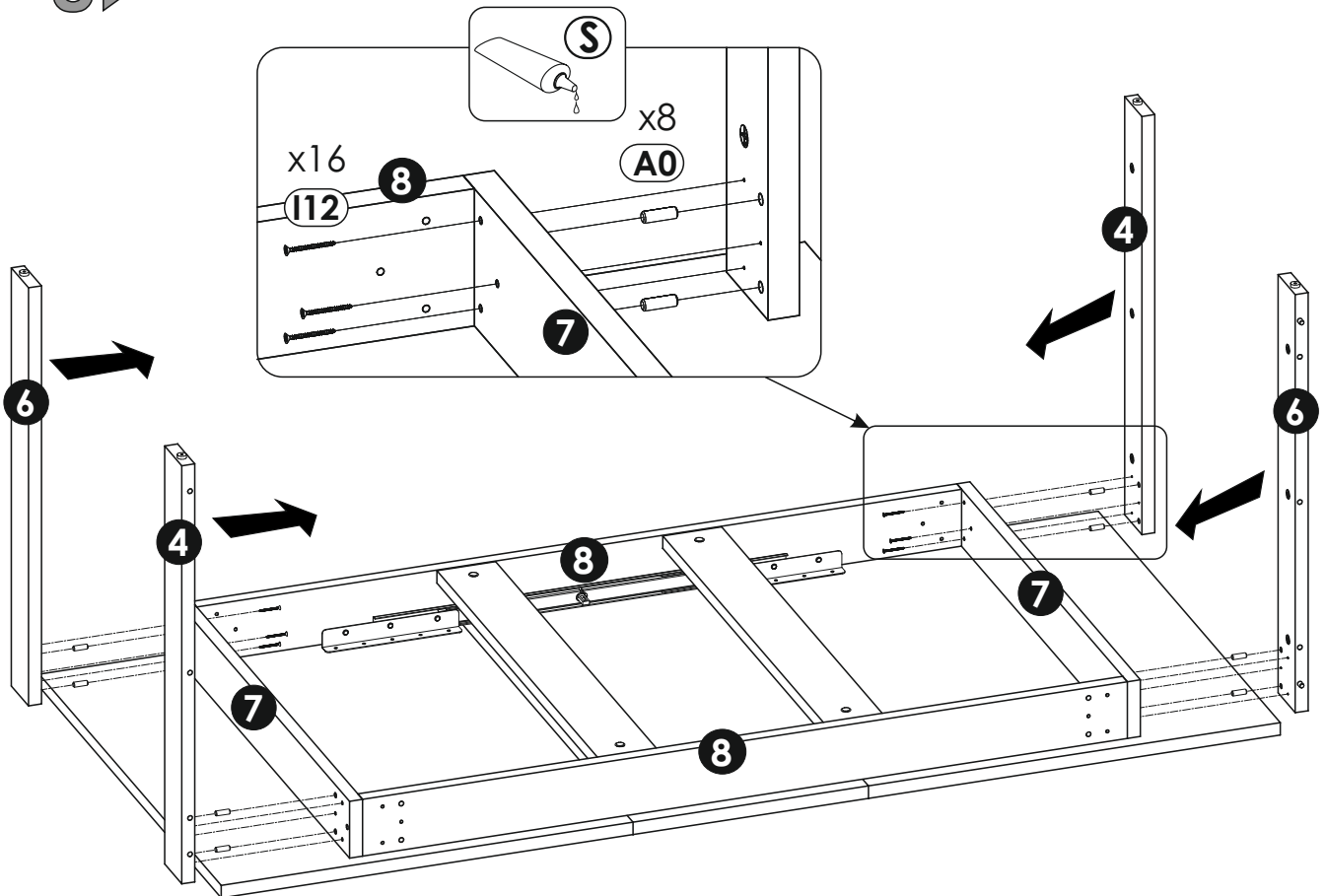
6 ▶

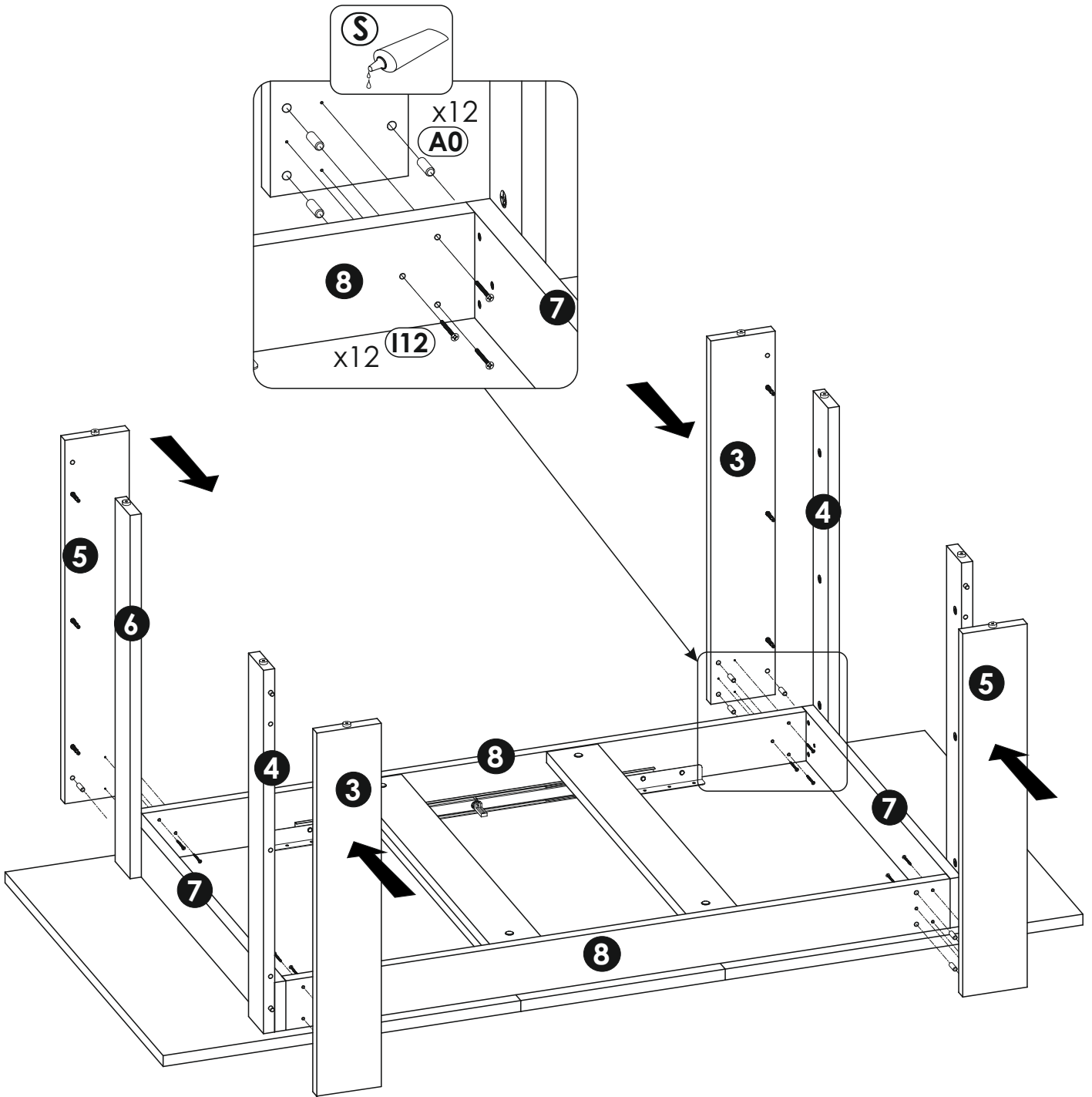


7 ▶

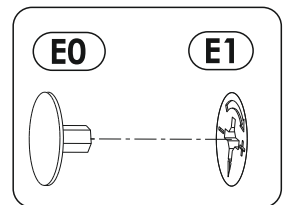


8 ▶

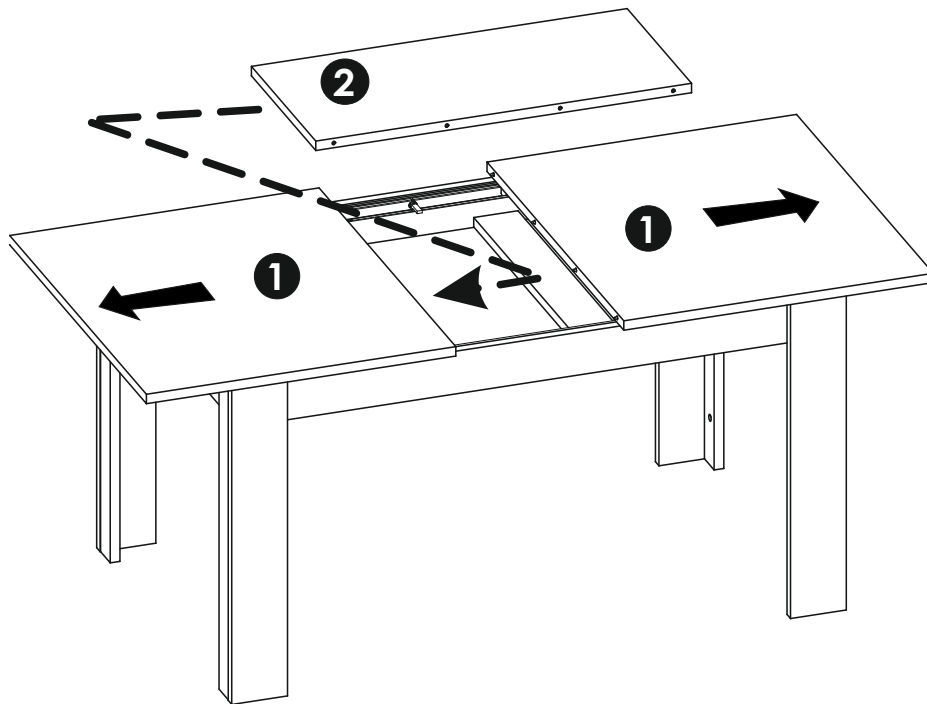




30min



10 ▶



11 ▶

