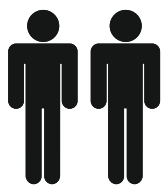
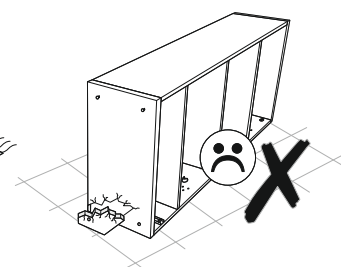
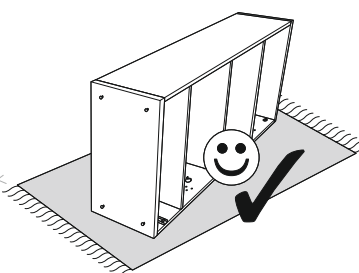
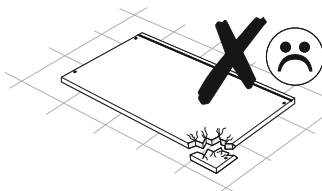
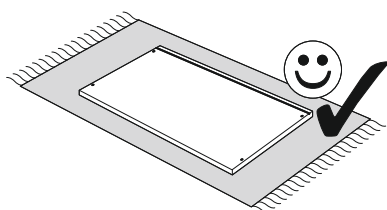
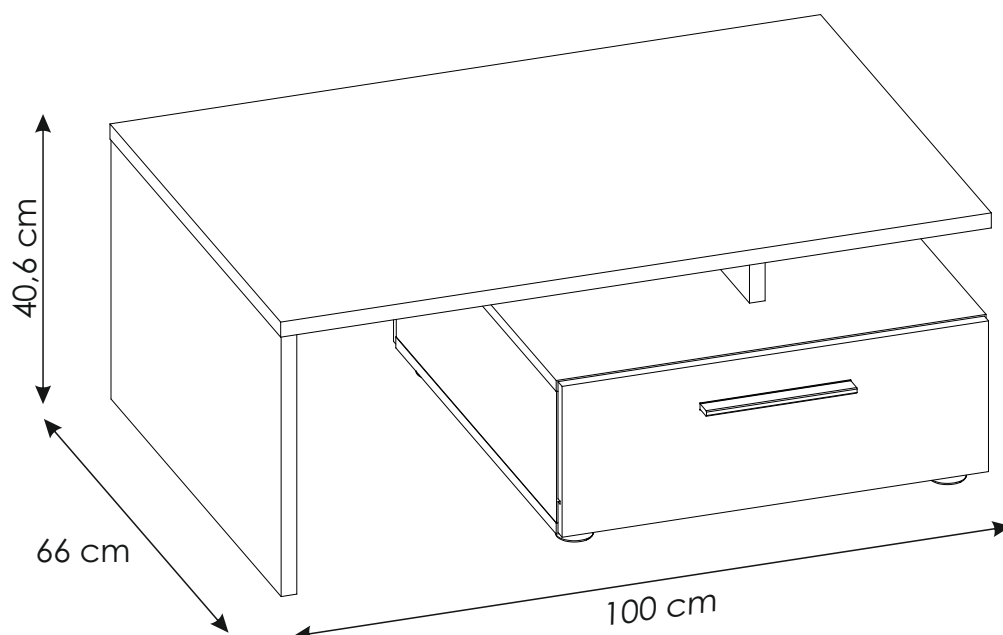
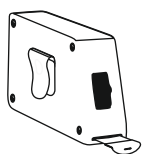
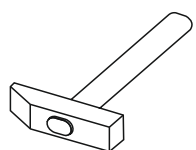
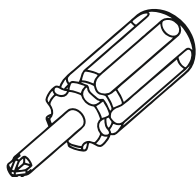
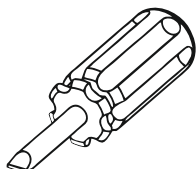
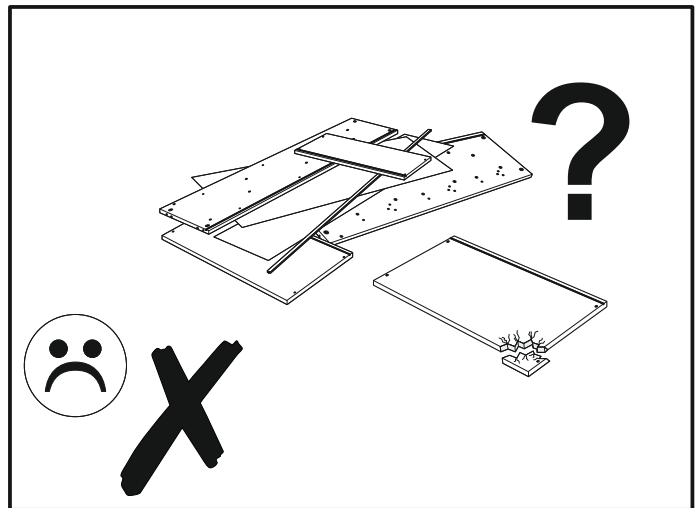
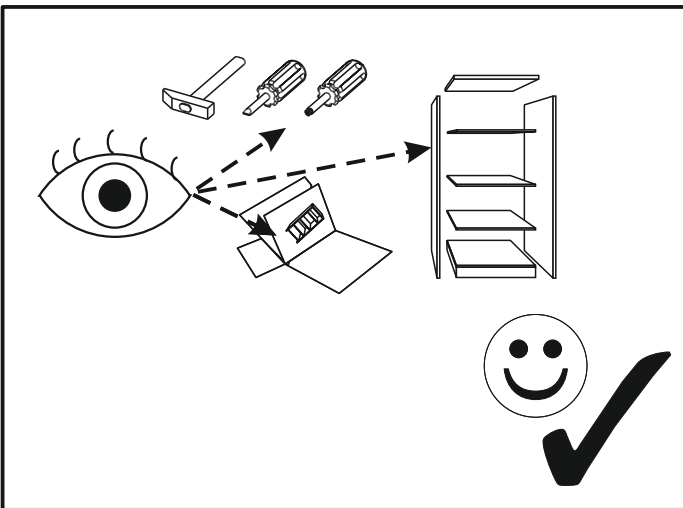
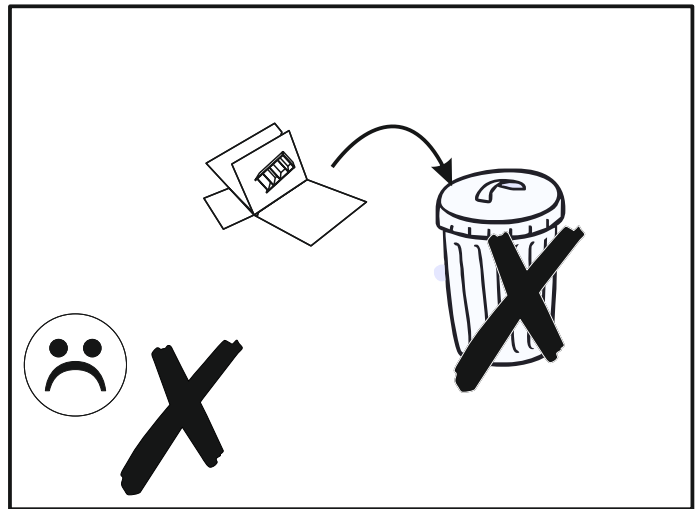


4337167



40 min

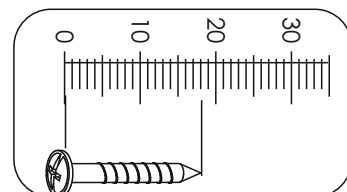




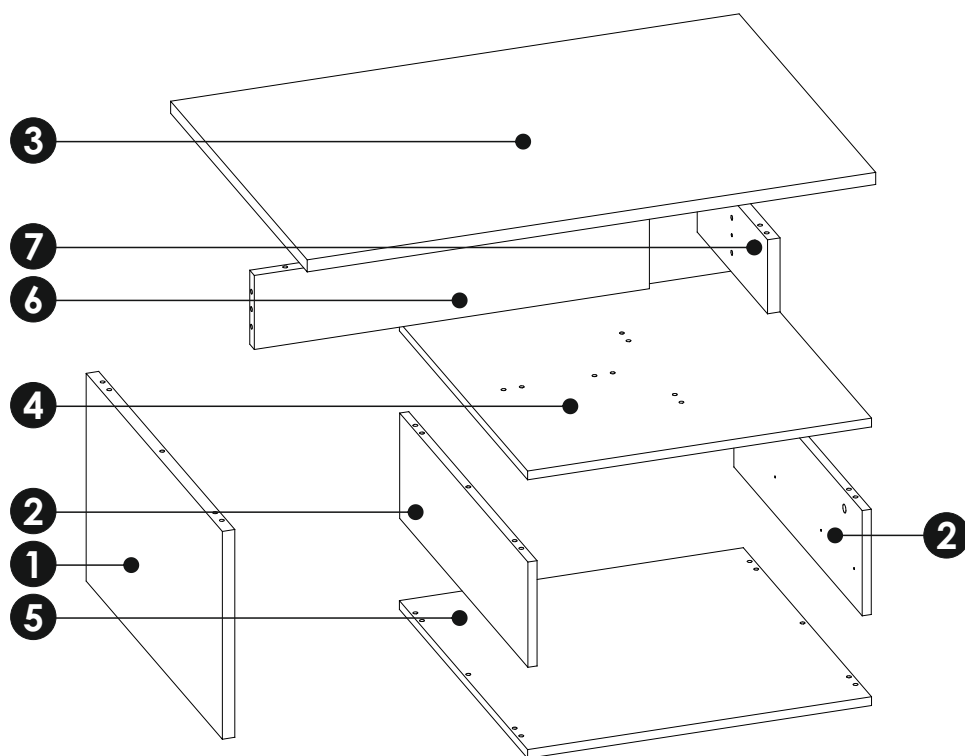
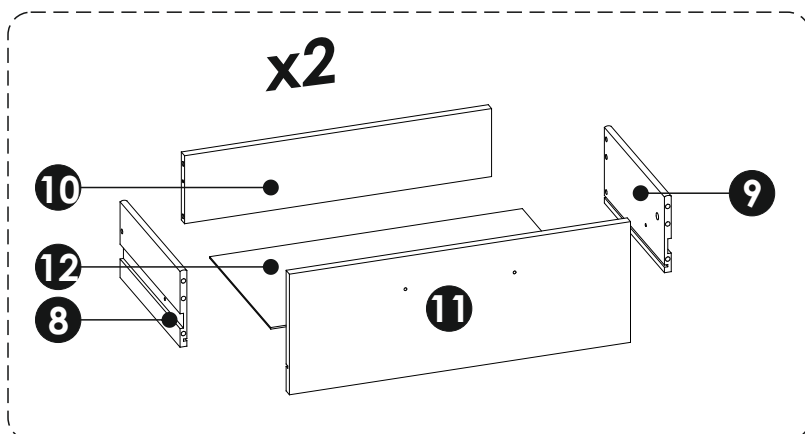
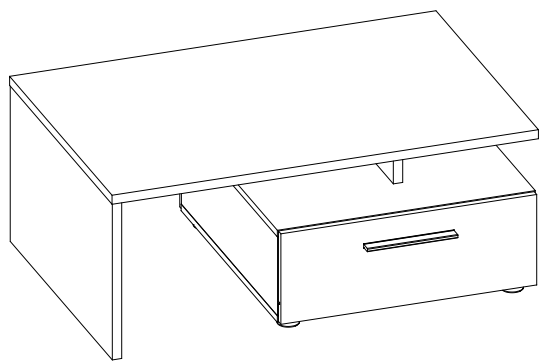
ZINTO1

MM

A1	8 x 35 mm	x36	C2	5 x 13 mm	x8	E0		x12
E1	15 x 12,5 mm	x12	E3	12 x 10 mm	x4	F1	6 x 34 mm	x16
G0		x12	G1	7 x 50 mm	x12	H1	L- 212	x2
I3	3,5 x 27 mm	x4	I10	3,5 x 22 mm	x4	K1	4 x 9 mm	x4
M		x1	N1	3 X 16 mm	x10	O1		x4
O2		x3	R4		x2	R8		x4
T3		x4						

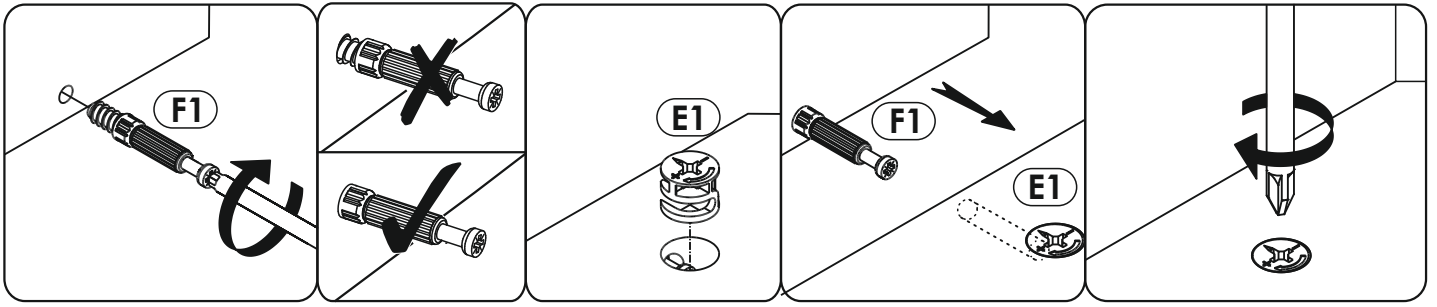


ZINT01

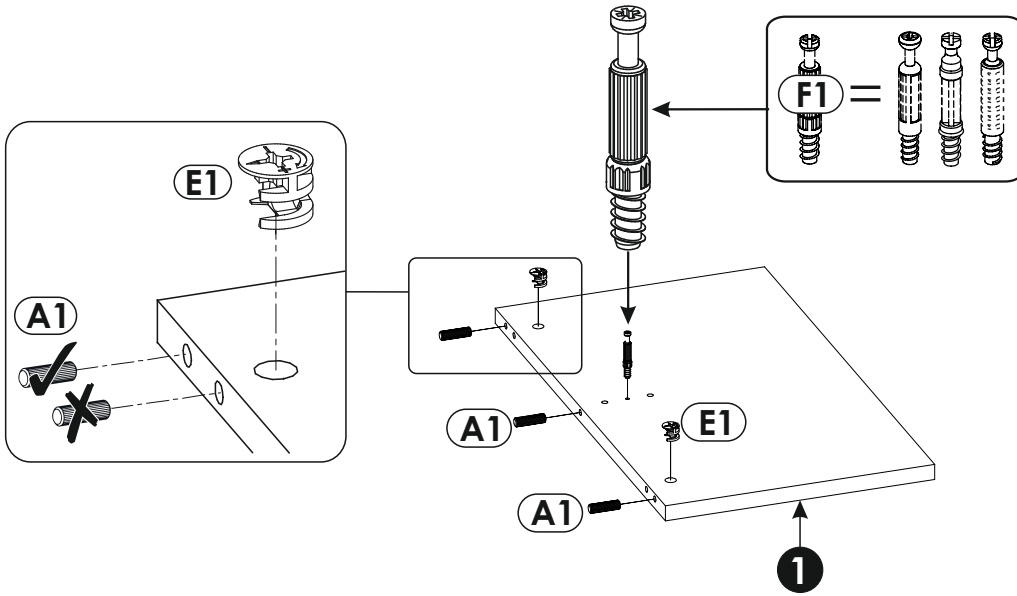


1	379	658	22	x1	2/2
2	192	618	16	x2	1/2
3	1000	660	22	x1	2/2
4	605	620	16	x1	1/2
5	605	620	16	x1	1/2
6	695	135	22	x1	2/2
7	340	135	22	x1	2/2

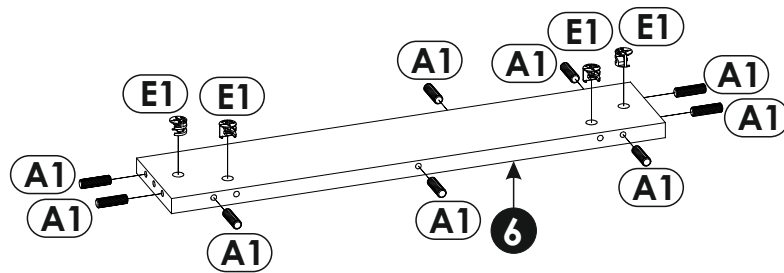
8	290	140	12	x2	2/2
9	290	140	12	x2	2/2
10	540	124	16	x2	1/2
11	600	220	16	x2	1/2
12	550	295	3	x2	1/2



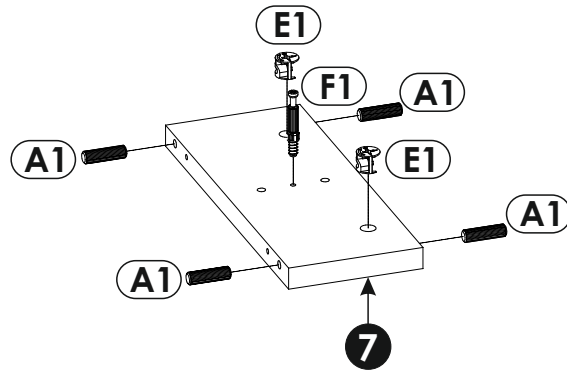
1 ▶



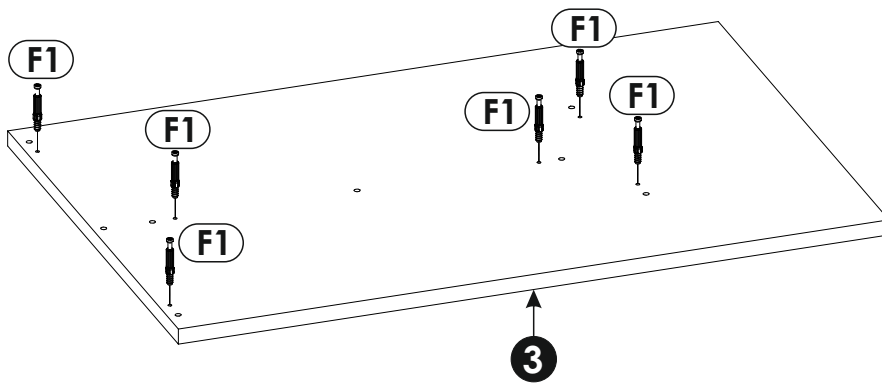
2 ▶



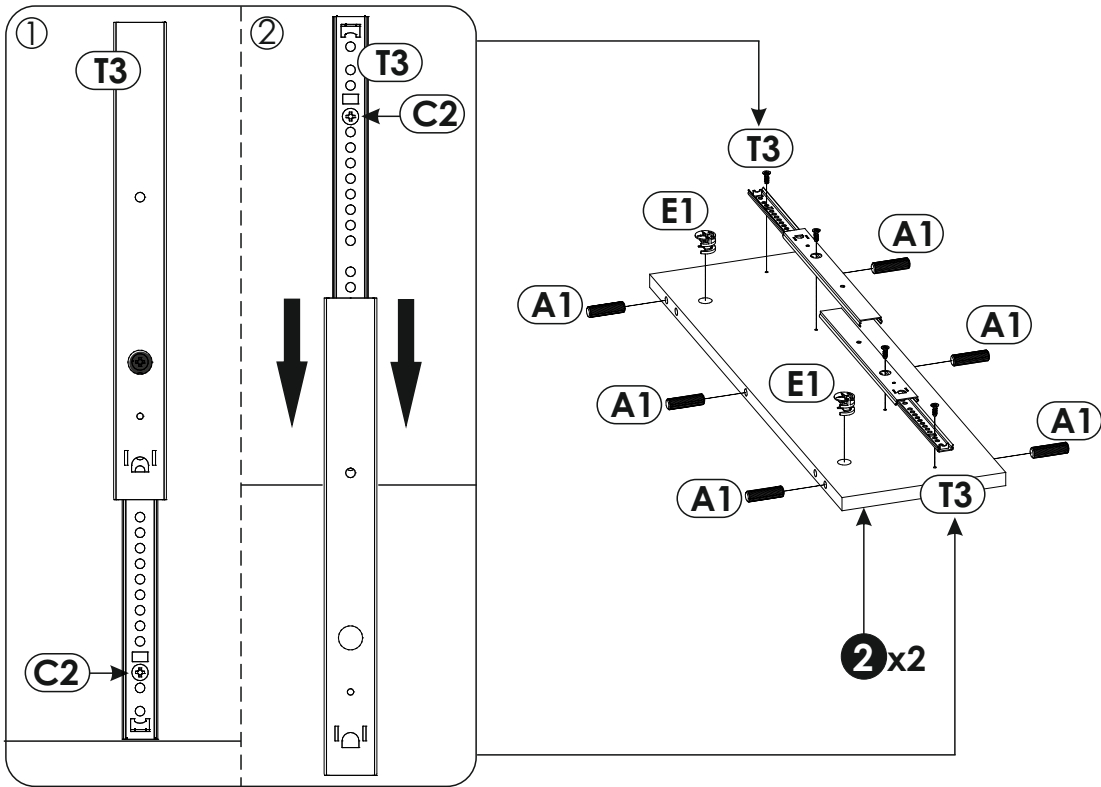
3▶



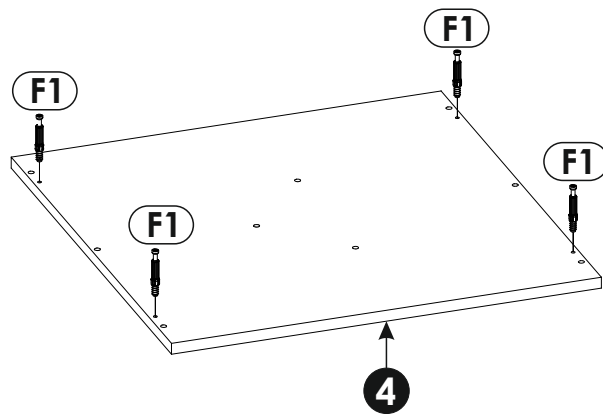
4▶



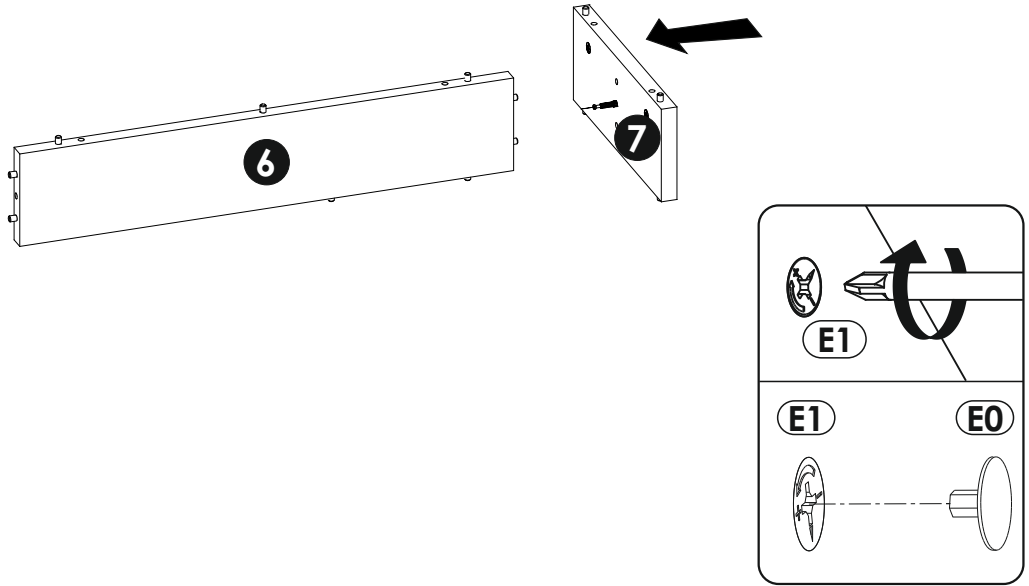
5 ▶



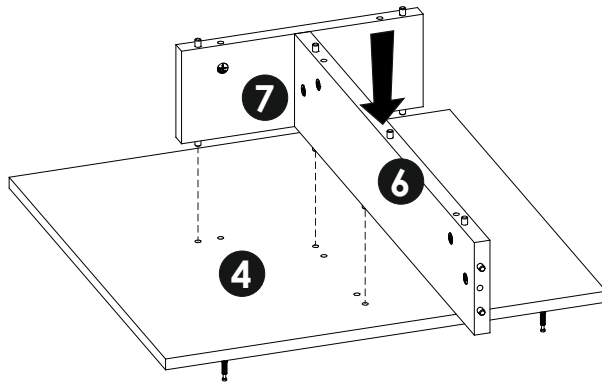
6 ▶



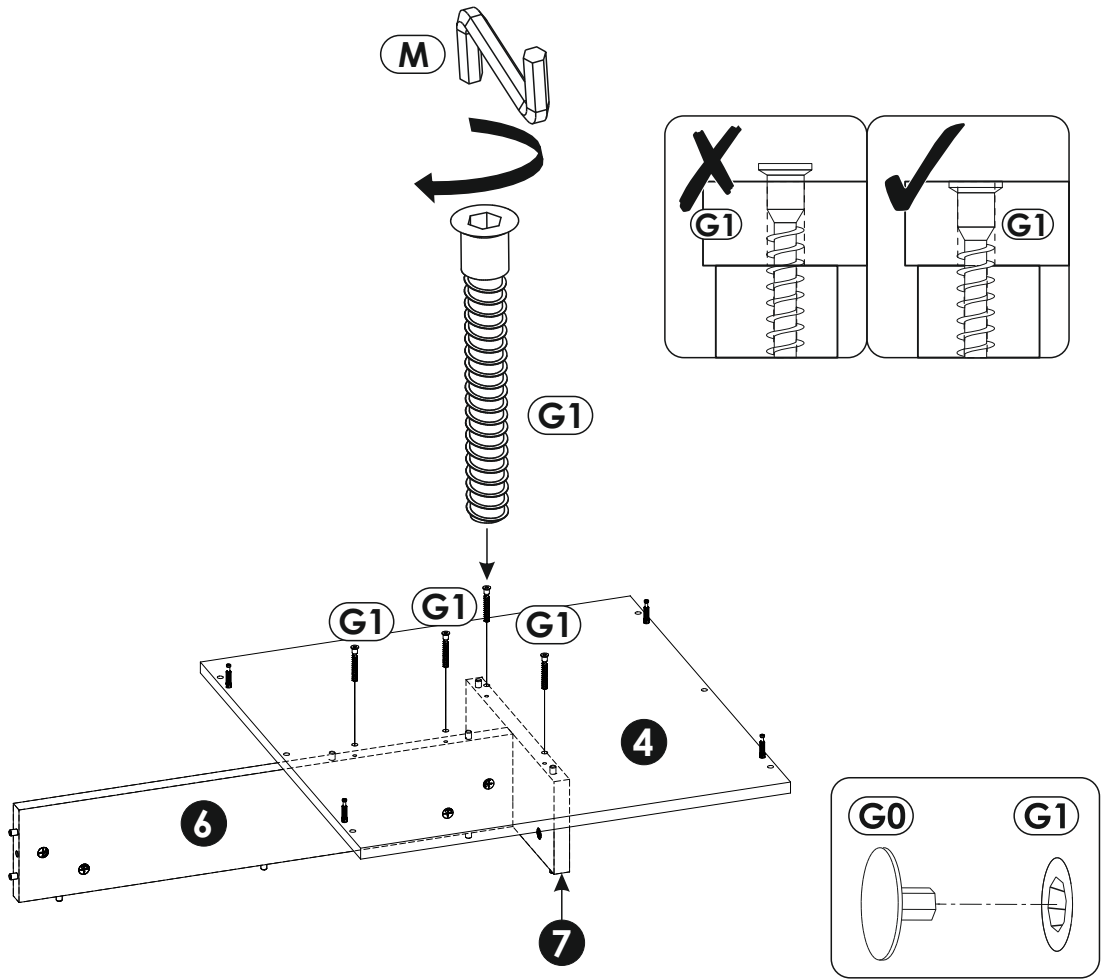
7 ▶



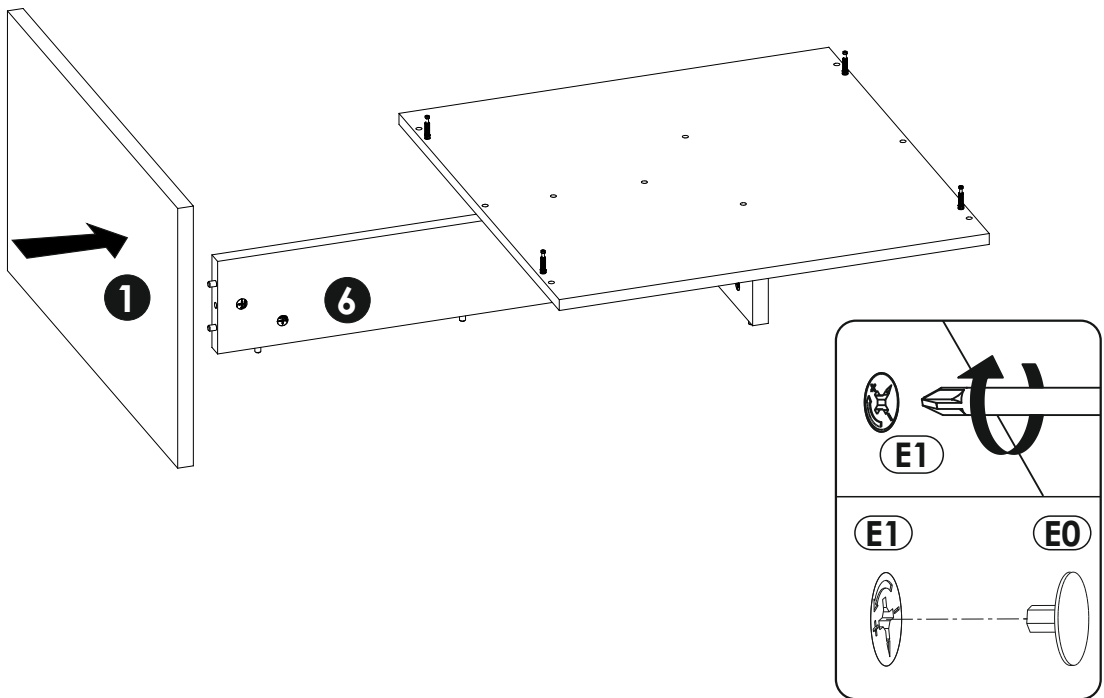
8 ▶



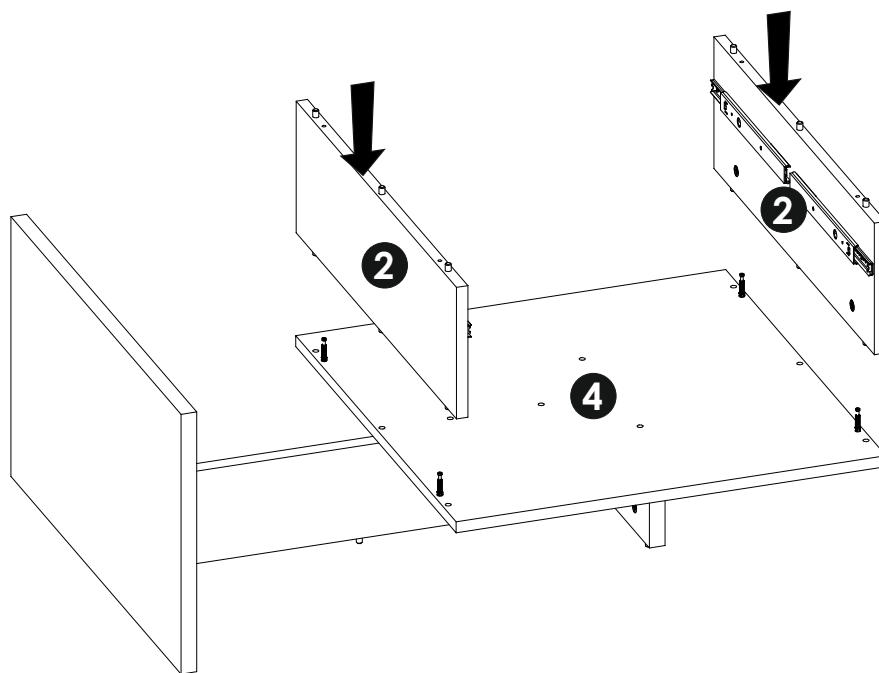
9 ▶



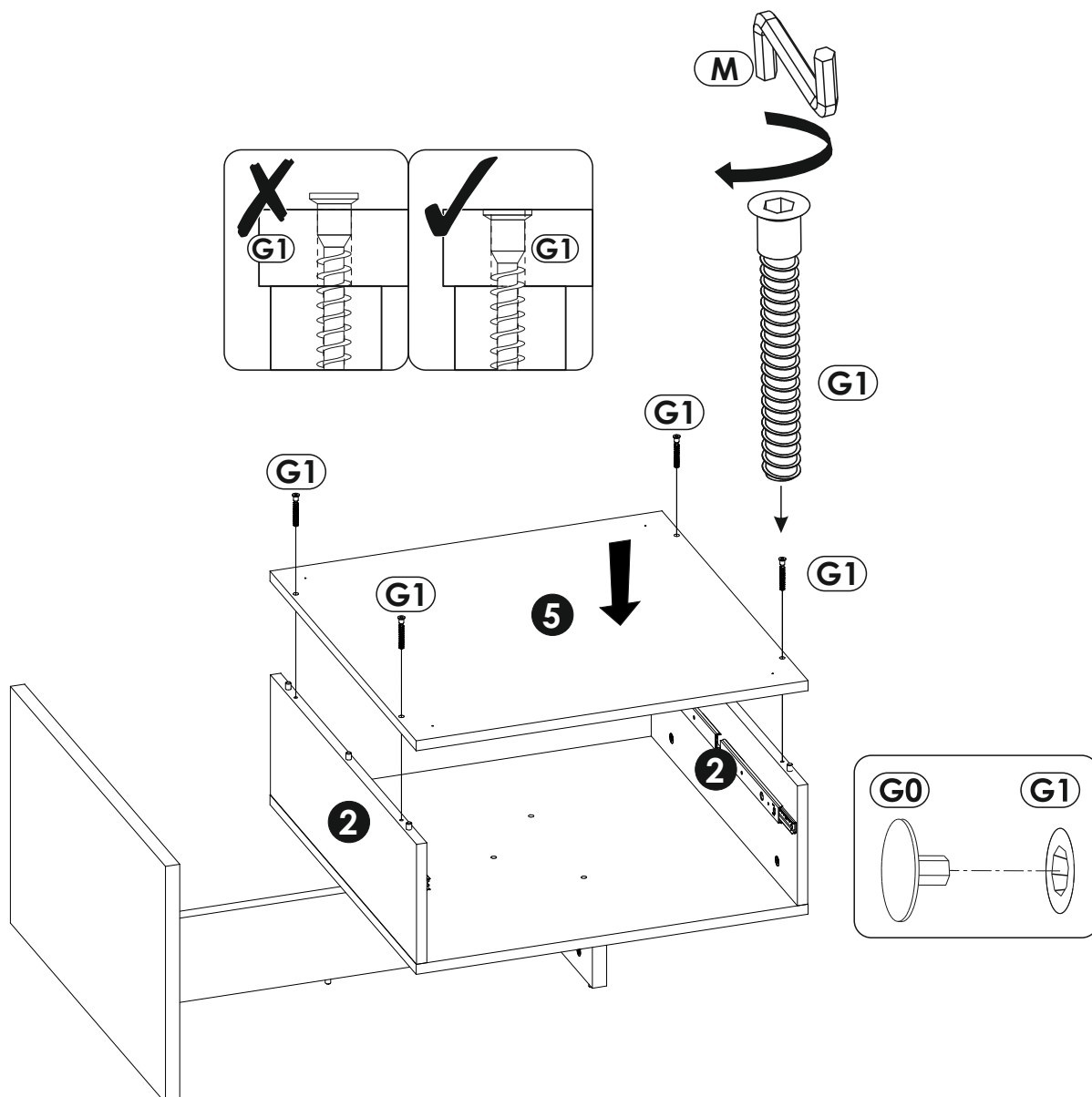
10 ▶



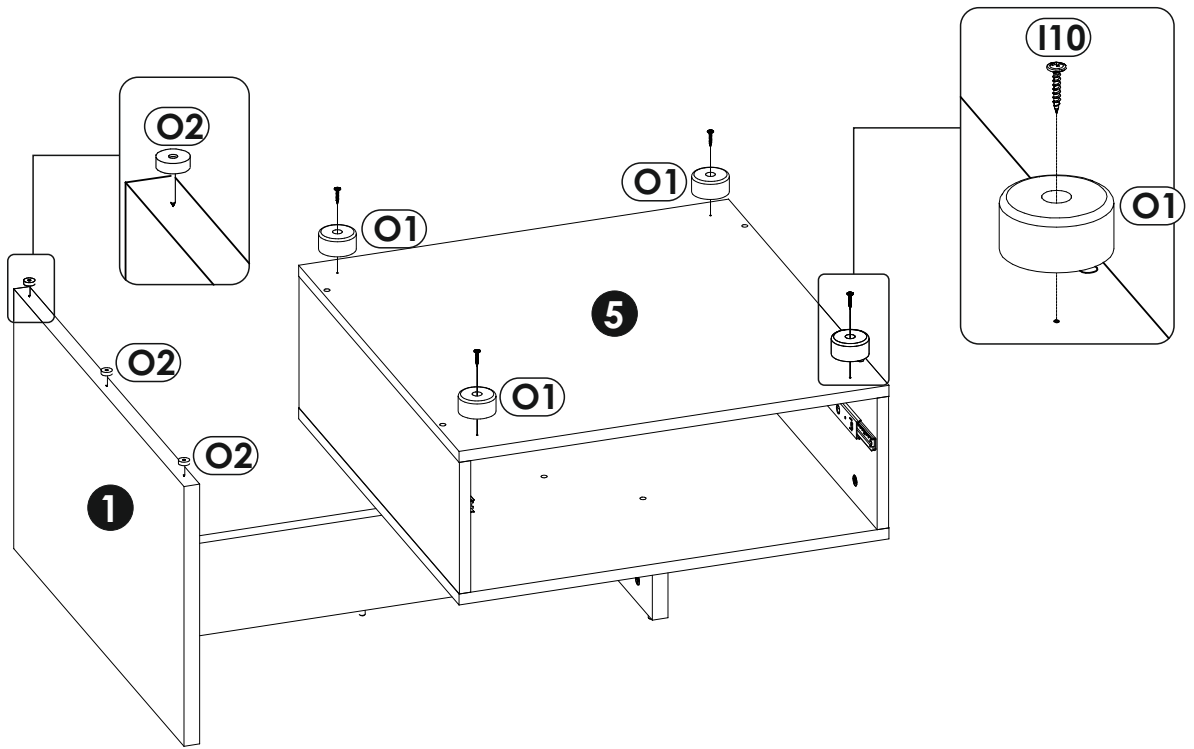
11▶



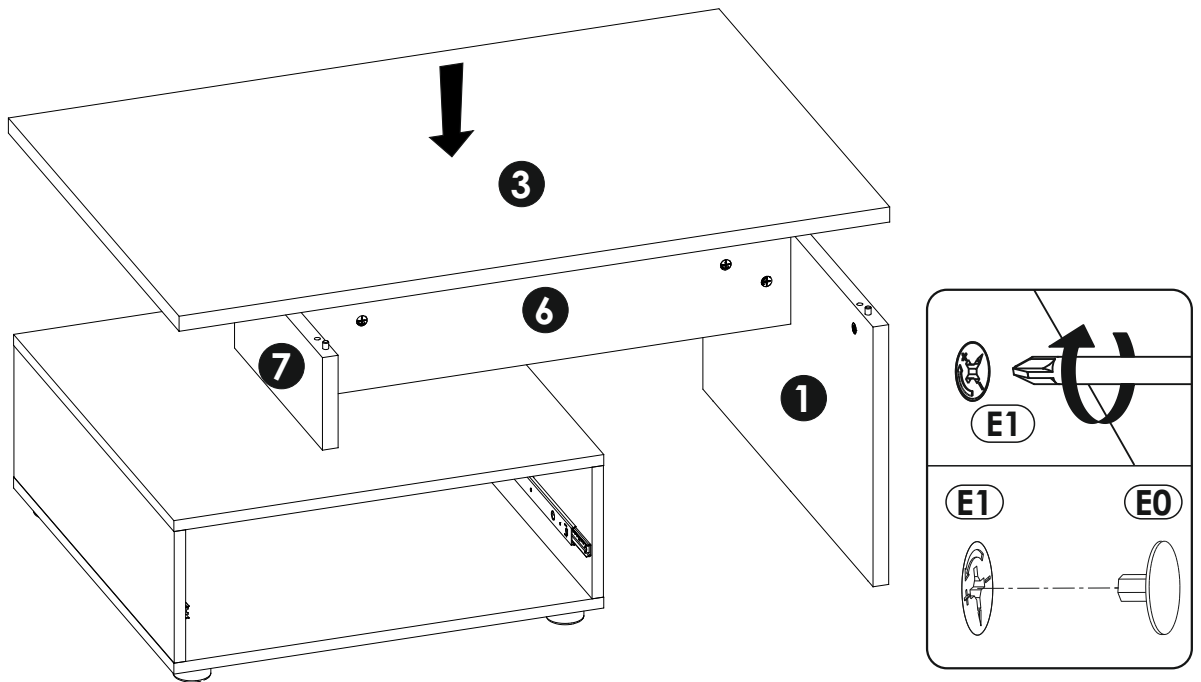
12▶



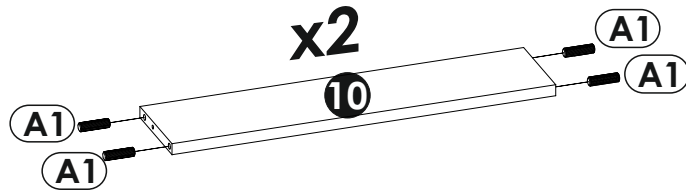
13▶



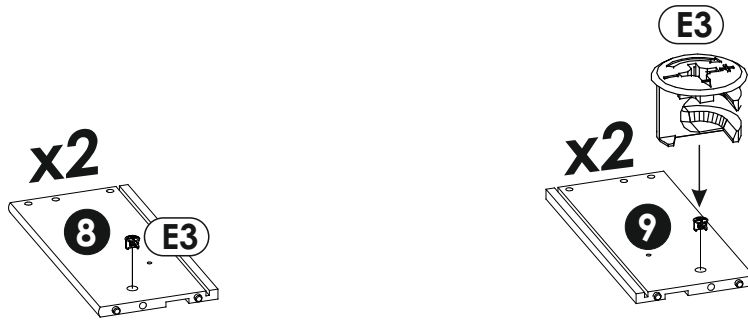
14▶



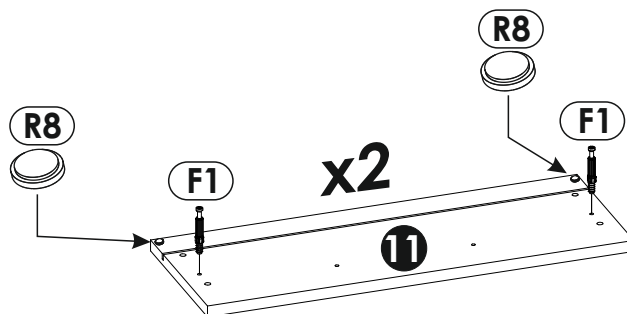
15▶



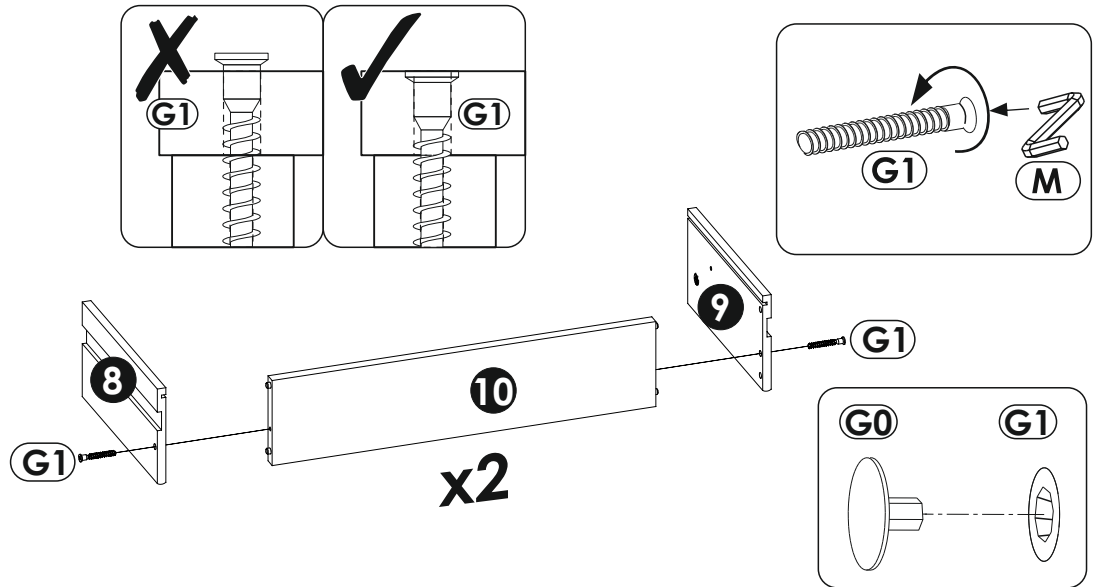
16▶



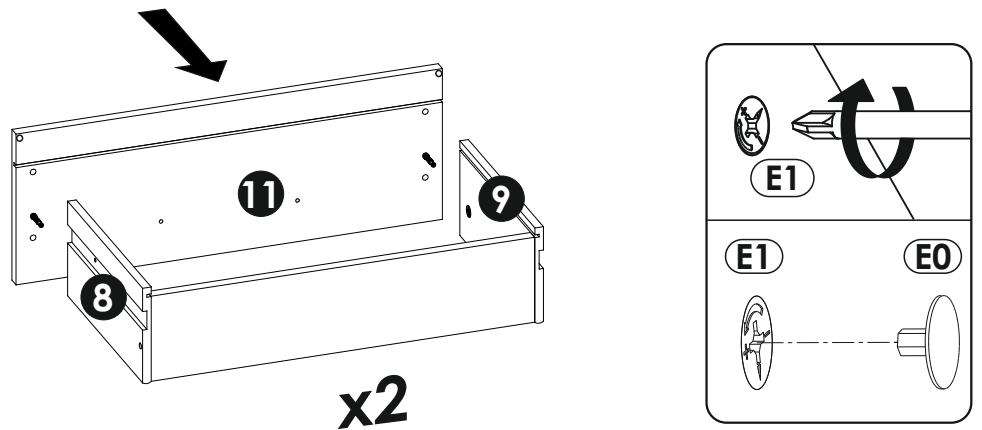
17▶



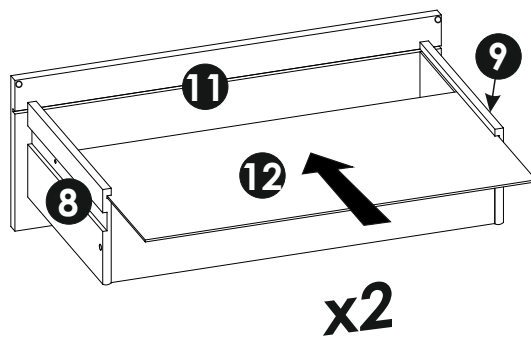
18▶



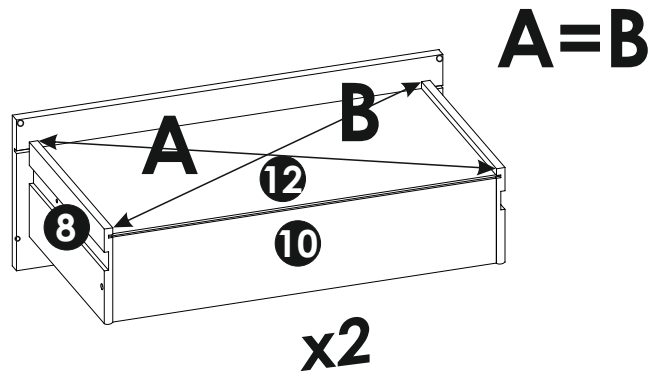
19▶



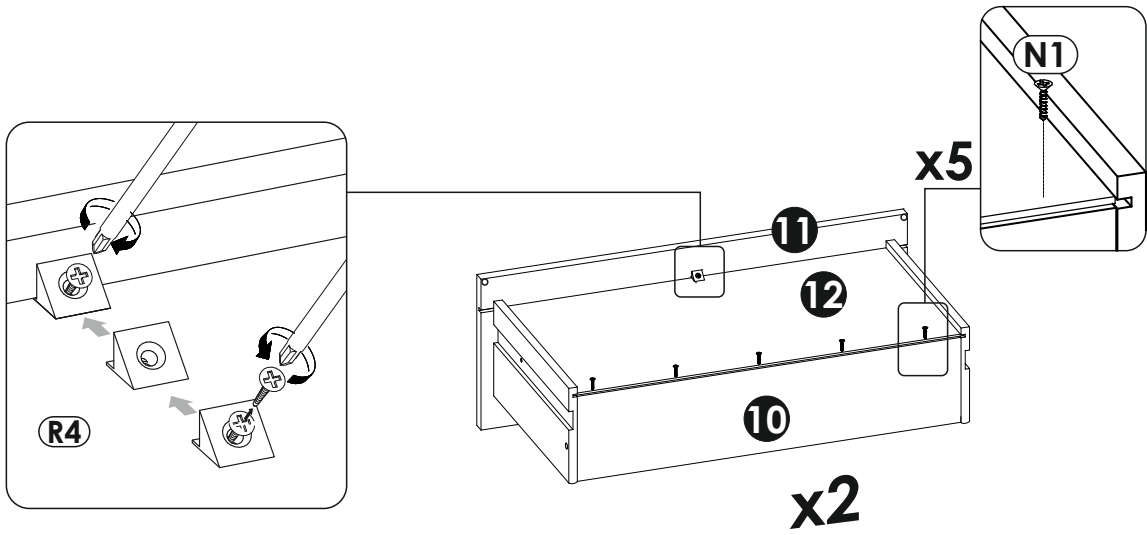
20▶



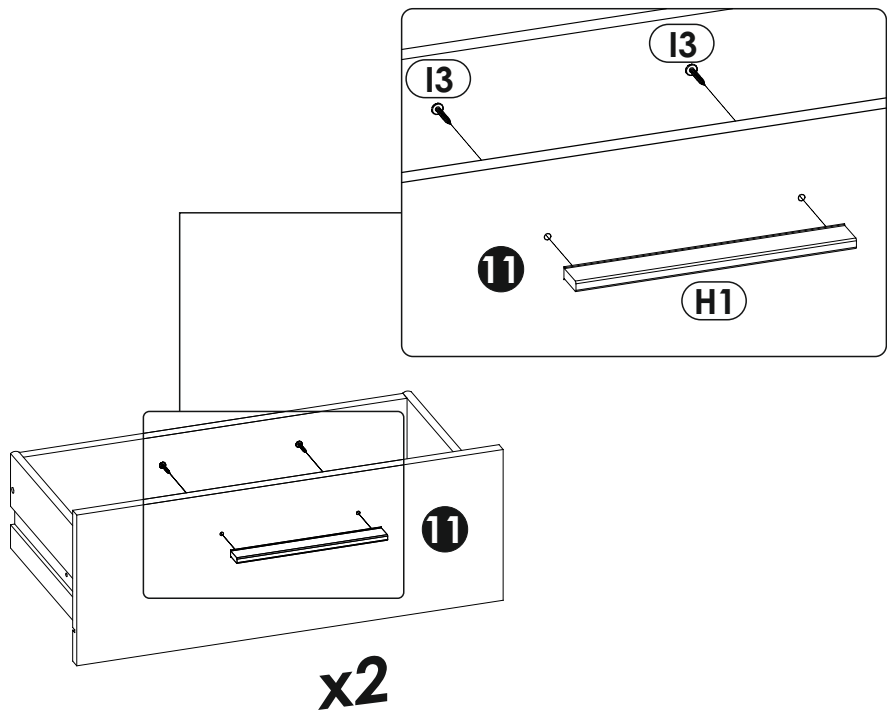
21▶



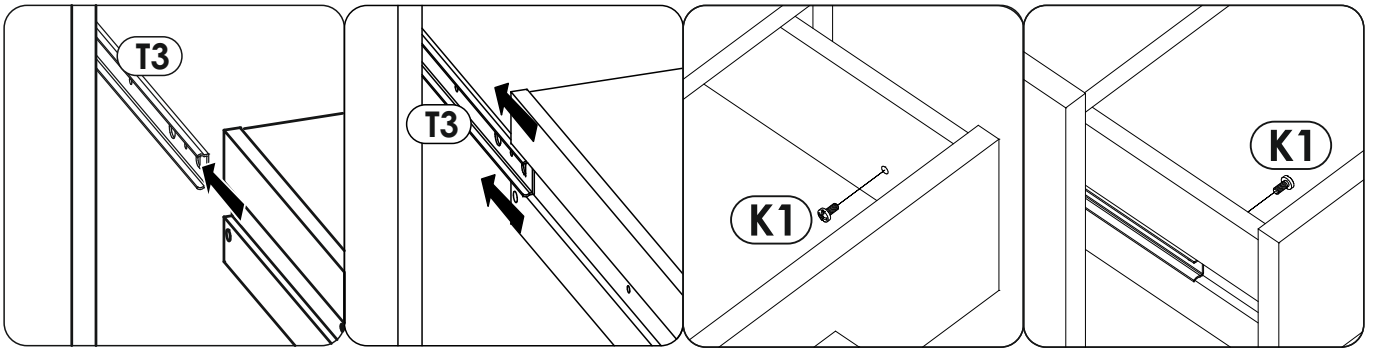
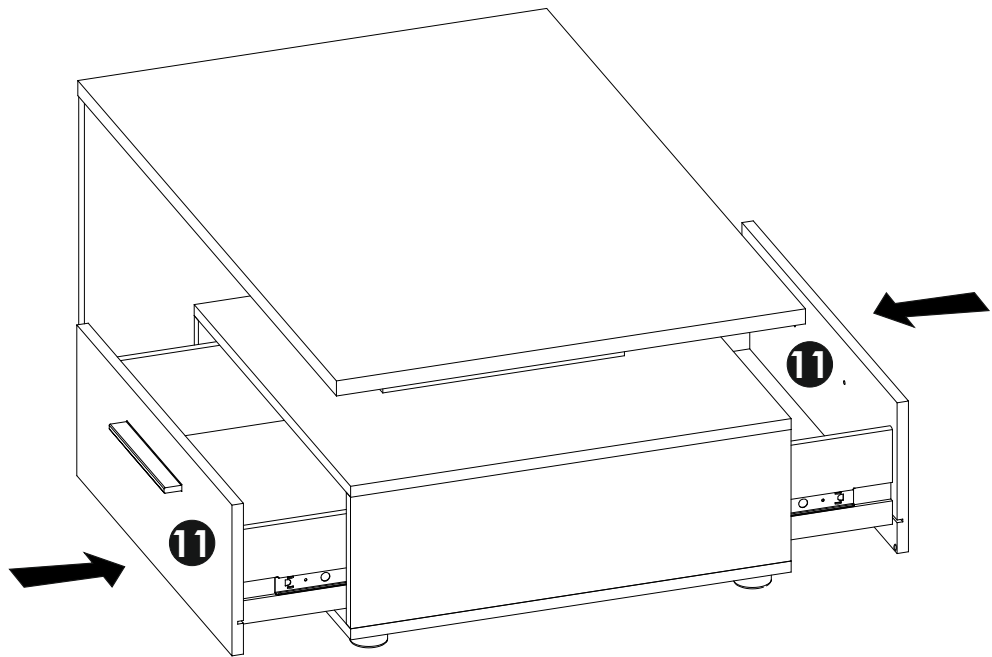
22▶



23▶



24▶



25▶

