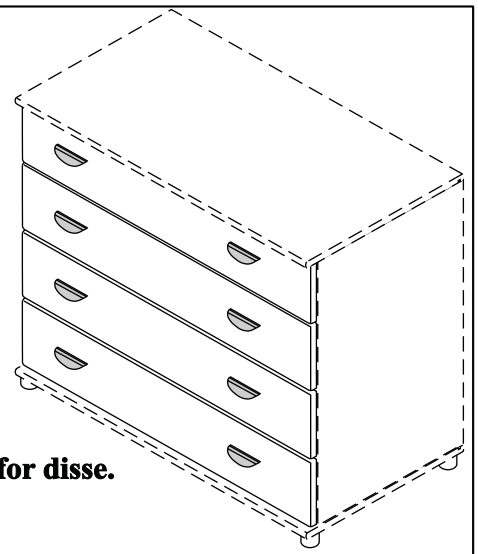


Stompa®

WWW.STOMPA.COM

Art.nr. 188

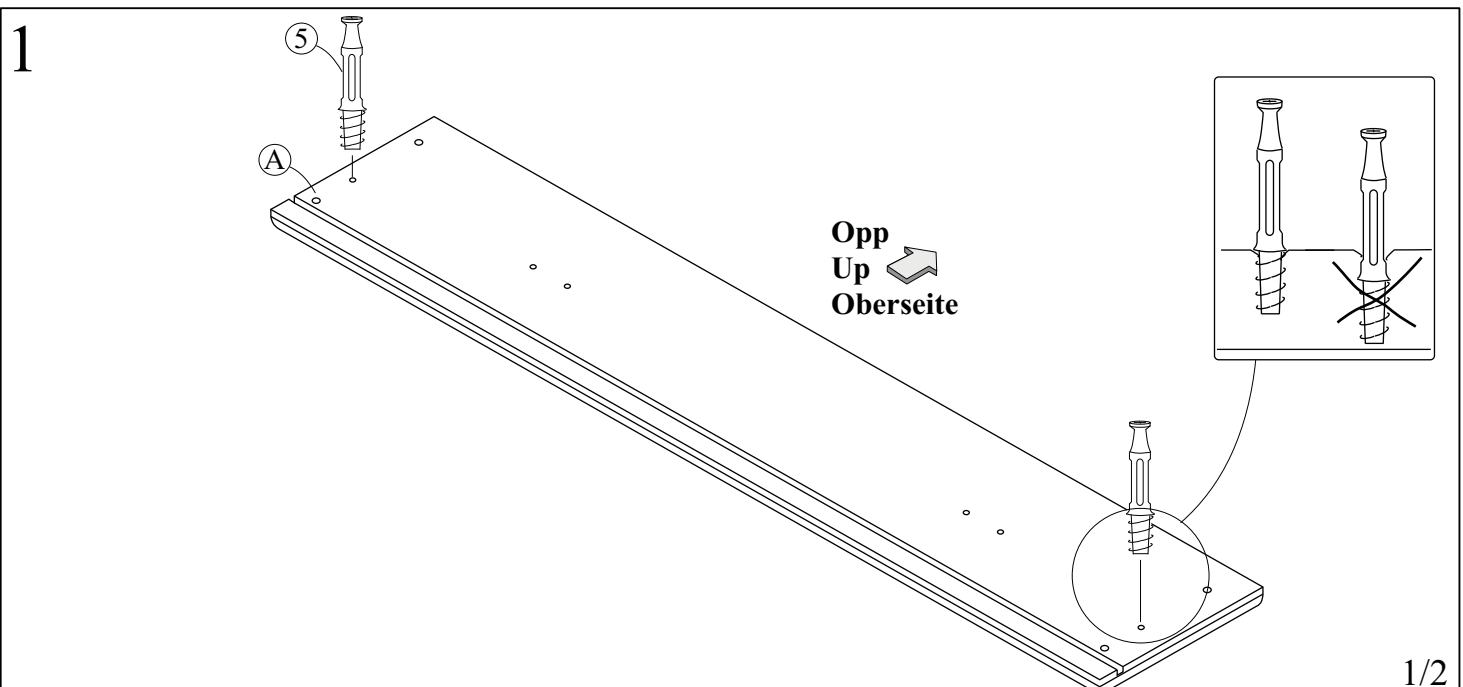
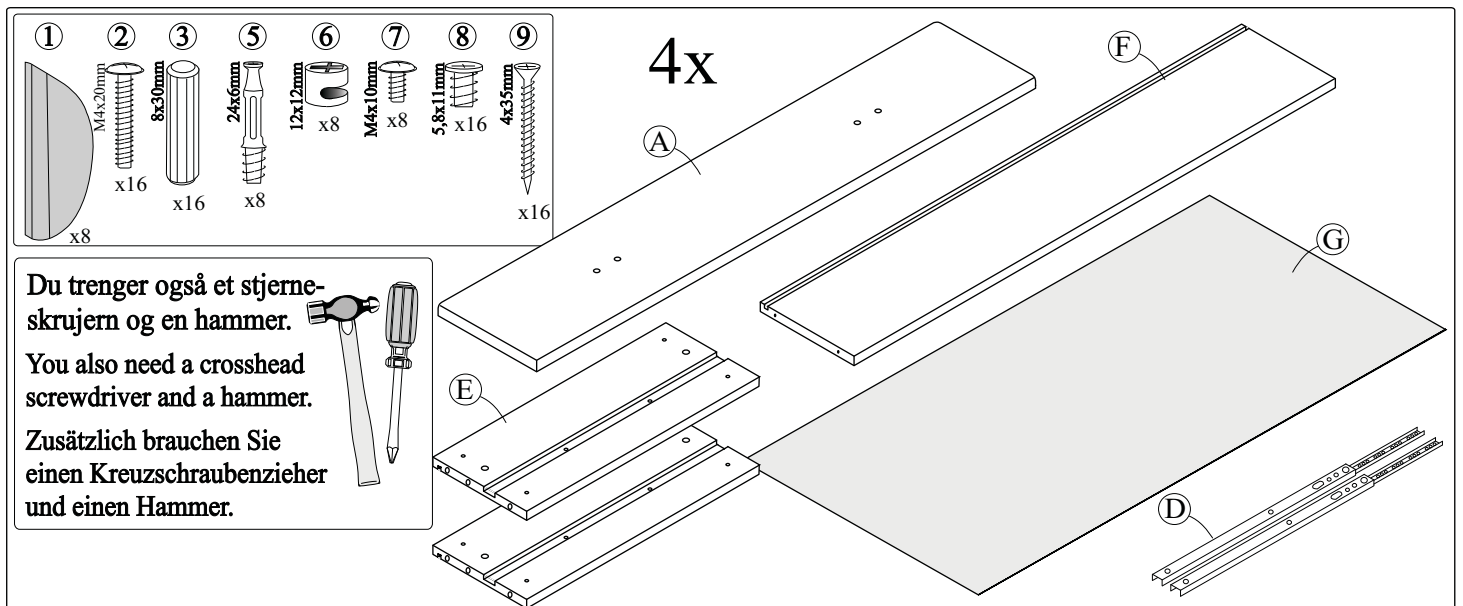
- Ⓝ Skuffe
- ⓄB Drawer
- ⓄD Schublade



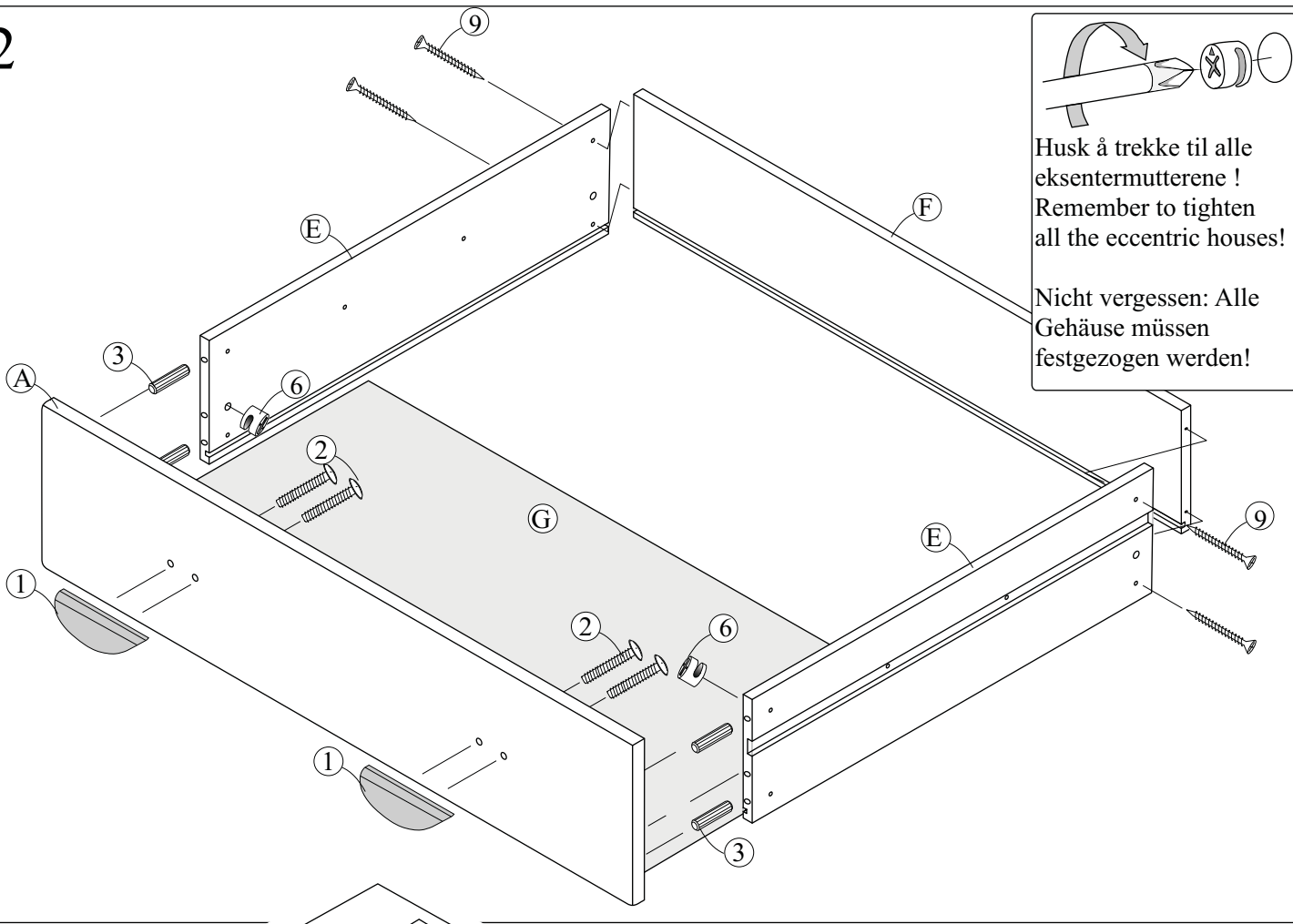
Skuffen passer på flere av Stompas reoler, og vi viser derfor til anvisning for disse. Tegnningene kan derfor avvike noe fra den reolen du har.

The drawer will fit on several units of Stompa's shelving system. Please see separate assembly instructions. The drawings might differ a bit from the shelf unit you have.

Die Schublade passen zu mehreren von unseren Regalen. Wir verweisen auf eigene Anleitung dafür. Die Zeichnungen können deswegen ein bisschen abweichen von dem Regal, das Sie aufbauen werden.

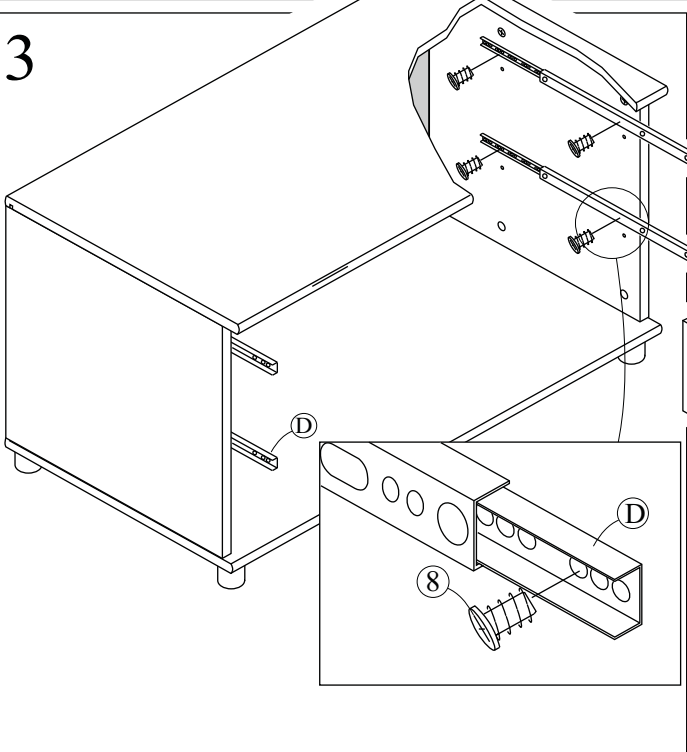


2

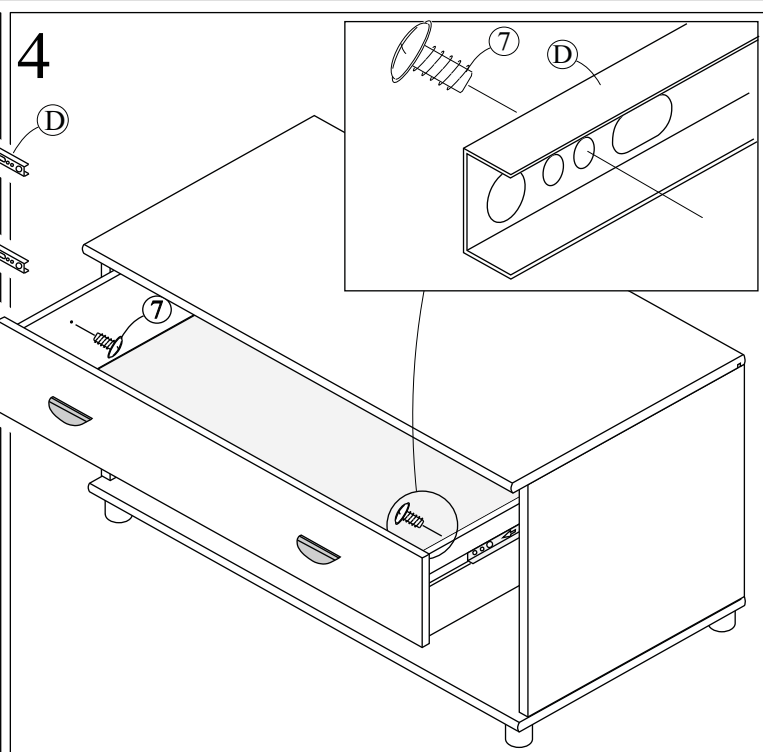


Husk å trekke til alle eksenternutterne !
Remember to tighten all the eccentric houses!
Nicht vergessen: Alle Gehäuse müssen festgezogen werden!

3



4



United Kingdom:

If anything should fail to give satisfaction, please contact your STOMPA stockist with details of any problems with the product. Please quote Art number & serial number on any correspondence.

Stompa UK
The Old Mill House
Dockfield Road, Shipley
West Yorkshire, BD17 7AE
E-mail: stompa@stompa.co.uk
www.stompa.co.uk