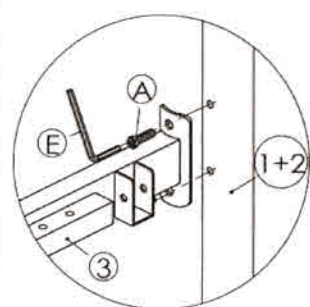
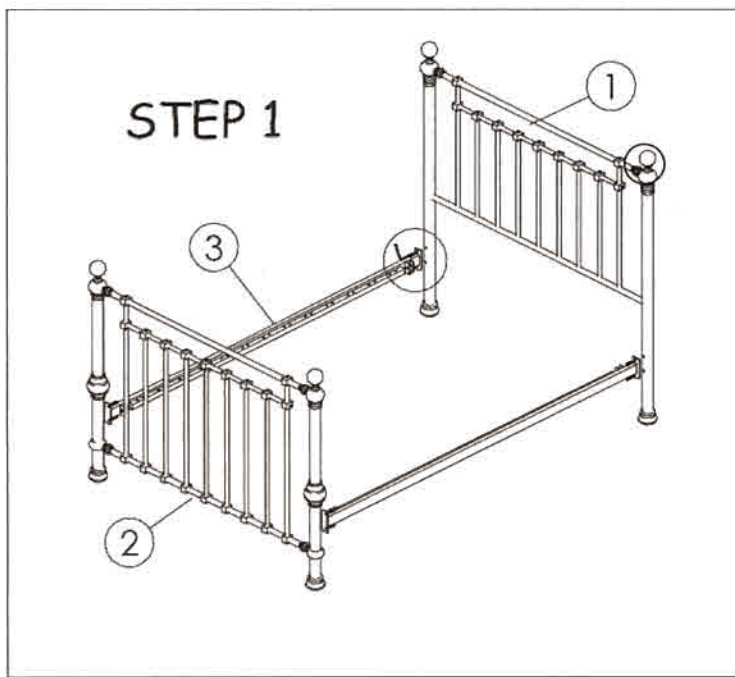




Assembly Instructions

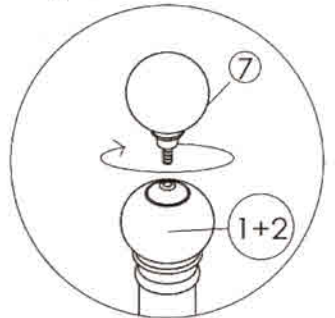
Hardware List		Parts List	
A. M8 x 25 JCBC Screw	8pcs	1. Headboard	1pc
B. 1/4 x 40 JCBC Screw	6pcs	2. Footboard	1pc
C. 1/4 Hex Nut	6pcs	3. Side rails	2pcs
D. M4 Allen Key	1pc	4. Centre Rail	1pc
E. M5 Allen Key	1pc	5. Width Bars	2pcs
F. End slat caps	26pcs	6. Slats	26pcs
G. Centre slat caps	13pcs	7. Finials	4pcs

H. Plastic washer 8pcs Note : Plastic washer go behind side rail before screws.

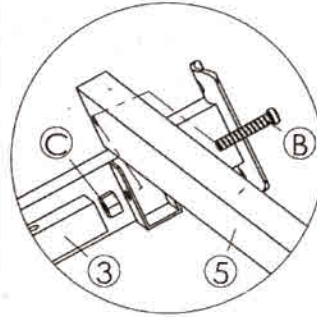
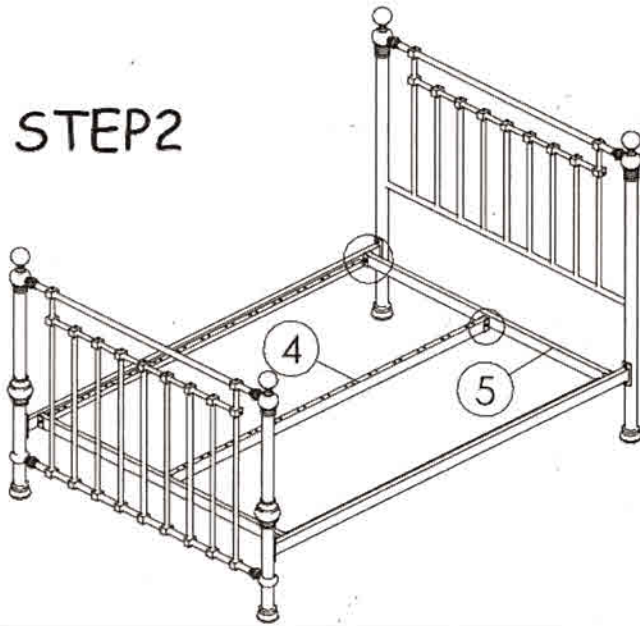


1.1. Attach the side rails (3) to the headboard (1) & footboard (2) with M8 x 25mm screws (A). **Note: Do not fully tighten the screws before assembly is complete.**

1.2 Screw the finials into the headboard (1) & footboard (2). **Note: Ensure finials are not over tightened.**

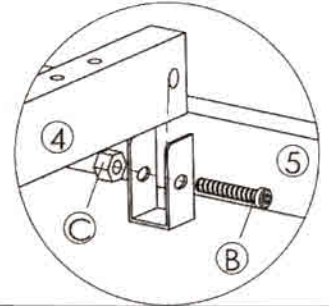


STEP 2

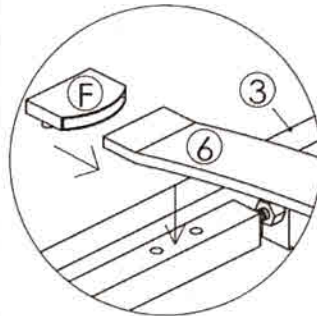


2.1 Place the width bars (5) into their corresponding "U" shaped brackets on the side rails (3). Tightly secure the width bar (5) using the 1/4"x40mm screw (B) and nut (C).

2.2 Place the centre rail (4) into its corresponding "U" shaped brackets on the width bars (5). Tightly secure the centre bar using the 1/4"x40mm screw (B) and Nut (C).

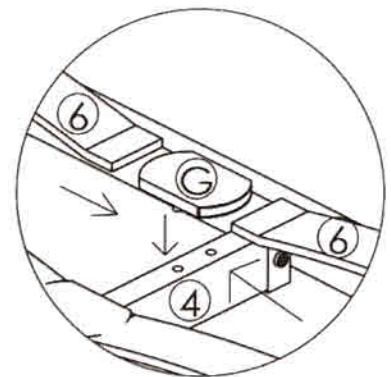


STEP 3



3.1 Insert the slats (6) into the end slat cap (F) and fix it to the corresponding holes on the side rail.

3.2 Slot the first slat (6) into the centre cap (G) and insert a second slat (6) into the centre cap (G) on the opposite side. Attach an end slat cap (F) to the second slat before pressing the caps into the corresponding holes on the centre rail (4) and side rail (3).



Any questions? Call our friendly customer service team on (0115) 9702 137
(Open from 9am-5pm Mon-Fri).