

Read instructions carefully. See hardware and furniture part list for guidance. Be sure all parts are complete before assembly. Place all wooden furniture parts on a clean and flat soft surface to prevent from being scratched. Follow the figure to start assembling.

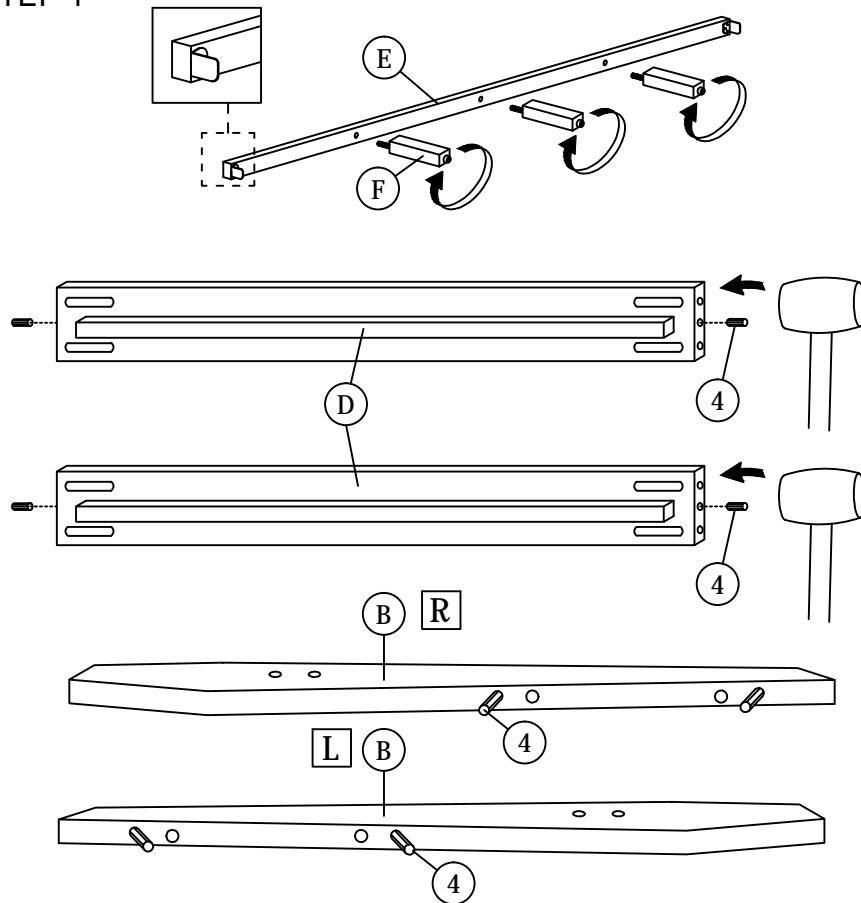
CAUTIONS : 1. Do not FULLY - TIGHTEN the nuts or bolts until all nuts and all are loosely assembled.
 2. Do not OVER - TIGHTEN the nuts or bolts. This causing damage to the threads.
 3. Keep all hardware parts out of reach of children.

Tools needed : Screwdriver & Rubber Mallet (not provided).

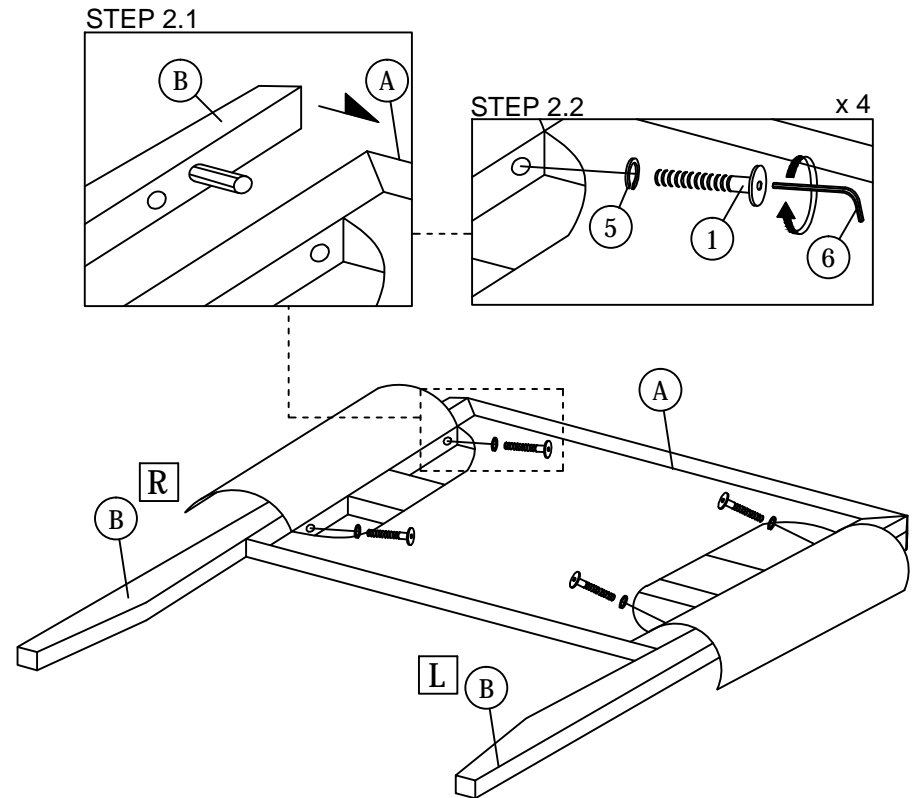
PART LIST		
ITEM	DESCRIPTION	QTY
A	HEADBOARD	1 PC
B	HEADBOARD WOOD L/R	2 PCS
C	FOOTBOARD	1 PC
D	SIDE RAIL	2 PCS
E	CENTER RAIL	1 PC
F	CENTER SUPPORT LEG	3 PCS
G	BED SLAT	1 SET

HARDWARE LIST		
ITEM	DESCRIPTION	QTY
1	JCBC BOLT M6 x 45mm	4 PCS
2	JCBC BOLT M6 x 50mm	9 PCS
3	WOOD SCREW M4 x 38mm	8 PCS
4	WOOD DOWEL M8 x 30mm	8 PCS
5	M6 SPRING WASHER	12 PCS
6	M4 ALLEN KEY (BALL SHAPE)	1 PC

STEP 1

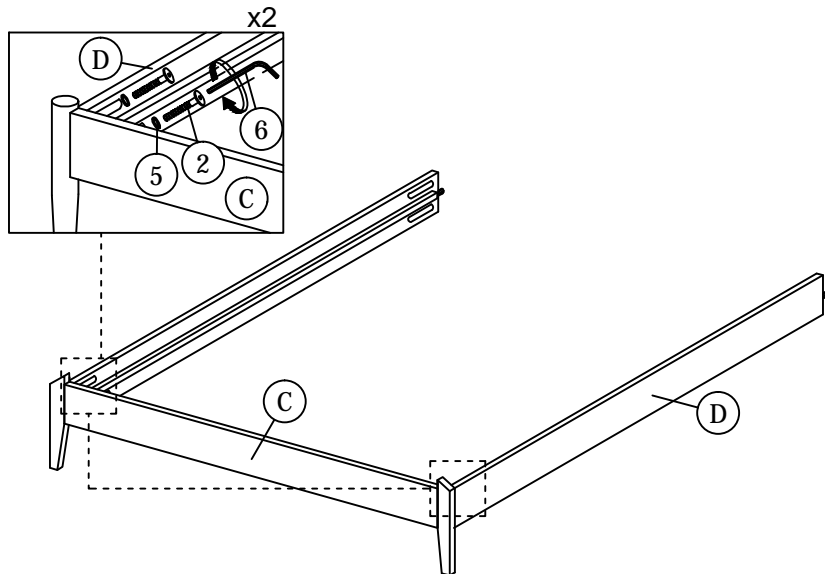
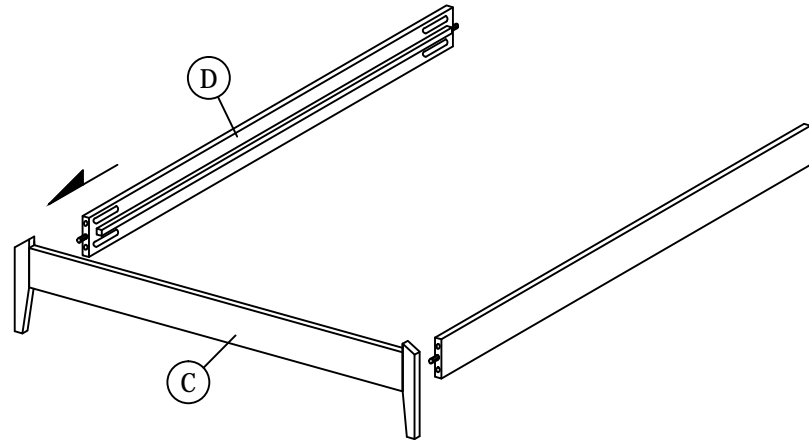


STEP 2

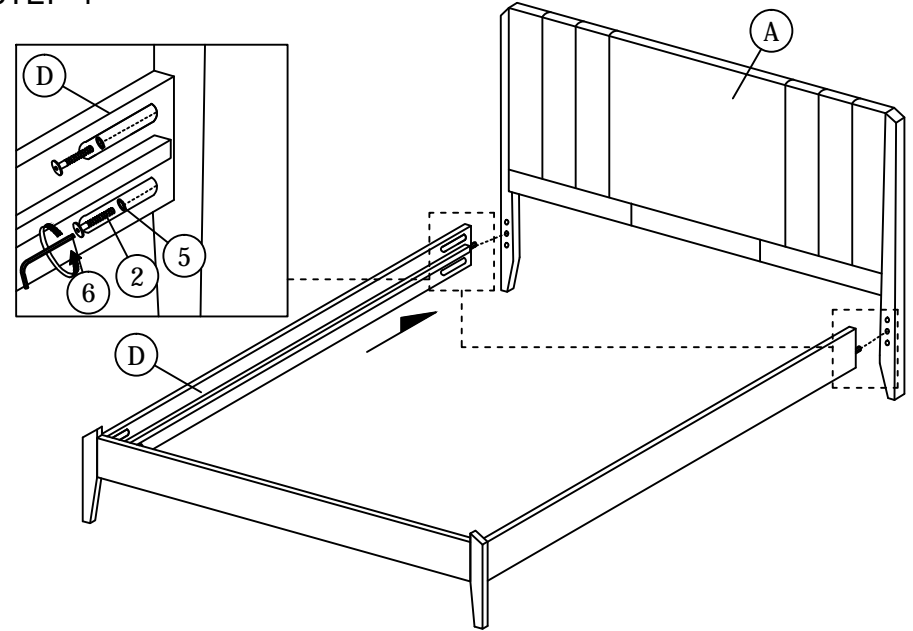


ASSEMBLY INSTRUCTIONS

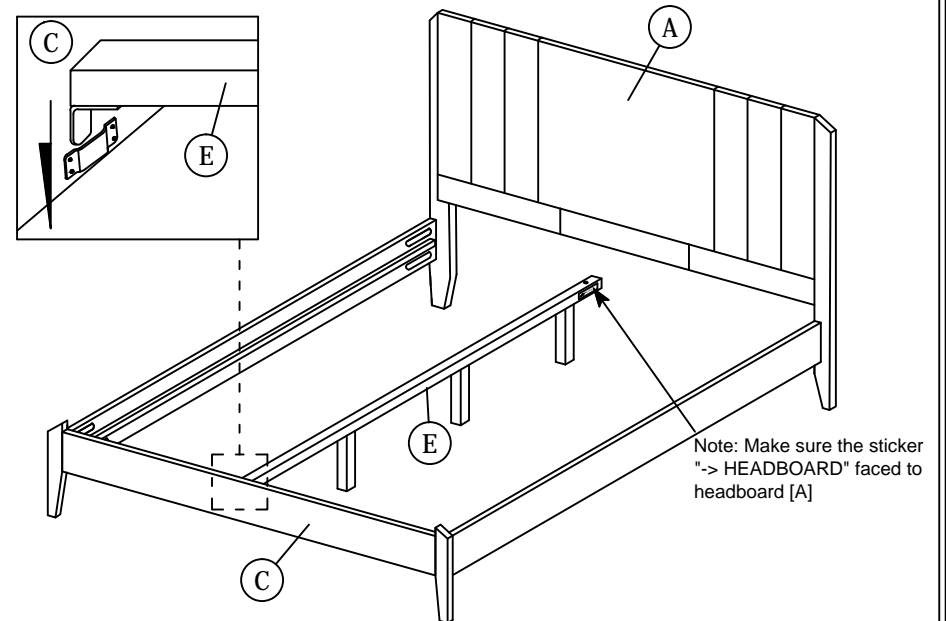
STEP 3



STEP 4

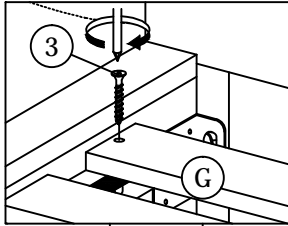


STEP 5

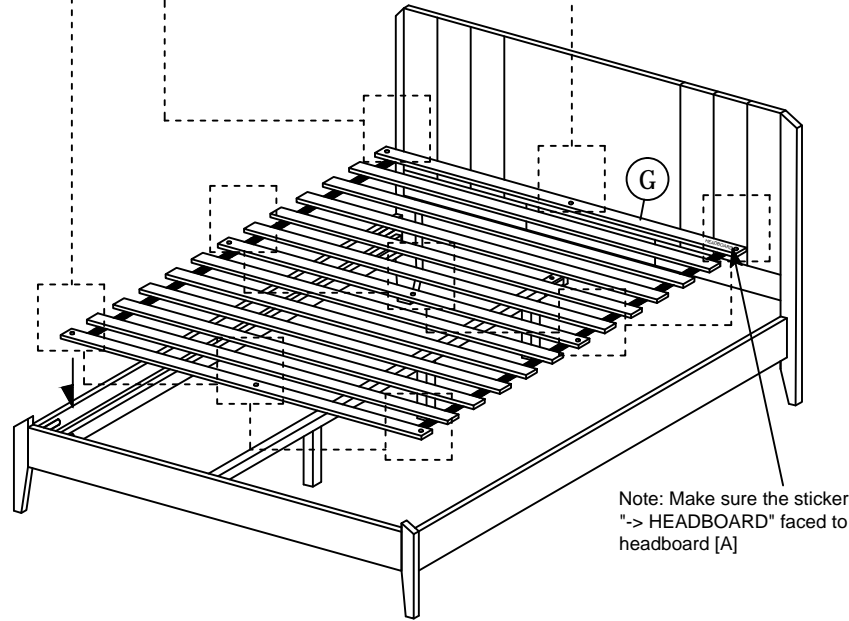
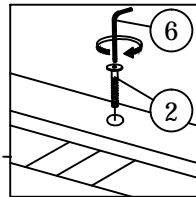


STEP 6

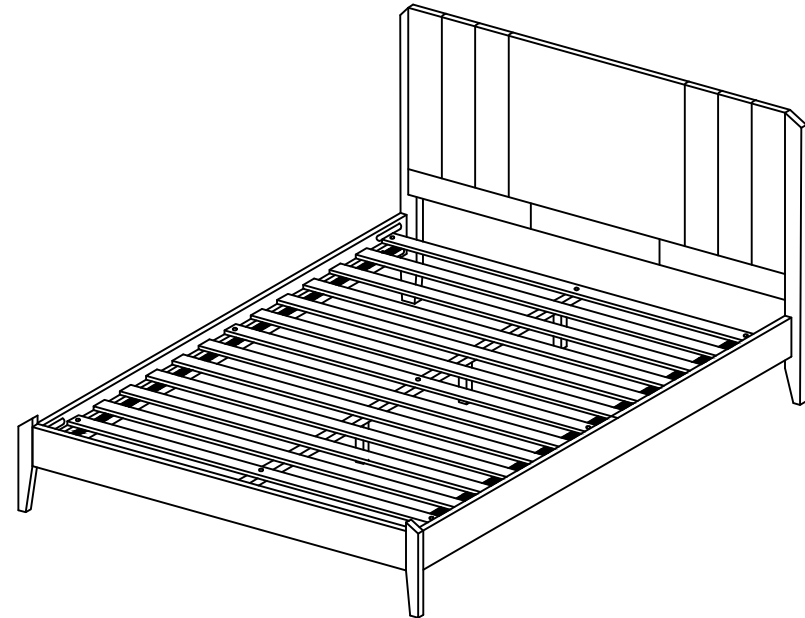
STEP 6.1



STEP 6.2



STEP 7



* When moving the bed position, the center support legs must be adjusted to be straight to avoid any damage.