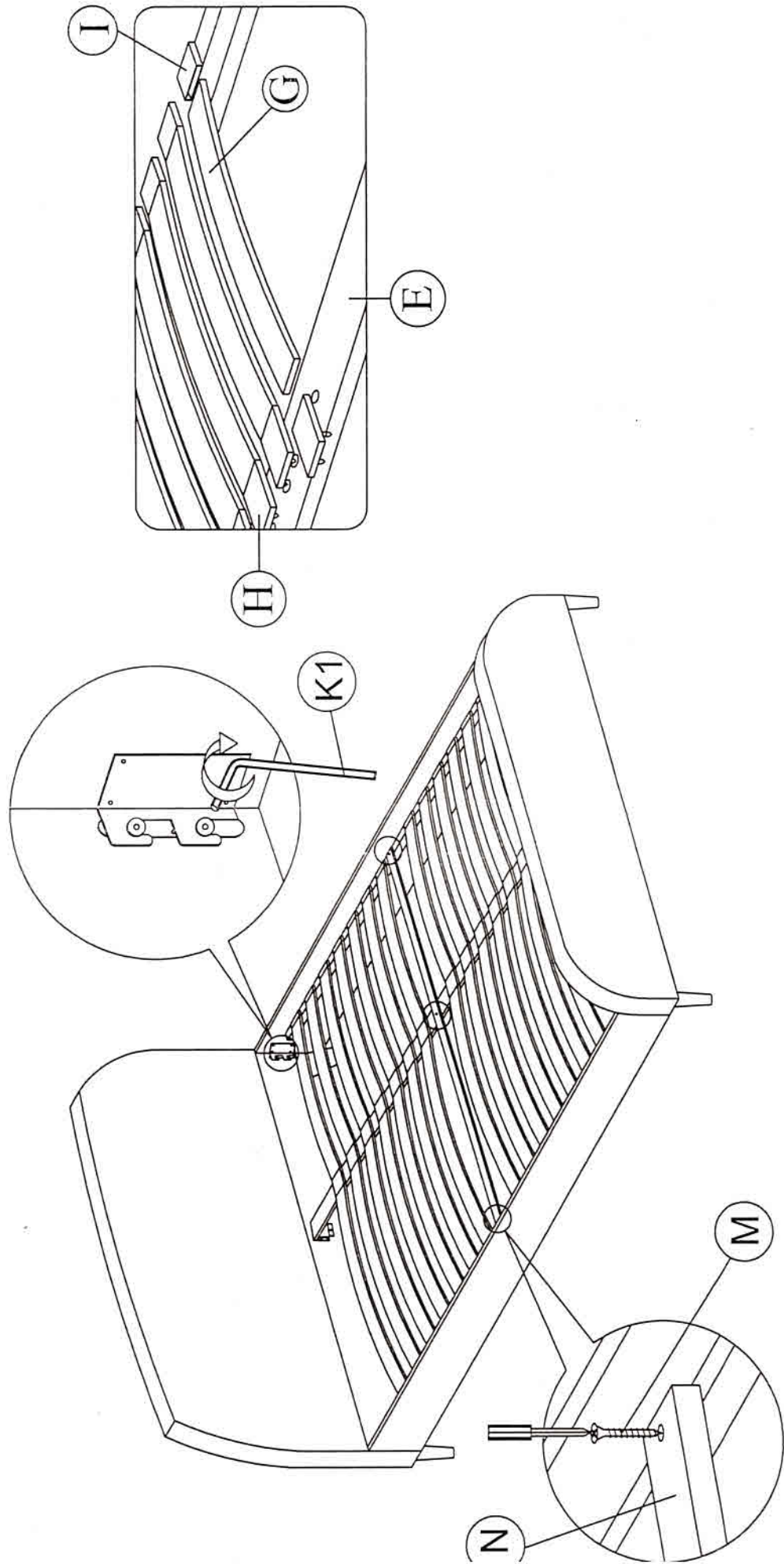


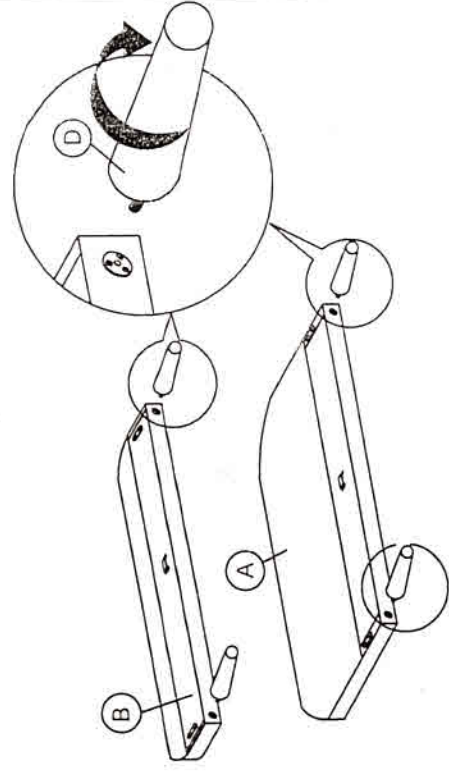
Step 5: Affix the Stiffener Slat (N) to the side rail support wood and the center rail (E). Tighten all the 4 corner, follow by assembly of the slat holders with LVL slats as shown.



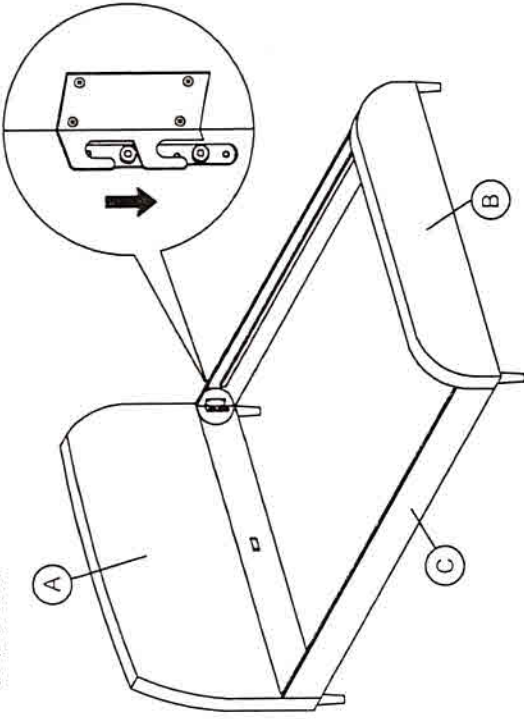
ASSEMBLY INSTRUCTION

MODEL: CF 8814 (5')	
A	1 pc Headboard
B	1 pc Footboard
C	2 pcs Side Rail
D	4 pcs Legs
E	1 pc Center Rail
F	2 pcs Support Leg
G	28 pcs Slat
H	14 pcs Middle Holder
I	28 pcs End Holder
J	2 pcs JCUC M6 X 40
K	1 pc K1 M5 x 7mm MH x 65mm
L	2 pcs CSK M4 x 25mm
M	3 pcs CSK M4 x 32mm
N	1 pc Stiffener Slat (3 Holes)
O	2 pcs Adjuster

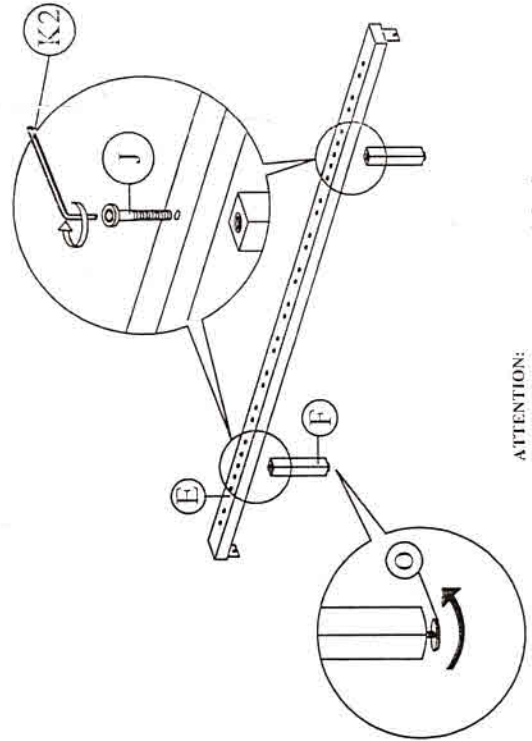
Step 1: Install the legs (D) to footboard (B) and headboard (A)



Step 2: Attach side rail (C) to footboard (B) and headboard (A) by pushing the bracket down to fit it.



Step 3: Attach the support legs (F) to the center rail (E) of the bed as shown.



ATTENTION:
Please keep the adjuster around 5to 8mm distant away from the floor.

Step 4: Slide the center rail (E) to the headboard (A) and footboard (B). Tighten screws (L) using screw driver (not included) to the headboard (A) and footboard (B).

