

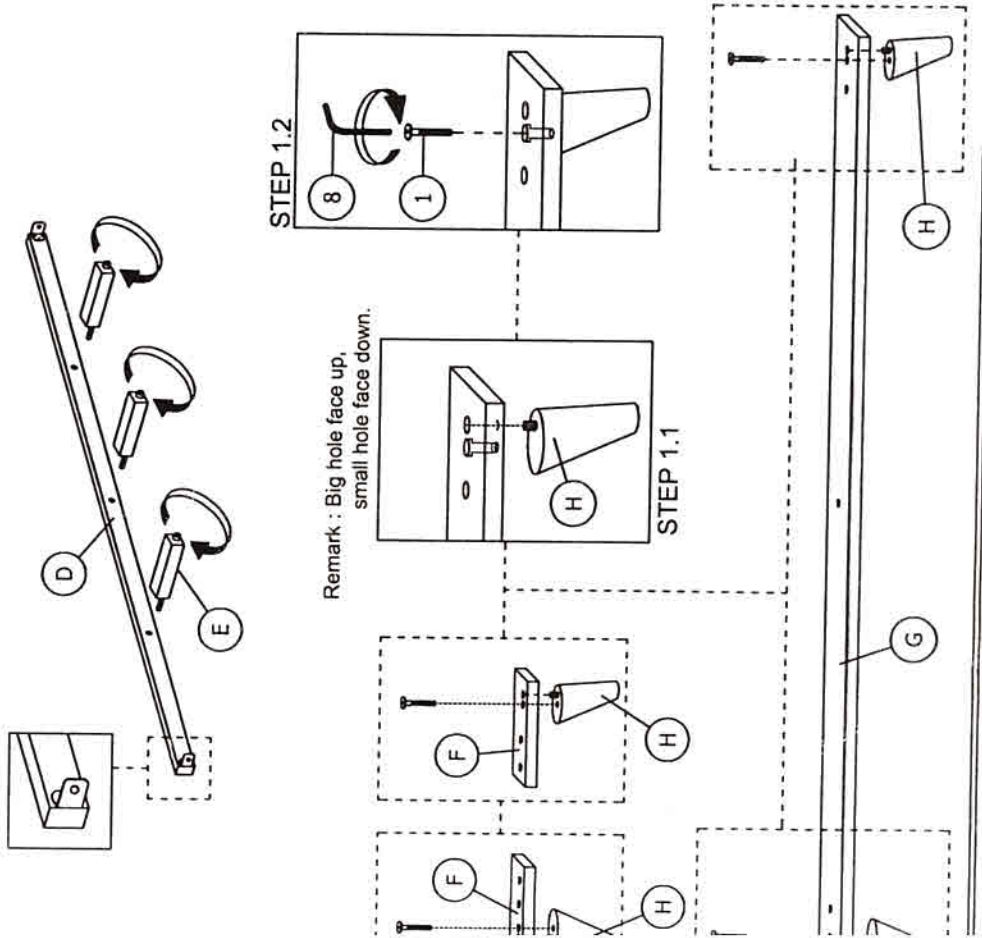
Read this instruction carefully. See hardware and furniture part list for guidance. Ensure all parts are complete, before you assemble. Place all wooden furniture on a clean and flat soft surface to prevent from being scratched. Follow the figure to start assembling.

- INSTRUCTIONS :**
1. Do not FULLY - TIGHTEN the nut or nut bolt until all nut or bolt is ready assembled.
  2. Do not OVER - TIGHTEN the nut or bolt to avoid causing damages to the thread.
  3. Keep all hardware parts out of reach of children.

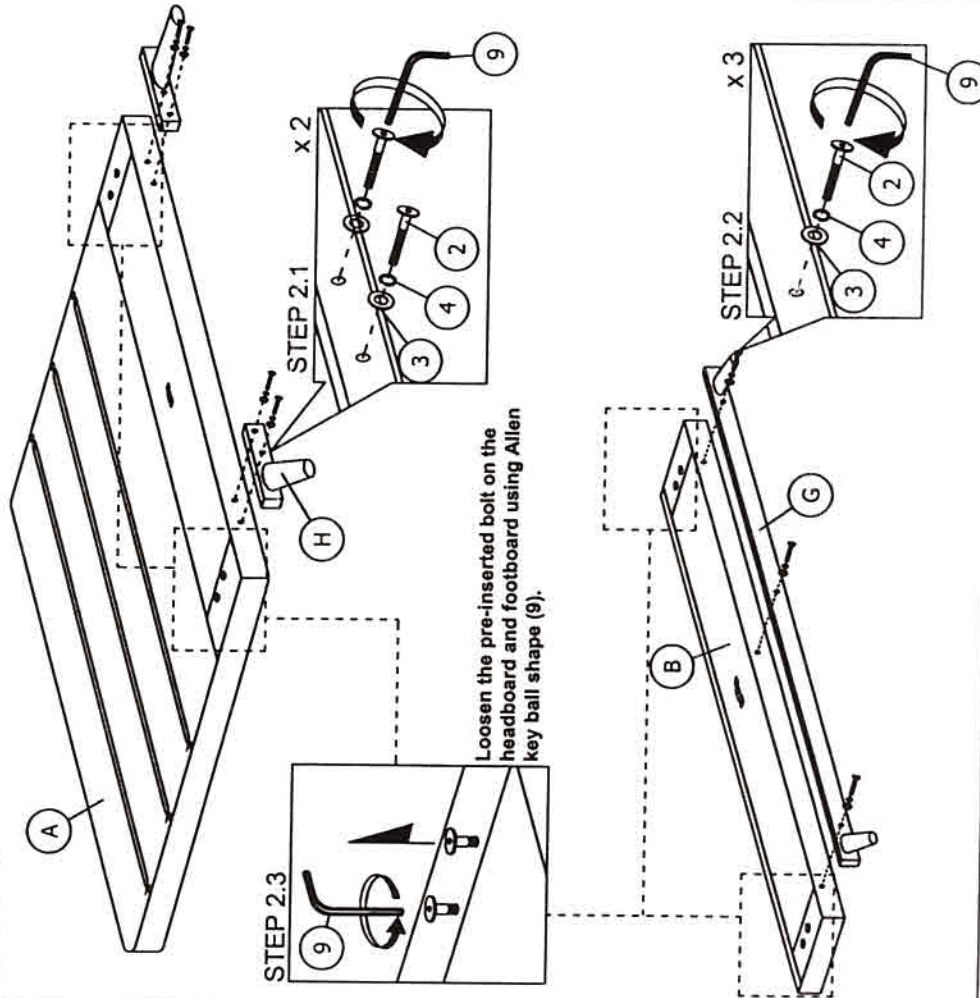
**NOTE :** THE LIST AND QUANTITY SHOWN ARE FOR 1 UNIT ASSEMBLY.  
Tool needed : Screwdriver (not provider).

PART LIST			HARDWARE LIST		
ITEM	DESCRIPTION	QTY	ITEM	DESCRIPTION	QTY
A	HEADBOARD	1 PC	1	JCBC BOLT M6 x 40mm	4 PCS
B	FOOTBOARD	1 PC	2	JCBB BOLT M8 x 40mm	7 PCS
C	SIDE RAIL	2 PCS	3	M8 FLAT WASHER	7 PCS
D	CENTER RAIL	1 PCS	4	M8 SPRING WASHER	7 PCS
E	CENTER SUPPORT LEG	3 PCS	5	WOOD SCREW M3.5 x 16mm	8 PCS
F	HEADBOARD SUPPORT WOOD	2 PCS	6	BED SIDE FITTER	26 PCS
G	FOOTBOARD SUPPORT WOOD	1 PC	7	BED CENTER FITTER	13 PCS
H	BED LEG	4 PCS	8	M4 ALLEN KEY (BALL SHAPE)	1 PC
I	BED SLAT	26 PCS	9	M5 ALLEN KEY (BALL SHAPE)	1 PC
J	CENTER RAIL SUPPORT	2 PC	10	WOOD SCREW M4 X 20mm	2 PCS

**STEP 1**

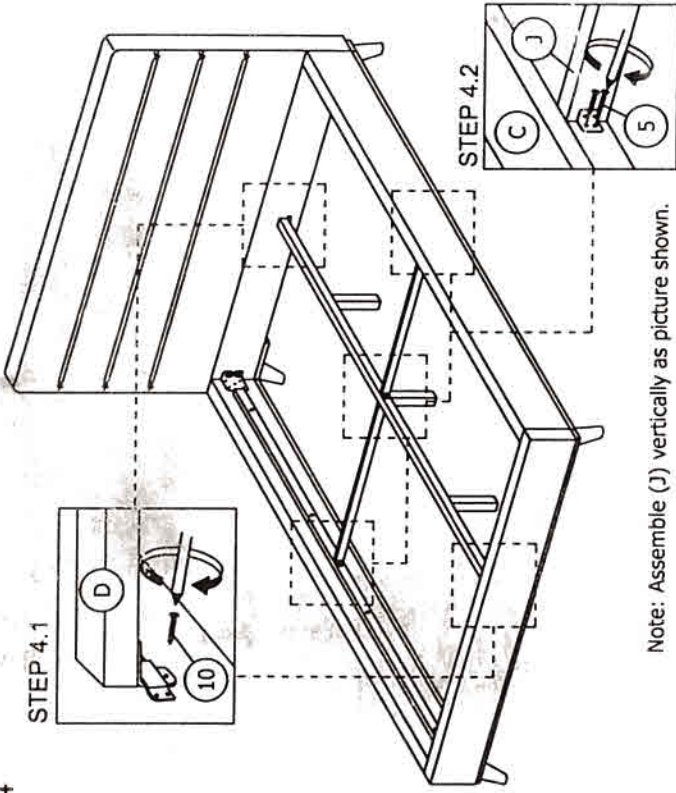


**STEP 2**

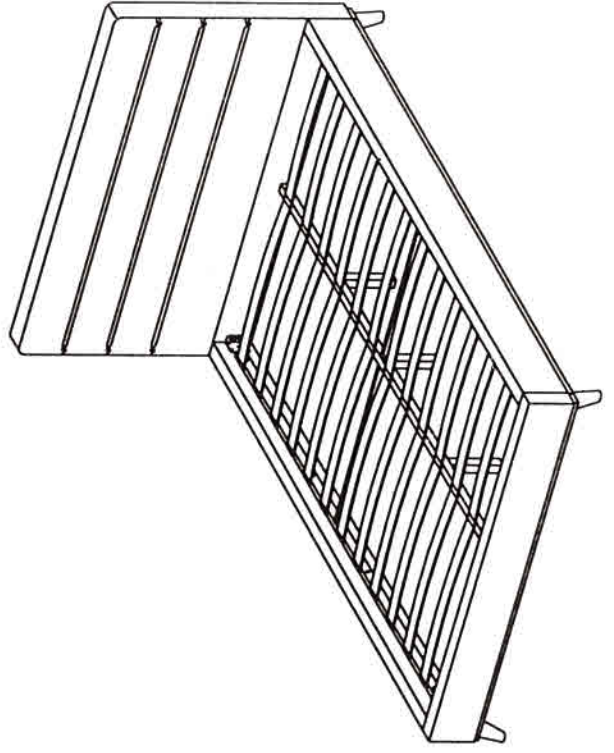


# ASSEMBLY INSTRUCTIONS

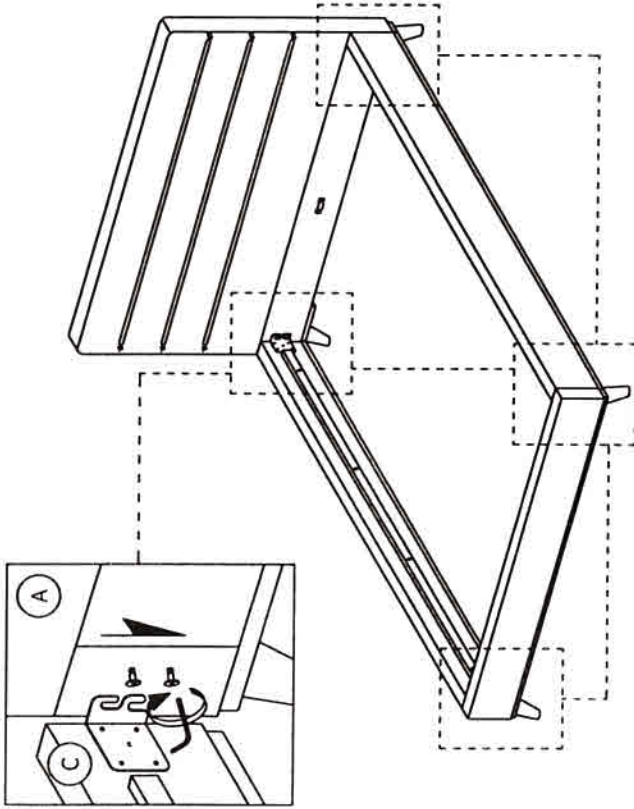
## STEP 4



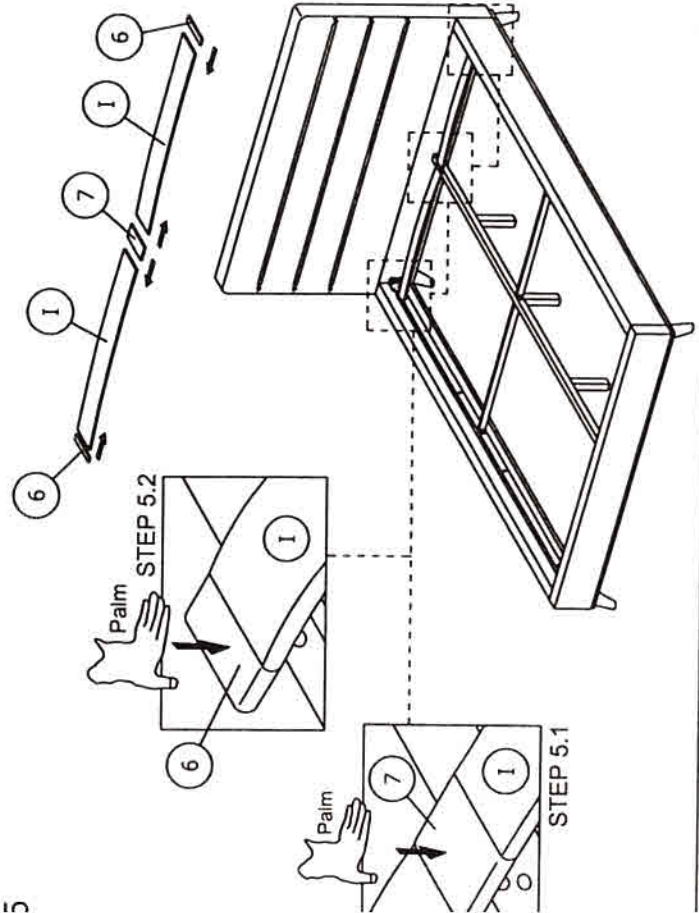
## STEP 6



3



5



\* When moving the bed position, the center support legs must be adjust to be straight to avoid any broken problem.