

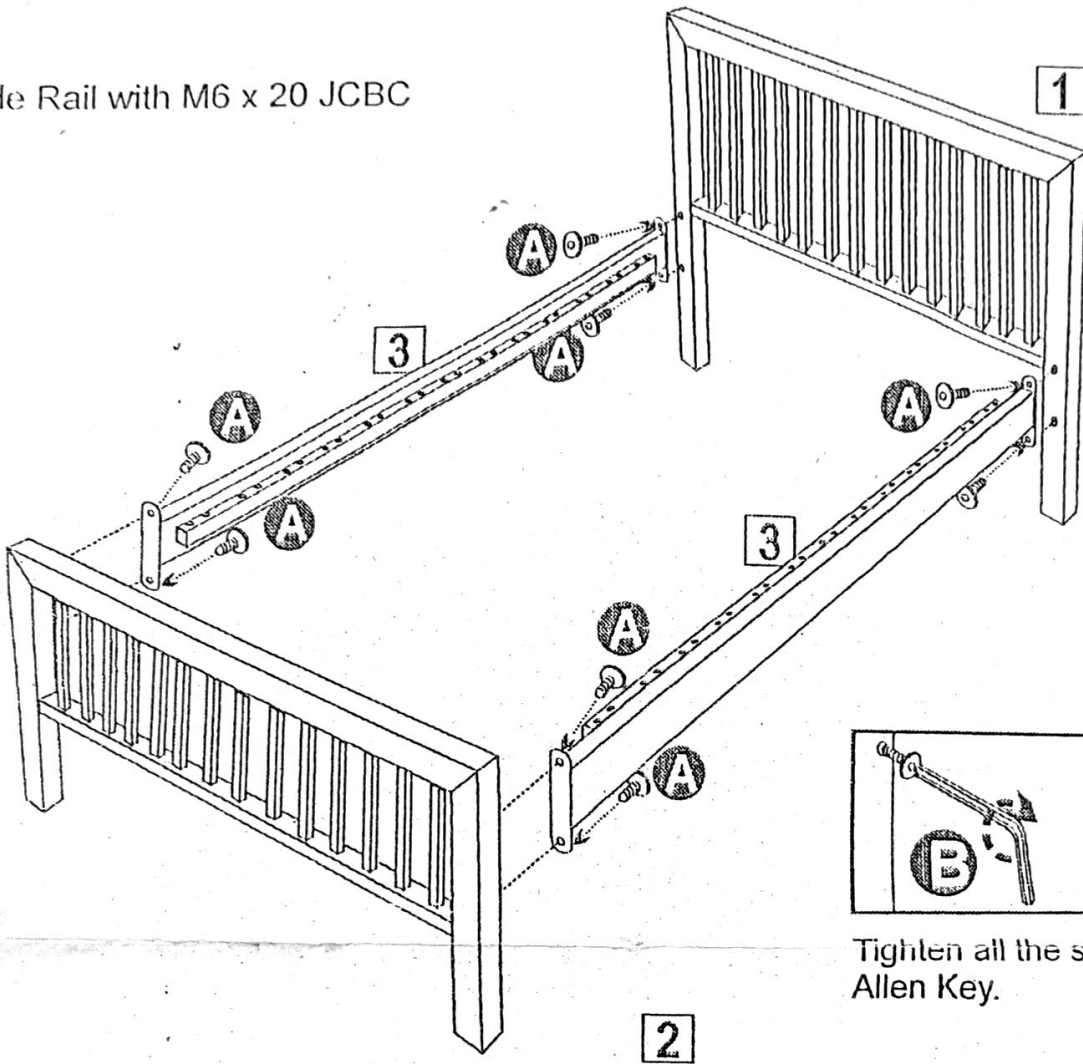
* KINDLY CHECK ALL THE FITTING BEFORE FIXING

MERIDIAN SINGLE BED

Assembly Instruction

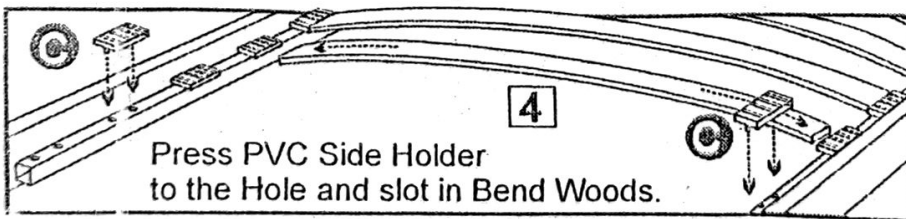
Step 1

Fix Side Rail with M6 x 20 JCBC Screw.

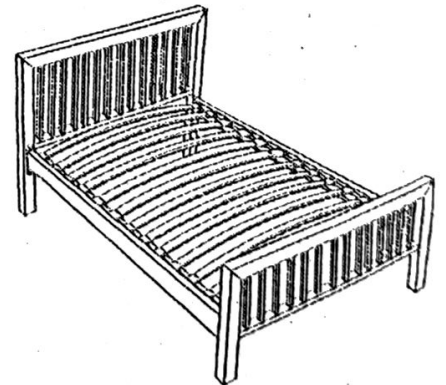


Tighten all the screw with Allen Key.

Step 2



Press PVC Side Holder to the Hole and slot in Bend Woods.



HARDWARE LIST


(A) M6 X 20 JCBC SCREW

(B) M4 ALLEN KEY

(C) PVC SIDE HOLDER

 8 pcs

 1 pcs

 24 pcs

PART LIST

(1) HEADBOARD METAL PANEL 1 pcs

(2) FOOTBOARD METAL PANEL 1 pcs

(3) SIDE RAIL 2 pcs

(4) BEND WOOD 12 pcs