

this instruction carefully. See hardware and furniture part list for guidance. re all parts are complete, before you assemble. Place all wooden furniture on a clean and flat soft surface to prevent from being scratched. y the figure to start assembling.

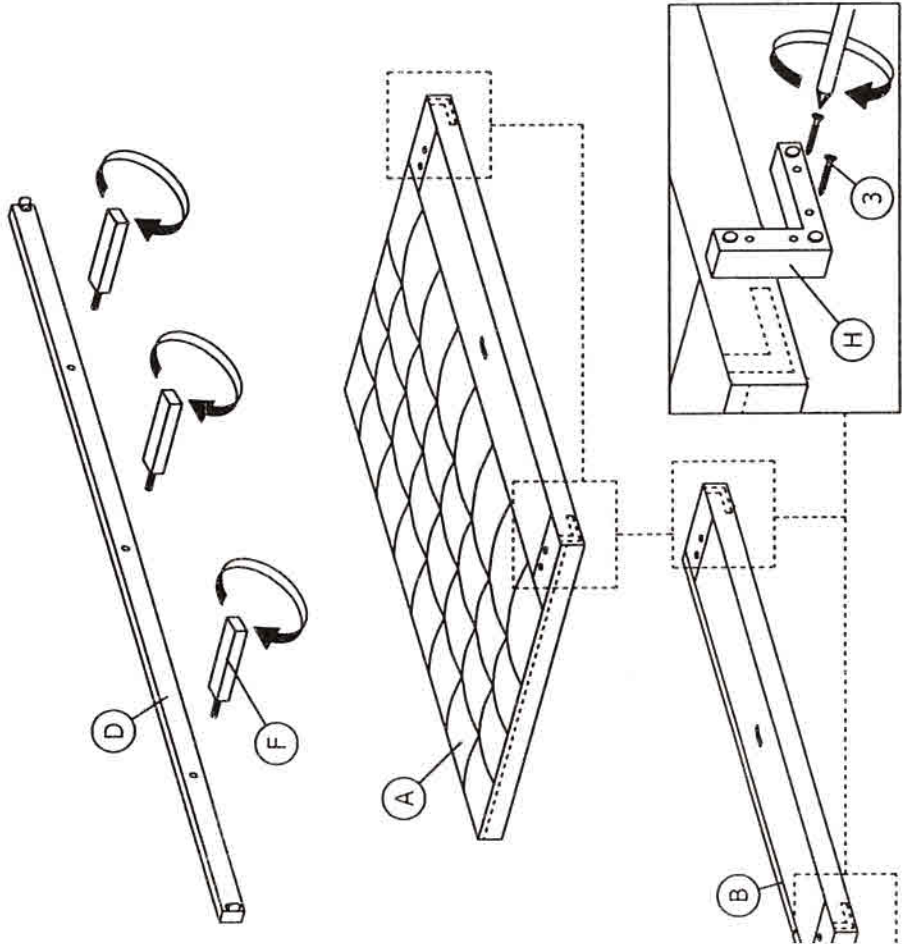
- TIONS :**
1. Do not FULLY - TIGHTEN the nut or nut bolt until all nut or bolt is ready assembled.
  2. Do not OVER - TIGHTEN the nut or bolt to avoid causing damages to the thread.
  3. Keep all hardware parts out of reach of children.

**NOTE :** THE LIST AND QUANTITY SHOWN ARE FOR 1 UNIT ASSEMBLY.  
Tool needed : Screwdriver (not provider).

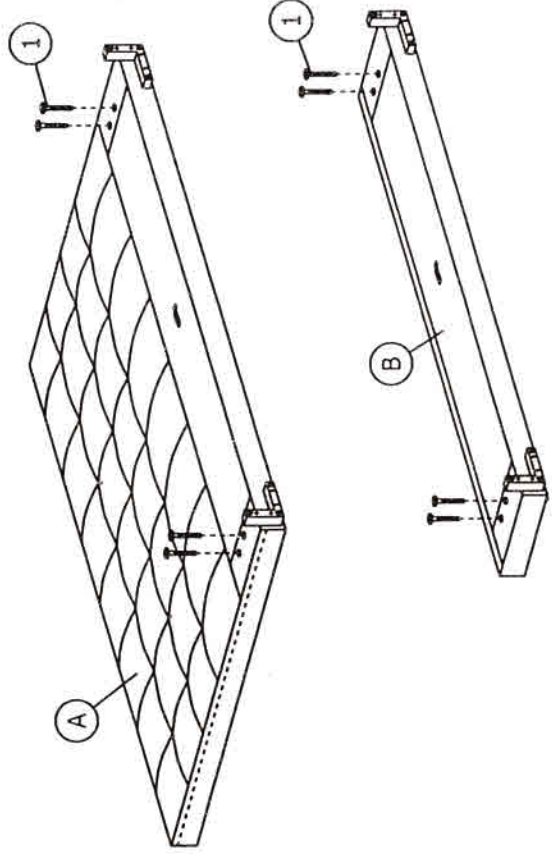
PART LIST		
ITEM	DESCRIPTION	QTY
A	HEADBOARD	1 PC
B	FOOTBOARD	1 PC
C	SIDE RAIL	2 PCS
D	CENTER RAIL	1 PC
E	CENTER SUPPORT	2 PCS
F	CENTER SUPPORT LEG	3 PCS
G	BED SLAT	26 PCS
H	BED LEG	4 PCS

HARDWARE LIST		
ITEM	DESCRIPTION	QTY
1	JCBB BOLT M8 x 40mm	8 PCS
2	WOOD SCREW M3.5 x 16mm	8 PCS
3	WOOD SCREW M4 x 45mm	8 PCS
4	BED SLAT SIDE FITTER	26 PCS
5	BED SLAT CENTER FITTER	13 PCS
6	M5 ALLEN KEY (BALL SHAPE)	1 PC

STEP 2

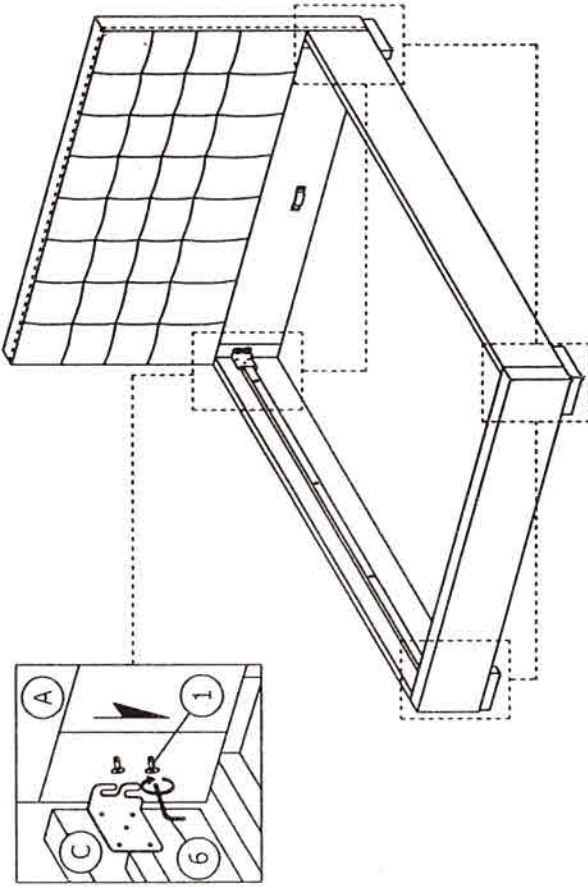


Loosely fit bolt (1) into Headboard (A) & Footboard (B) as picture shown.



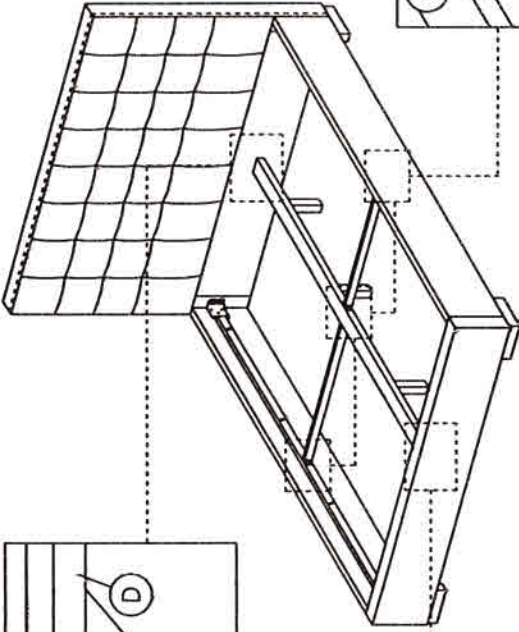
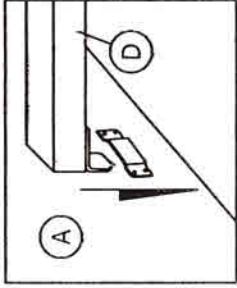
# ASSEMBLY INSTRUCTIONS

3

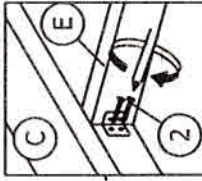


STEP 4

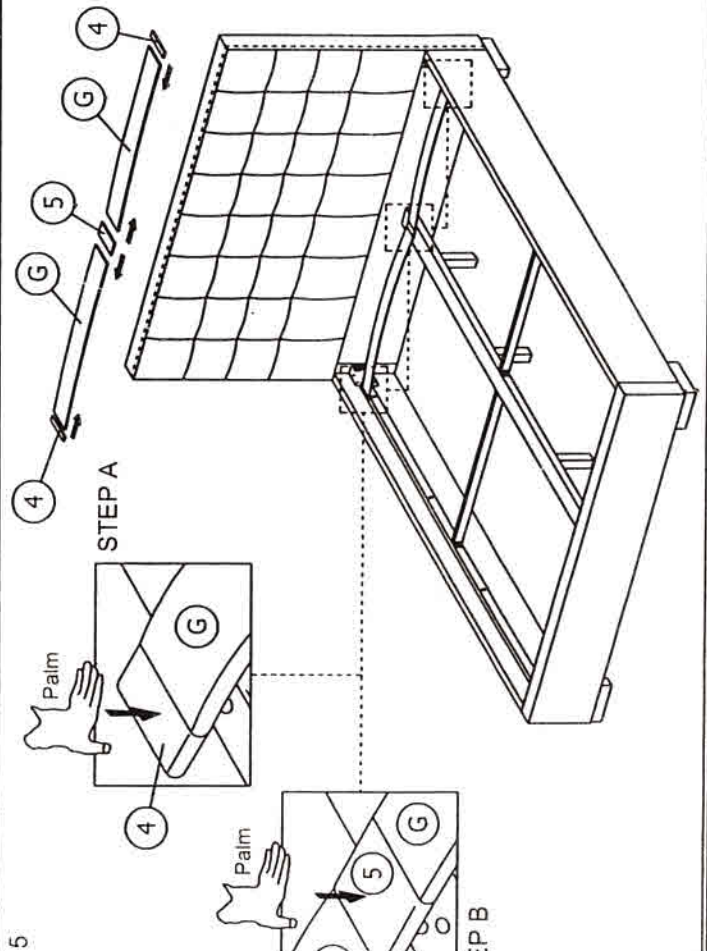
STEP A



STEP B

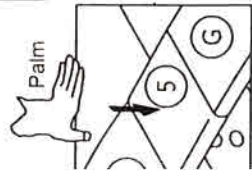


5



STEP 6

STEP A



STEP B

\* When moving the bed position, the center support legs must be adjusted to avoid any broken problem.