

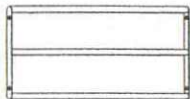
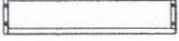









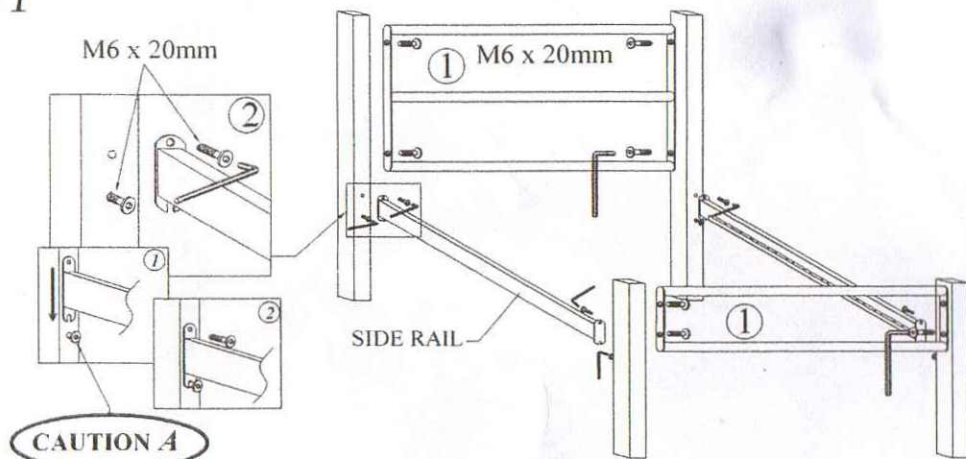


MODEL : WOODEN POST / SPRUNG WOOD BED BASE  
 SIZE : SINGLE BED

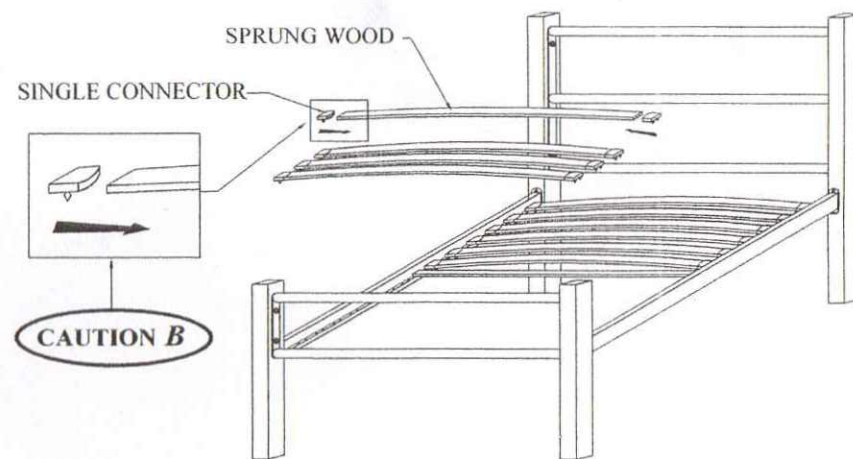
# ASSEMBLY INSTRUCTION

Part List							Hardware					
WOODEN POST	WOODEN POST	HEAD BOARD	FOOT BOARD	SIDE RAIL	CROSS RAIL	SPRUNG WOOD	SINGLE CONNECTOR	M6 X 40mm	M6 X 20mm	M6 HEX NUT	ALLEN KEY M4	SPANNER
												
2 PCS	2 PCS	1 PCS	1 PCS	2 PCS	1 PCS	12 PCS	24 PCS	2 PCS	16 PCS	2 PCS	1 PCS	1 PCS

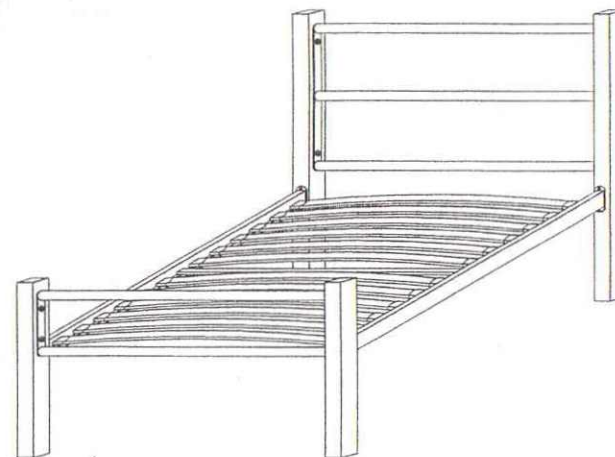
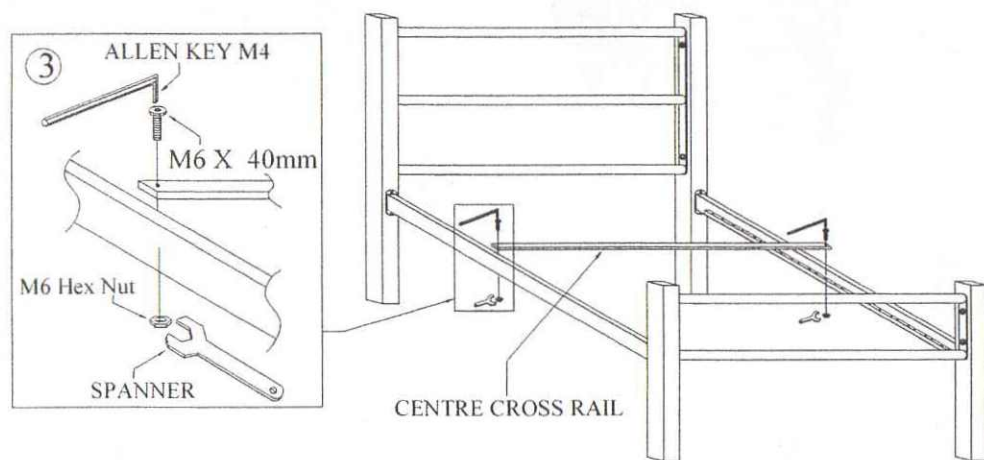
## Step 1



## Step 3



## Step 2



ASSEMBLY COMPLETE

**A**

**CAUTION!**

Do not tight screw, left around 5mm before completely assembled.

**B**

**CAUTION!**

Make sure sprung wood is fully push tightly into single connector, if not by slowly knock single connector until tight into sprung wood.

**IMPORTANT!**

• Tighten all screw and complete product as shown  
 • "Ensure cross rails are located in the side rails before placing the mattress on the bed frame"